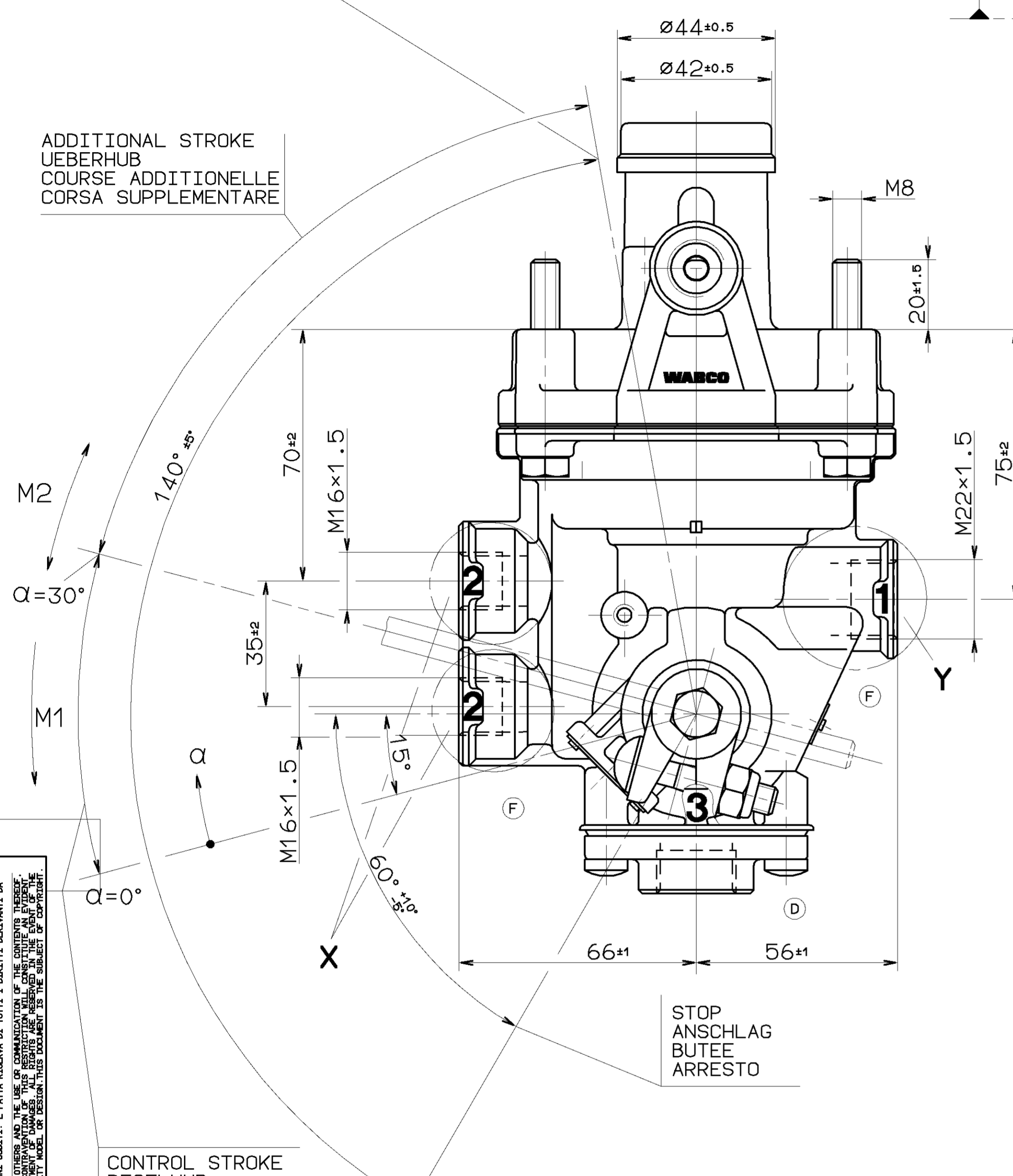
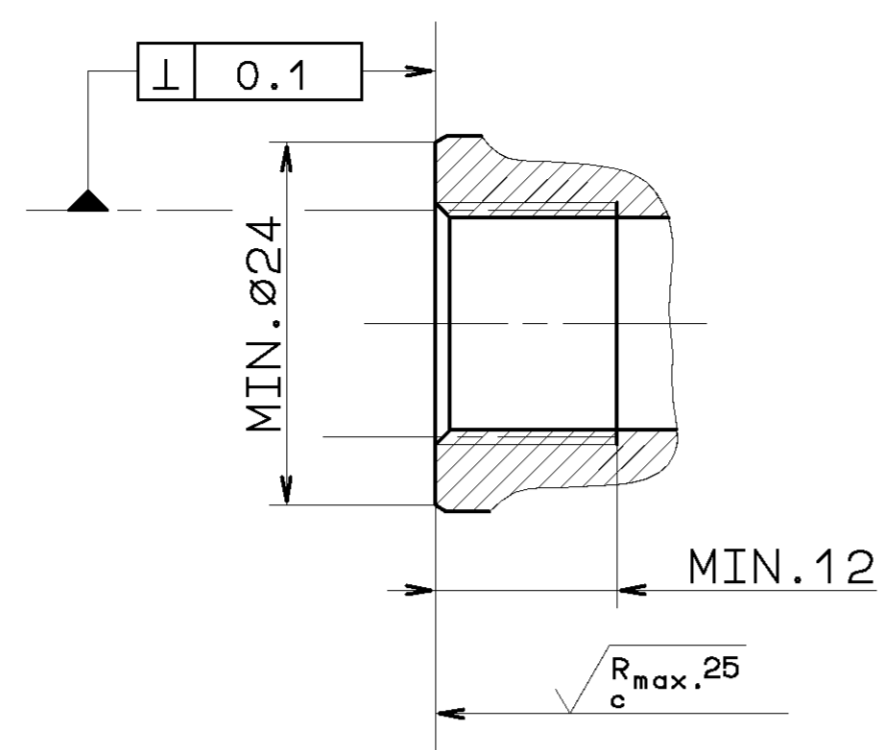


LIMITING STOP IN CASE OF ROD BREAKAGE  
 ANSCHLAG BEI GESTÄNGEBRUCH  
 BUTÉE (LIMITANT) EN CAS DE RUPTURE DU TRINGLAGE  
 POSIZIONE D'ARRESTO IN CASO DI ROTTURA DELL'ASTA

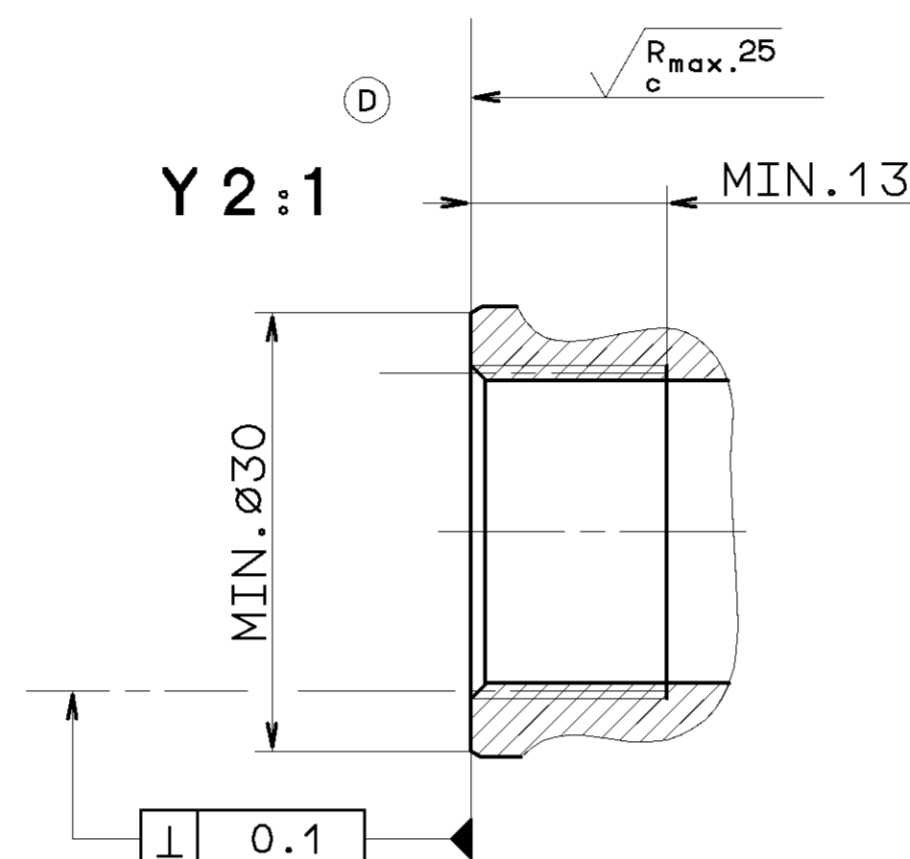
ADDITIONAL STROKE  
 UEBERHUB  
 COURSE ADDITIONNELLE  
 CORSA SUPPLEMENTARE



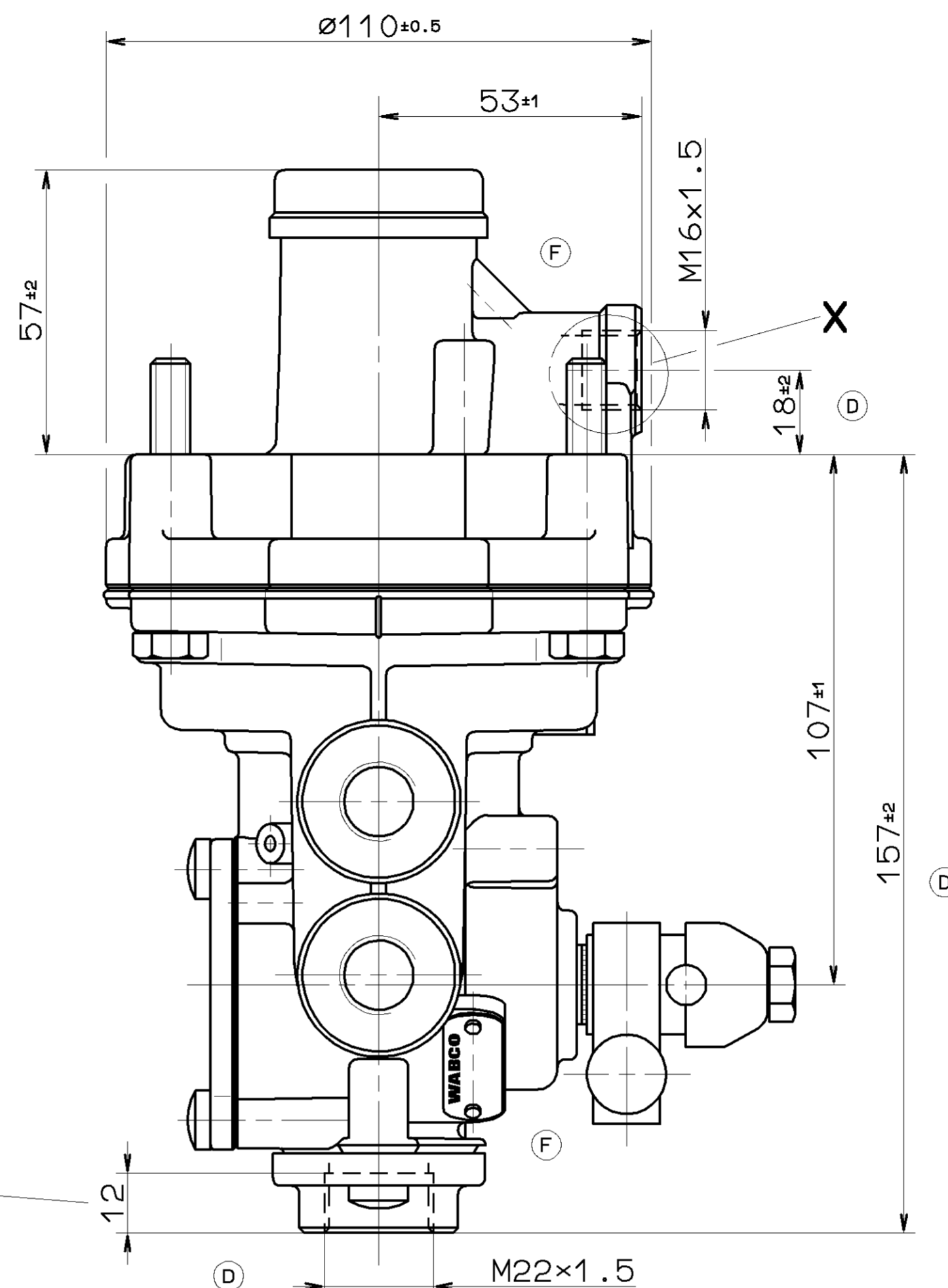
X 2:1



Y 2:1



MAX. DEPTH OF ENGAGEMENT  
 MAX. EINSCHRAUBTIEFE  
 PROFONDEUR MAX DE SERRAGE  
 PROFONDITA MAX DI SERRAGGIO



WORKING PRESSURE:  
 BETRIEBSDRUCK: MAX. p<sub>e</sub> 10bar  
 PRESSION DE SERVICE:  
 PRESSIONE D'ESERCIZIO:

THERMAL RANGE OF APPLICATION:  
 THERMISCHER ANWENDUNGSBEREICH: -40°...+80° C  
 GAMME D'APPLICATION THERMIQUE:  
 CAMPO DI APPLICAZIONE TERMICA:

MEDIUM: AIR  
 MEDIUM: LUFT  
 FLUIDE: AIR  
 FLUIDO: ARIA

1 = SUPPLY  
 VORRAT  
 ALIMENTATION  
 ALIMENTAZIONE

2 = DELIVERY PRESSURE  
 AUSGESTEUERTER DRUCK  
 PRESSION DELIVREE  
 PRESSIONE EROGATA

3 = EXHAUST  
 ENTLUEFTUNG  
 ECHAPPEMENT  
 SCARICO

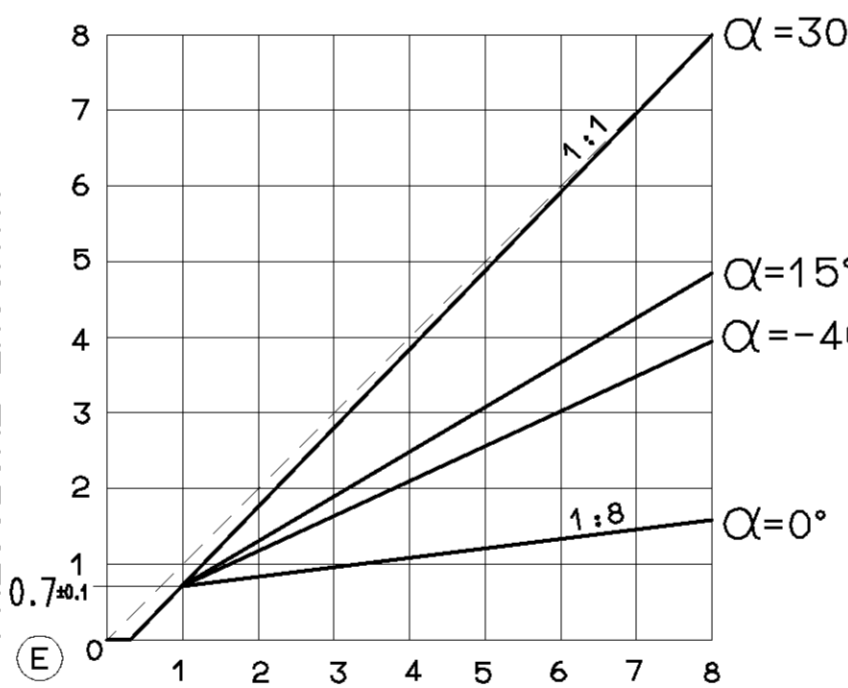
4 = CONTROL PRESSURE  
 STEUERDRUCK  
 PRESSION DE COMMANDE  
 PRESSIONE DI COMANDO

INSTALLATION POSITION AS DRAWN  
 EINBAULAGE WIE GEZEICHNET  
 POSITION D'INSTALLATION SUIVANT DESSIN  
 POSIZIONE DI MONTAGGIO COME DISEGNATO

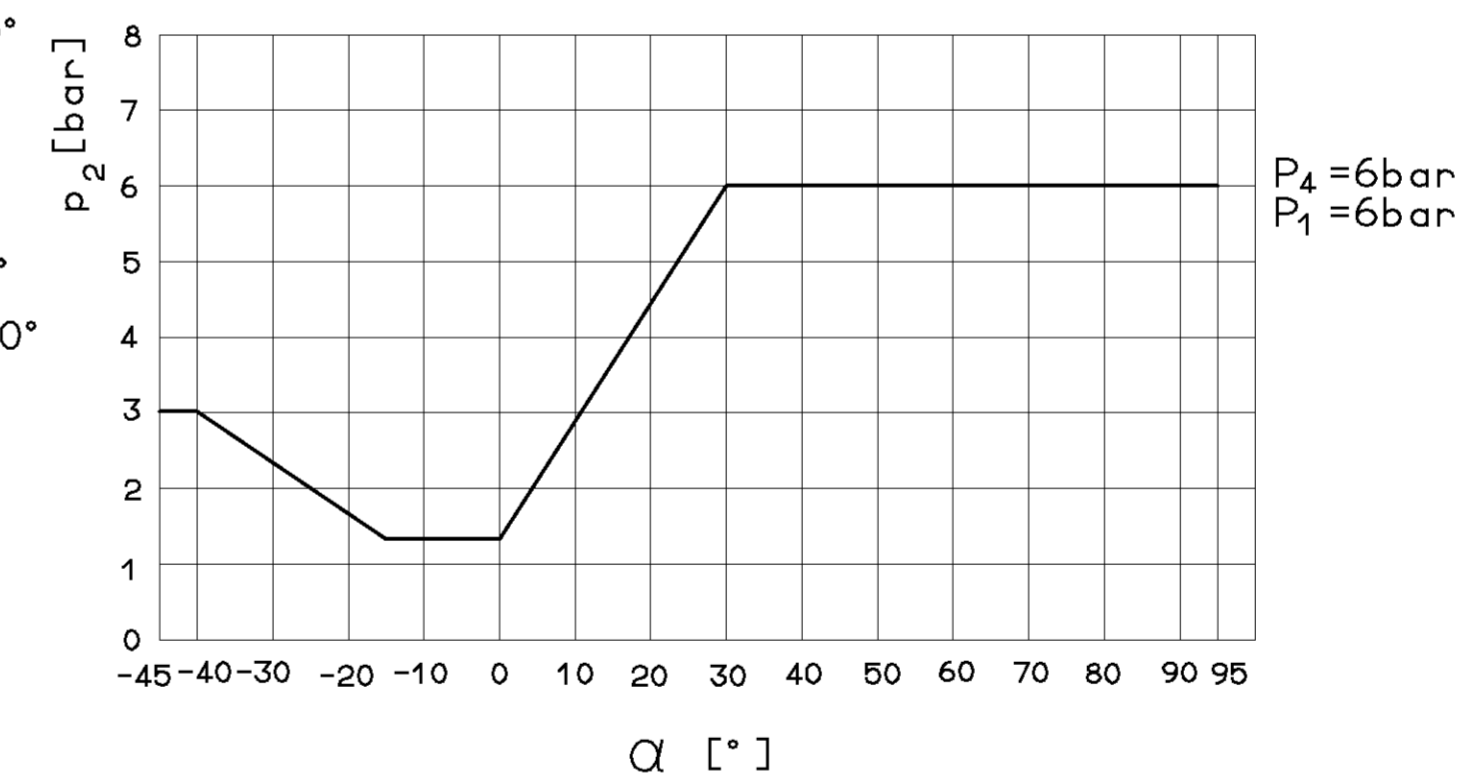
NECESSARY DISPLACING MOMENT:  
 ERFORDERLICHES VERSTELLMOMENT: 1.8 Nm (p<sub>4</sub>=6bar)  
 COUPLE NECESSAIRE AU MOUVEMENT:  
 COPPIA DI REGOLAZIONE NECESSARIA:

ADMISSIBLE DISPLACING MOMENT:  
 ZULAESSIGES VERSTELLMOMENT: 20 Nm  
 ADMISSIBLE MAXI AU MOUVEMENT:  
 COPPIA DI REGOLAZIONE AMMESSA:

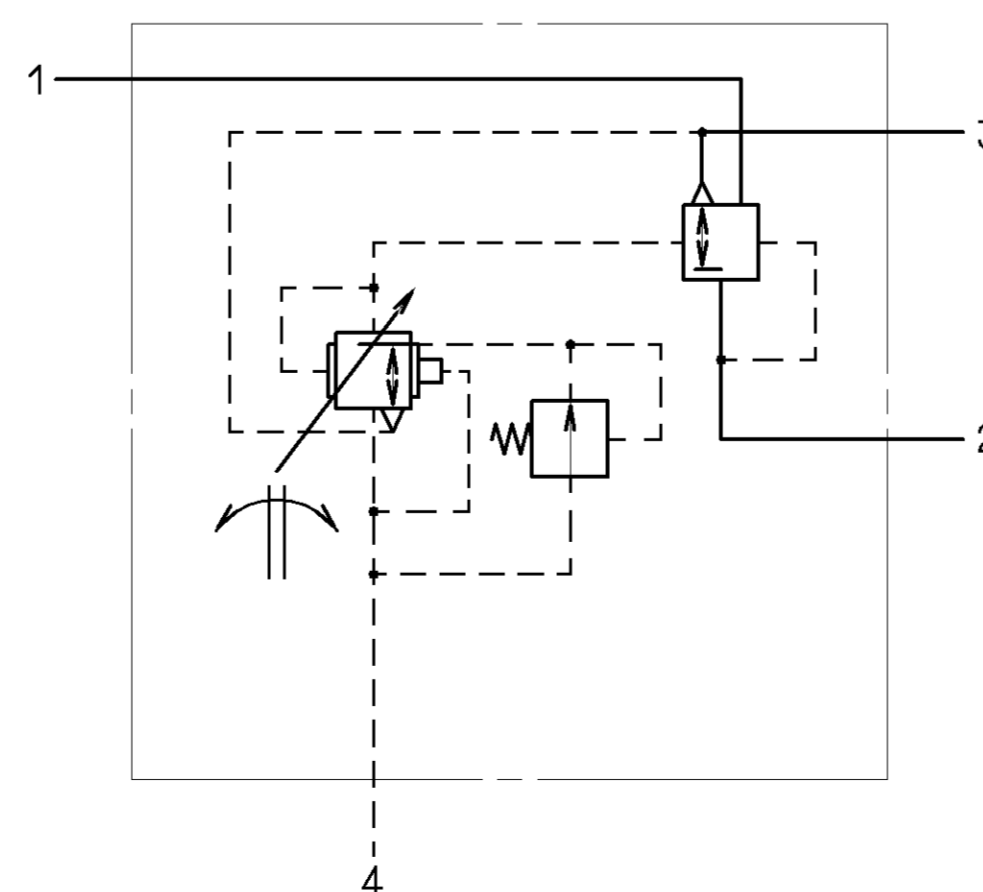
DELIVERY PRESSURE  
 AUSGESTEUERTER DRUCK p<sub>2</sub> [bar]  
 PRESSION DELIVREE  
 PRESSIONE EROGATA



CONTROL PRESSURE  
 STEUERDRUCK  
 PRESSION DE COMMANDE p<sub>4</sub> [bar]  
 PRESSIONE DI COMANDO



TORQUE:  
 ANZUGSMOMENT: M=20 Nm  
 COUPLE DE SERRAGE:  
 COPPIA DI SERRAGGIO:



GENERAL SPECIFICATION: JED-034	
FURTHER TECHNICAL DATA:	
DOC. CODE:	SHEET: TO
GENERAL TOLERANCES	
RANGE OF NOMINAL DIMENSIONS (± mm)	
CLASS	1) 0,5 ≤ 50 < 180 ≤ 400 > 400
FINE	0,5 1,0 1,5 2,0
MEDIUM	1,0 2,0 3,0 4,0
COARSE	2,0 3,5 5,0 6,5
TAPPED HOLES ACC. ISO 4039 / JED-162	
DRW-NO.	REV. DATE
1) TOLERANCE CLASS APPLIED CROSSMARKED	

CAD-DRAWING COPYRIGHT		<b>WABCO</b>	
DATE	SIGNATURE	DRAWN:	HAUKE
86-12-01		CHECKED:	FAUCK KIEL
STANDARDIZATION:		HEINE	
PRODUCT IDENTIFICATION NO.		DOC. CODE	SHEET
475 710 031 0		605	1/1
REPLACEMENT FOR	475 710 031 0	OF 83-09-16	
SHAPE CODE	592	EXPERT CODE 7142	
PRODUCT TYPE		000	