

LIMITING STOP IN CASE OF ROD BREAKAGE  
ANSCHLAG BEI GESTÄNGEBRUCH  
BUTÉE (LIMITANT) EN CAS DE RUPTURE DU TRINGLAGE  
POSIZIONE D' ARRESTO IN CASO DI ROTTURA DELL' ASTA

WORKING PRESSURE:  
BETRIEBSDRUCK: \*  
PRESSION DE SERVICE:  
PRESSIONE D' ESERCIZIO:

THERMAL RANGE OF APPLICATION:  
THERMISCHER ANWENDBEREICH:  
GAMME D' APPLICATION THERMIQUE: -45°...+80° C  
CAMPO DI APPLICAZIONE TERMICA:

MEDIUM: AIR  
MEDIUM: LUFT  
FLUIDE: AIR  
FLUIDO: ARIA

SUPPLY \* MAX. p<sub>e</sub> 13bar  
1= VORRAT  
ALIMENTATION \*  
ALIMENTAZIONE

2= DELIVERY PRESSURE  
AUSGESTEUERTER DRUCK  
PRESSION DELIVREE  
PRESSIONE EROGATA

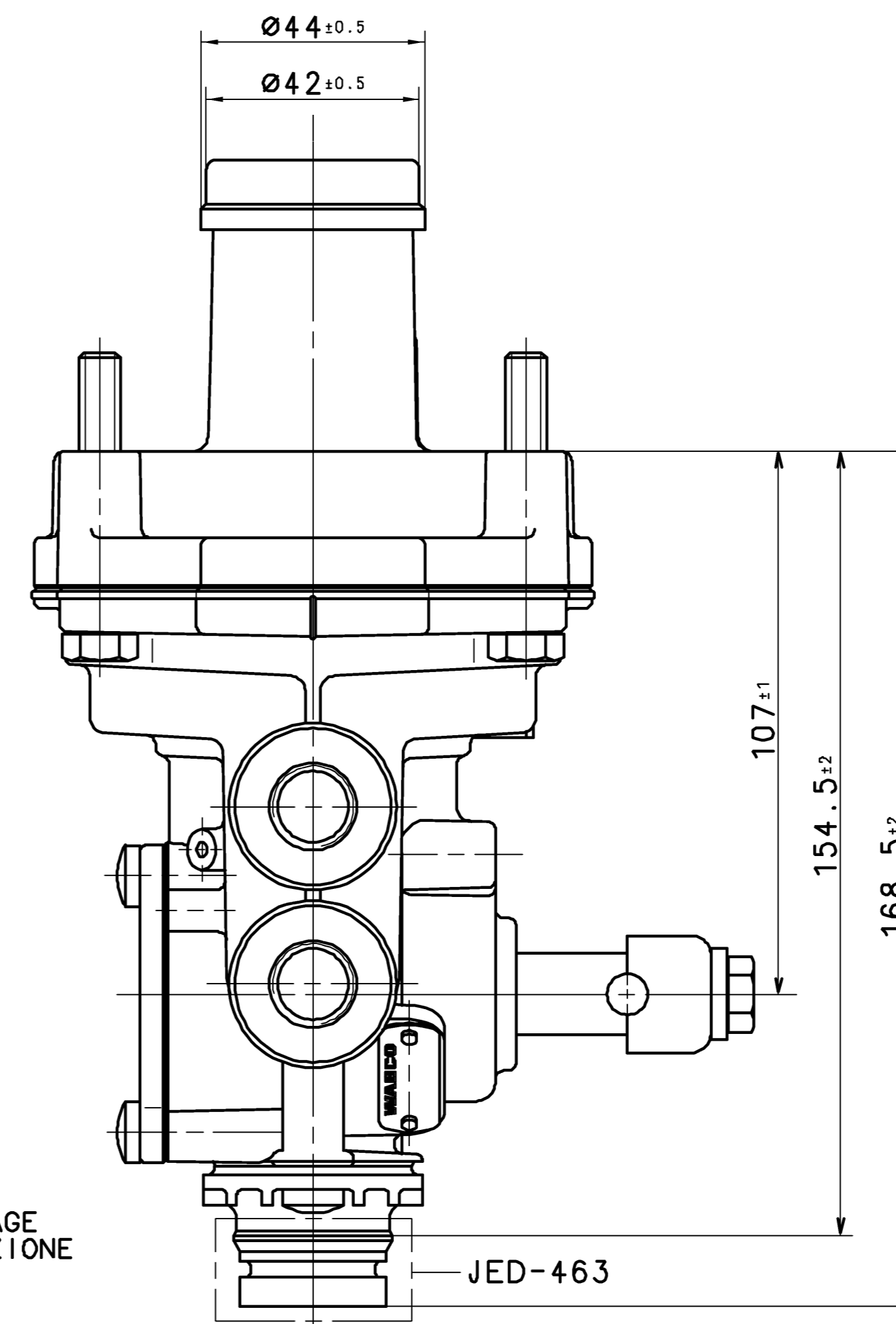
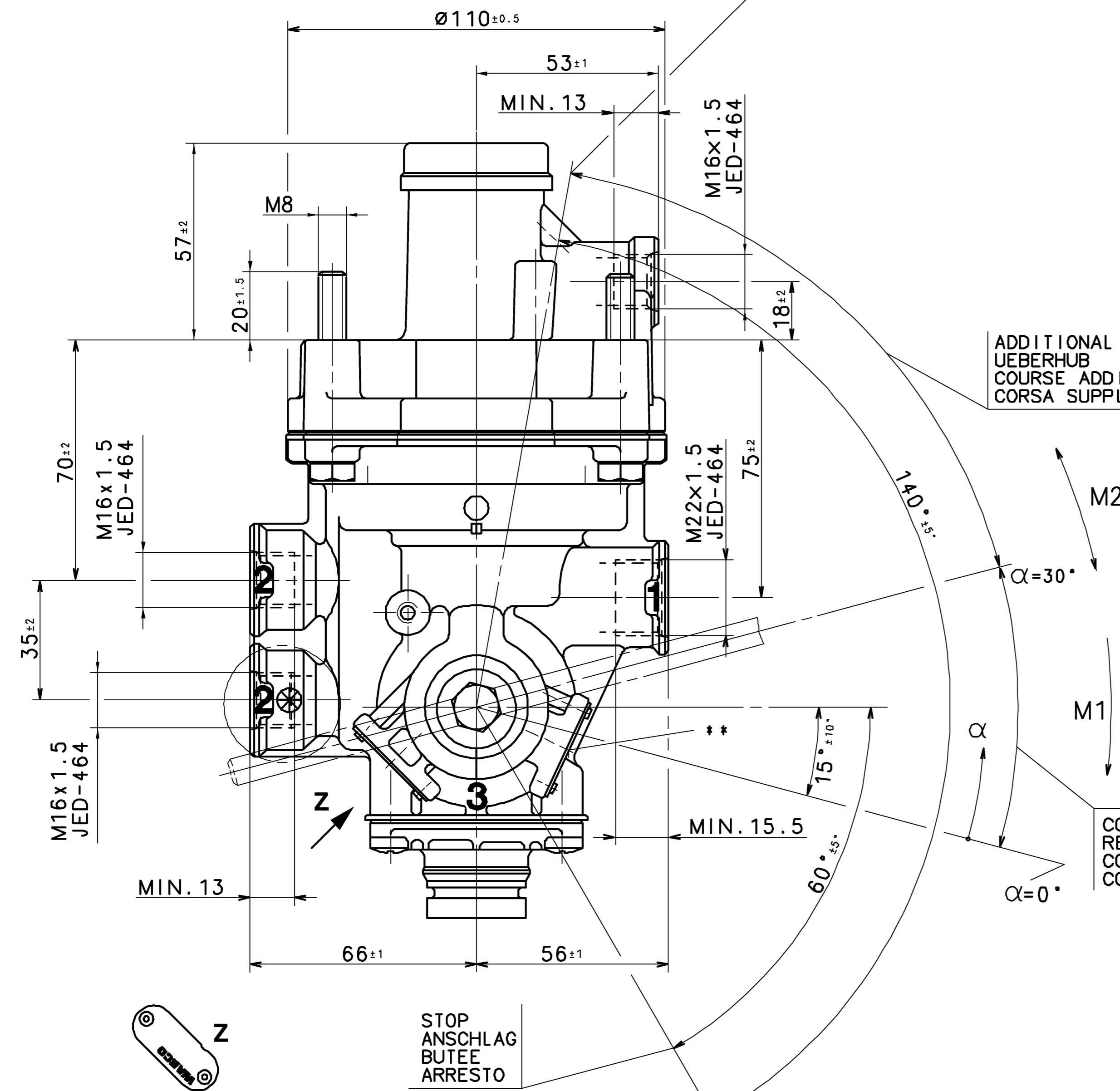
3= EXHAUST  
ENTLUEFTUNG  
ECHAPPEMENT  
SCARICO

CONTROL PRESSURE \* MAX. p<sub>e</sub> 10bar  
4= STEUERDRUCK  
PRESSION DE COMMANDE  
PRESSIONE DI COMANDO

INSTALLATION POSITION AS DRAWN  
EINBAULAGE WIE GEZEICHNET  
POSITION D' INSTALLATION SUIVANT DESSIN  
POSIZIONE DI MONTAGGIO COME DISEGNATO

NECESSARY DISPLACING MOMENT:  
ERFORDERLICHES VERSTELLMOMENT: 1.8 Nm (p<sub>1</sub>=6bar)  
COUPLE NECESSAIRE AU MOUVEMENT:  
COPPIA DI REGOLAZIONE NECESSARIA:

ADMISSIBLE DISPLACING MOMENT: 20 Nm  
ZULAESSIGES VERSTELLMOMENT:  
ADMISSIBLE MAXI AU MOUVEMENT:  
COPPIA DI REGOLAZIONE AMMESSA:



ADDITIONAL STROKE  
UEBERHUB  
COURSE ADDITIONELLE  
CORSO SUPPLEMENTARE

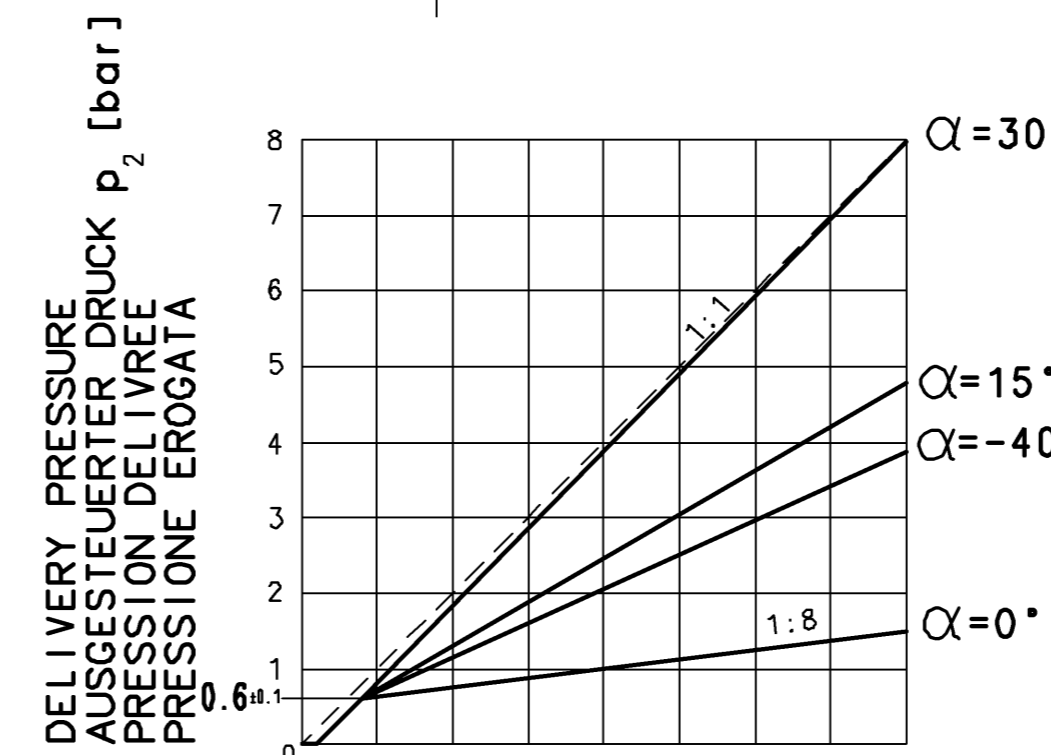
CONTROL STROKE  
REGELHUB  
COURSE DE REGULAGE  
CORSO DI REGOLAZIONE



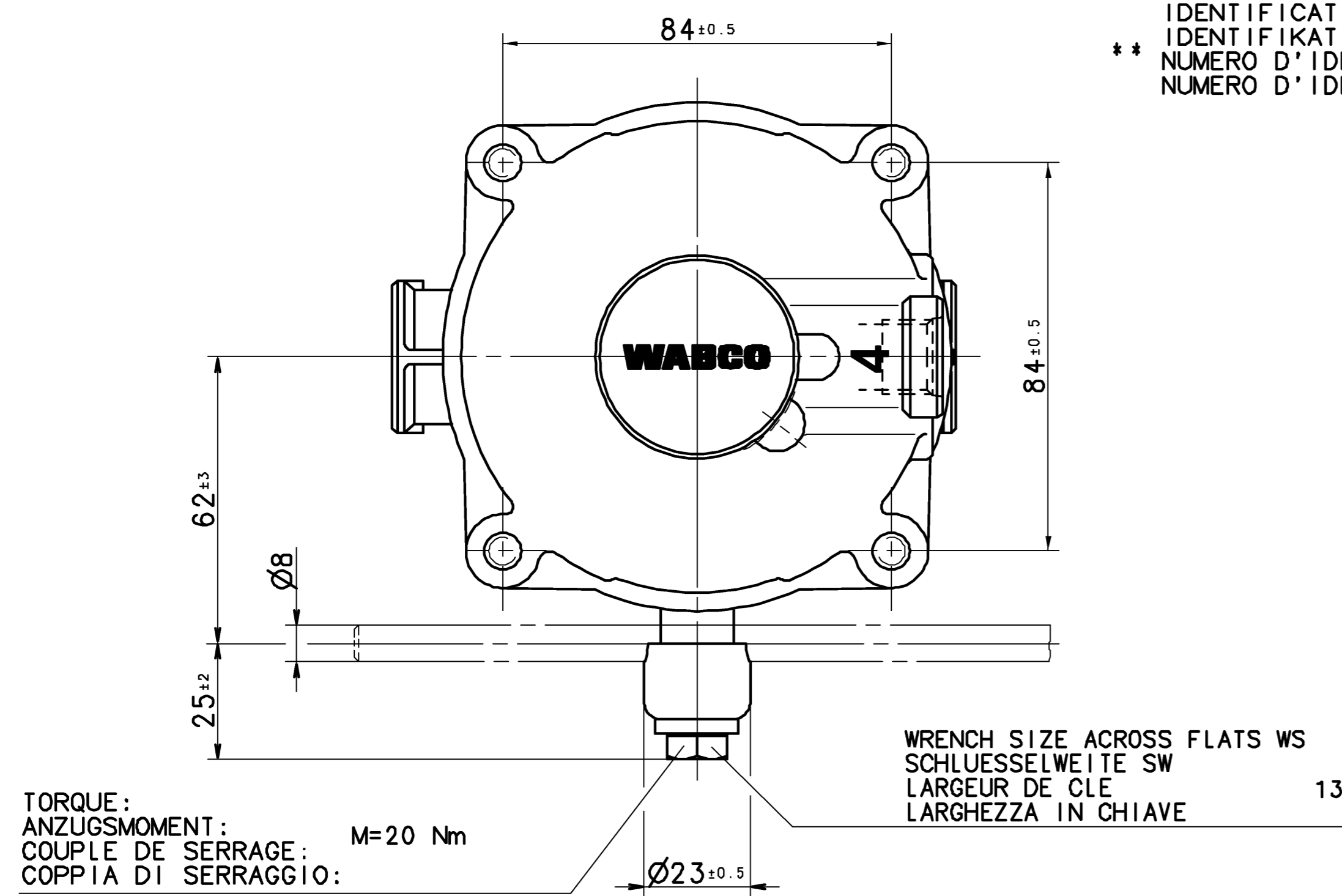
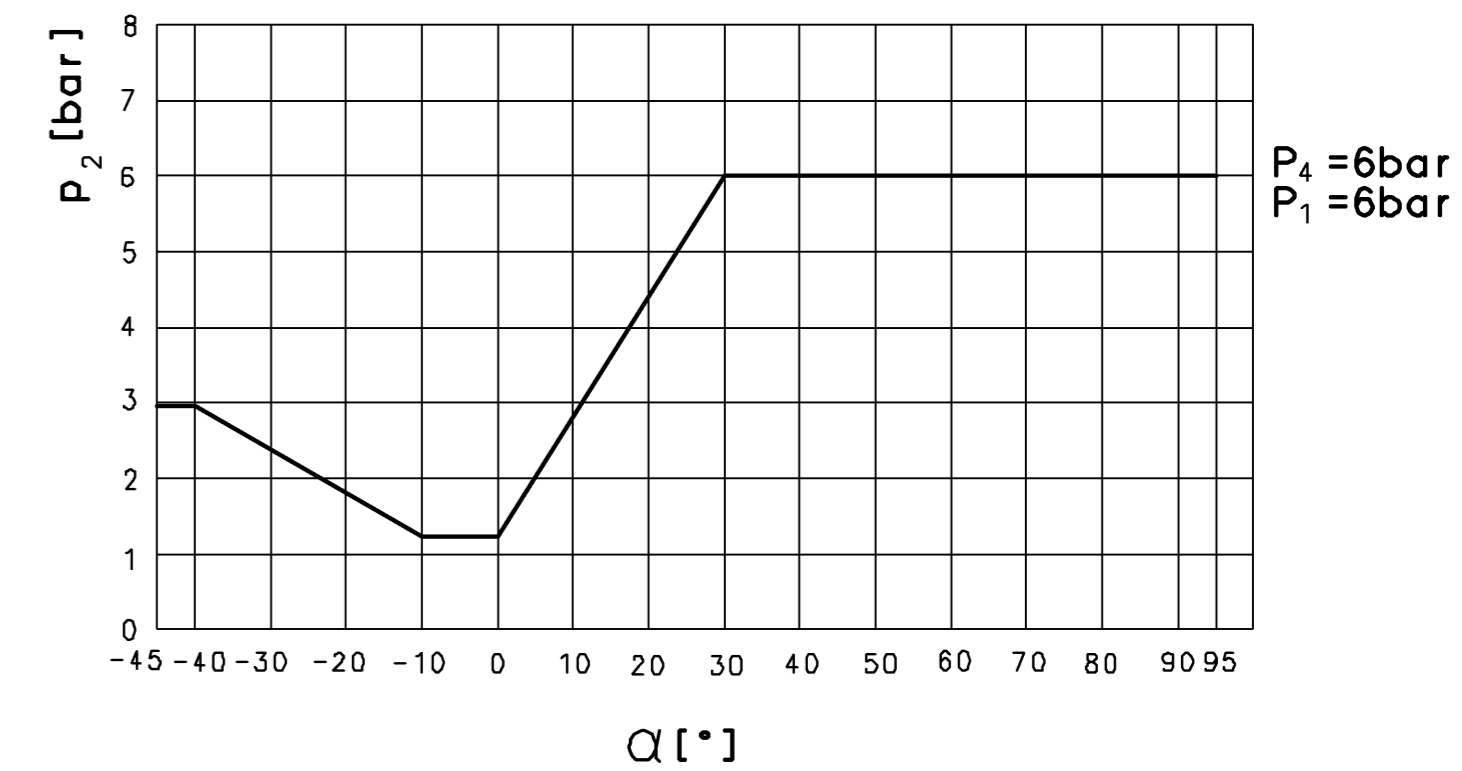
STOP  
ANSCHLAG  
BUTÉE  
ARRESTO

\*\* IDENTIFICATION NUMBER:  
IDENTIFIKATIONSNUMBER:  
NUMERO D' IDENTIFICATION:  
NUMERO D' IDENTIFICAZIONE:

CUSTOMER  
KUNDE  
CLIENT  
CLIENTE

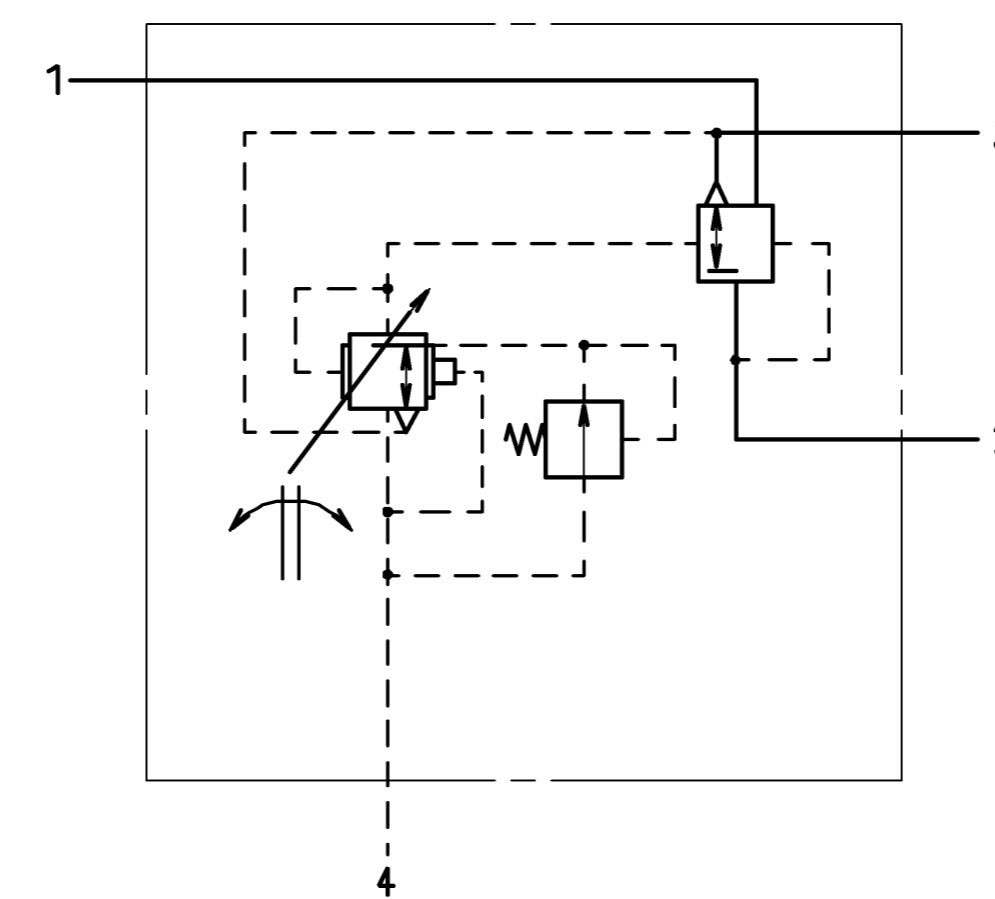


CONTROL PRESSURE  
STEUERDRUCK  
PRESSION DE COMMANDE  
PRESSIONE DI COMANDO



WRENCH SIZE ACROSS FLATS WS  
SCHLUESSELWEITE SW  
LARGEUR DE CLE  
LARGHEZZA IN CHIAVE

TORQUE:  
ANZUGSMOMENT: M=20 Nm  
COUPLE DE SERRAGE:  
COPPIA DI SERRAGGIO:



GENERAL SPECIFICATION: FURTHER TECHNICAL DATA: DOC. CODE: JED-334		SHEET: TO		DATE: 05-05-09		DRAWN: HAUKE		<b>WABCO</b>		AUTOM. LOAD-SENSING VALVE AUTOM. BREMSKRAFTREGLER CORRECTEUR DE FREINAGE AUTOM. REGOLATORE DI FREINATURA AUTOM.	
GENERAL TOLERANCES RANGE OF NOMINAL DIMENSIONS (± mm)				MASS		SCALE		PRODUCT IDENTIFICATION NO.			
CLASS 1)	≤50	>50 ≤180	>180 ≤400	>400	1.6 kg	1:1	475 710 156 0				
FINE	0.5	1.0	1.5	2.0	SIZE		1/1		DOC. CODE: 605		
MEDIUM	1.0	2.0	3.0	4.0	REPLACEMENT FOR:		A 1		7/42		
COARSE	2.0	3.5	5.0	6.5	SHAPE CODE:		REPLACEMENT FOR:		PRODUCT TYPE: 010		
1) TOLERANCE CLASS APPLIED CROSSMARKED											