

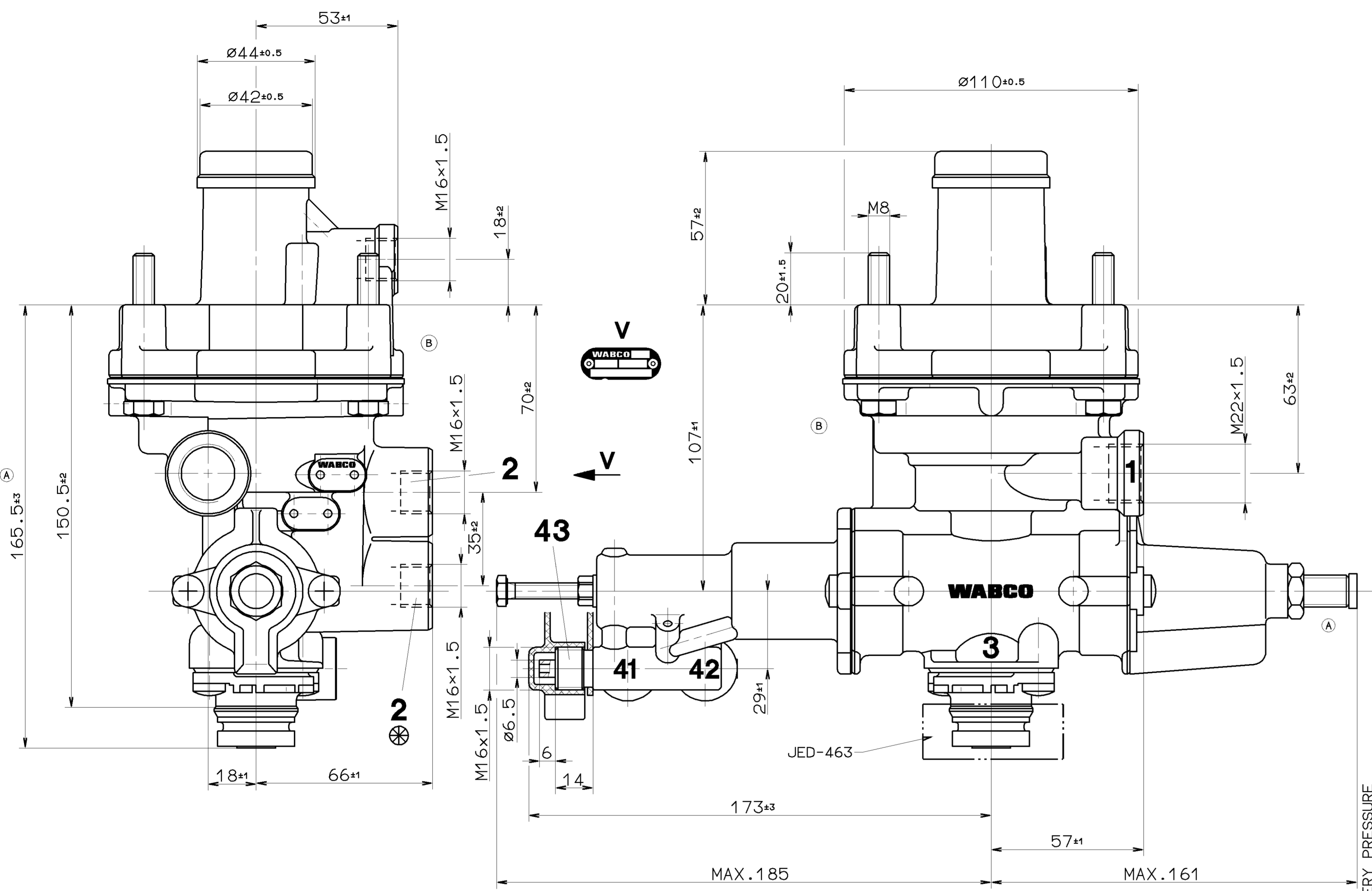
THERMAL RANGE OF APPLICATION:  
 THERMISCHER ANWENDUNGSBEREICH:  
 GAMME D'APPLICATION THERMIQUE:  
 CAMPO DI APPLICAZIONE TERMICA: -40° ... +80° C

MEDIUM: AIR  
 MEDIUM: LUFT  
 FLUIDE: AIR  
 FLUIDO: ARIA

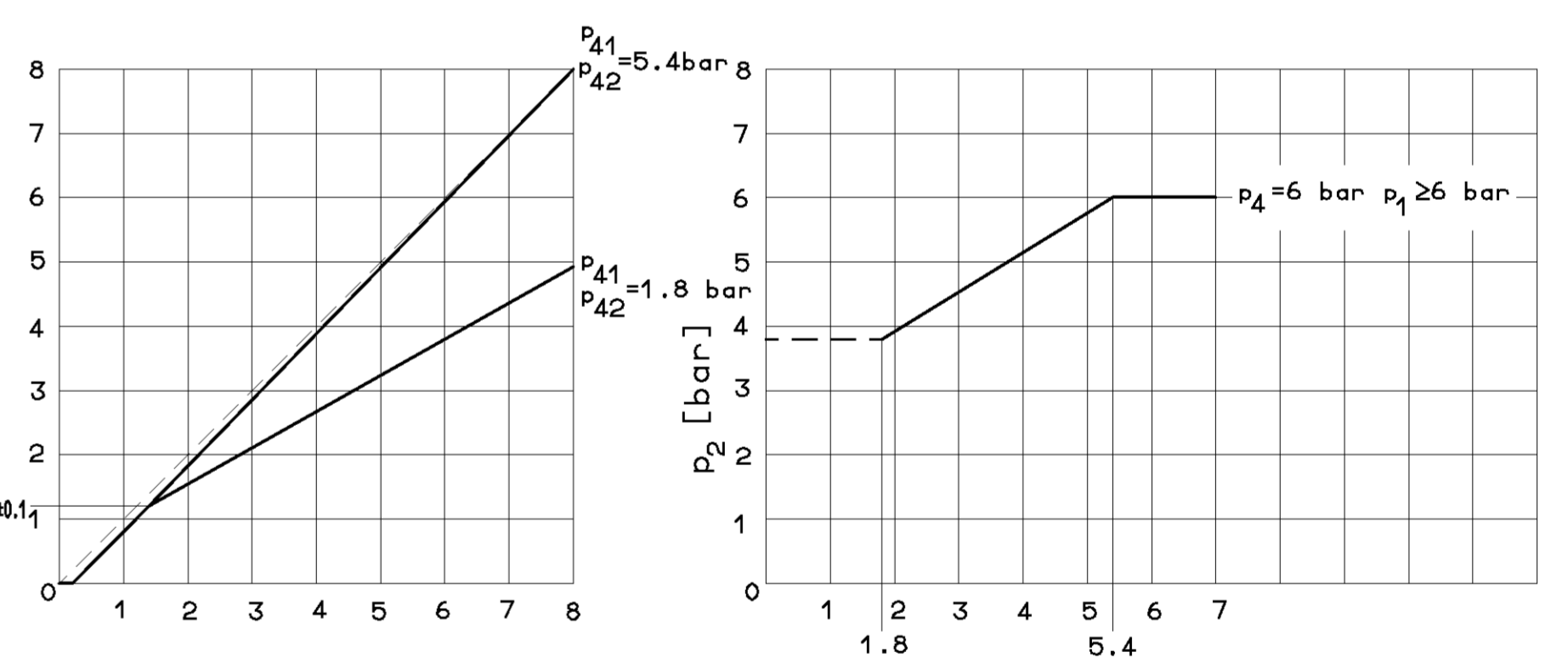
- 1= SUPPLY  
VORRAT  
ALIMENTATION MAX. p<sub>e</sub> 13bar ©  
ALIMENTAZIONE
- 2= DELIVERY PRESSURE  
AUSGESTEUERTER DRUCK  
PRESSION DELIVREE  
PRESSIONE EROGATA
- 3= EXHAUST  
ENTLUEFTUNG  
ECHAPPEMENT  
SCARICO
- 4= INLET PRESSURE  
EINGESTEUERTER DRUCK MAX. p<sub>e</sub> 10bar  
PRESSION D'ALIMENTATION  
PRESSIONE DI ALIMENTAZIONE
- 41= CONTROL PRESSURE  
STEUERDRUCK MAX. p<sub>e</sub> 13bar ©  
PRESSION DE COMMANDE  
PRESSIONE DI COMANDO
- 42=
- 43= TEST CONNECTION  
PRUEFANSCHLUSS MAX. p<sub>e</sub> 13bar  
RACCORD D'EPREUVE  
RACCORDO DI PROVA

INSTALLATION POSITION AS DRAWN  
 EINBAULAGE WIE GEZEICHNET  
 POSITION D'INSTALLATION SUIVANT DESSIN  
 POSIZIONE DI MONTAGGIO COME DISEGNATO

TORQUE FOR CONNECTIONS:  
 ANZUGSMOMENT FUER EINSCHRAUBSTUTZEN: M12x1.5: M<sub>max.</sub> = 21 Nm  
 COUPLE DE SERRAGE DES RACCORDS: M16x1.5: M<sub>max.</sub> = 34 Nm ©  
 COPPIA DI SERRAGGIO DEI RACCORDI: M22x1.5: M<sub>max.</sub> = 53 Nm



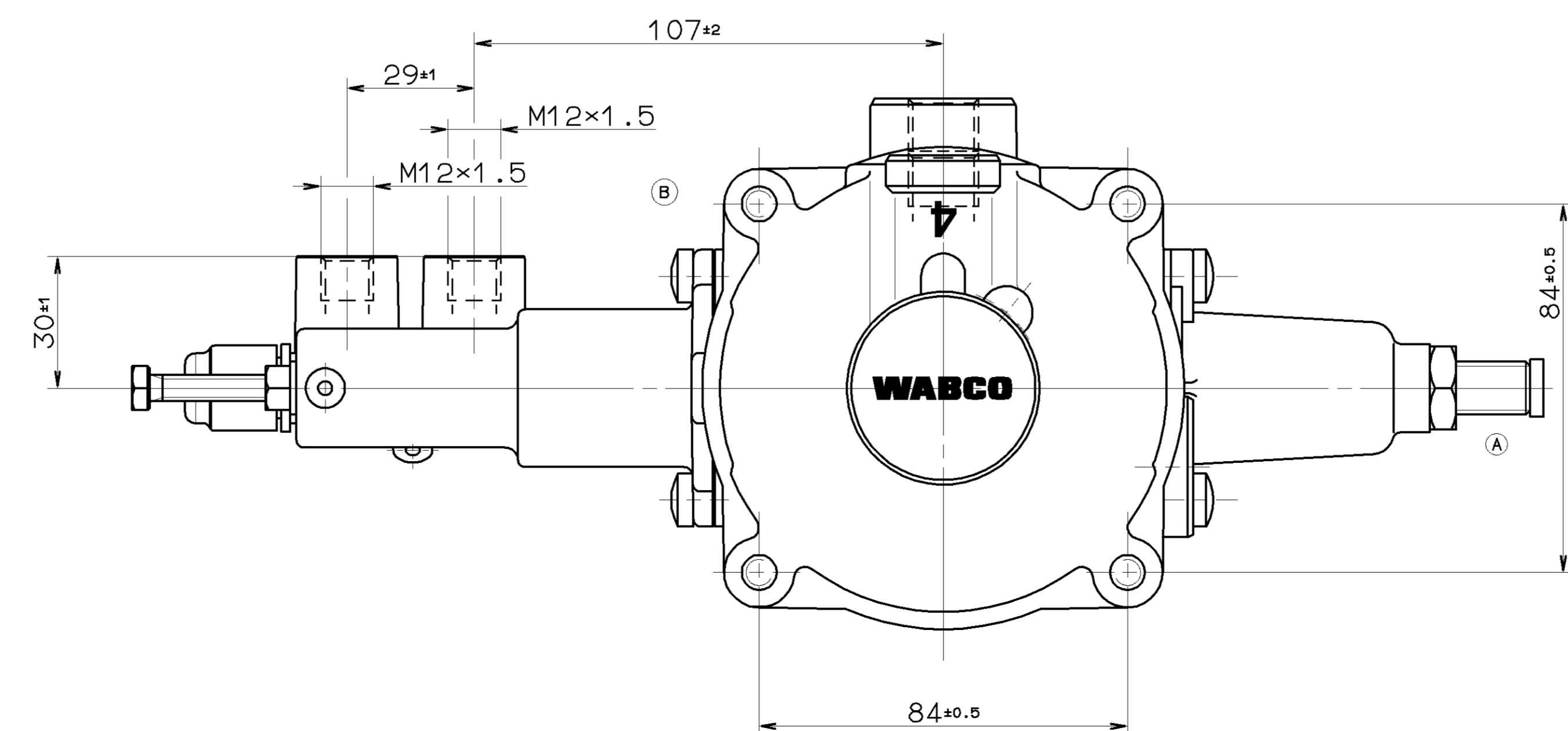
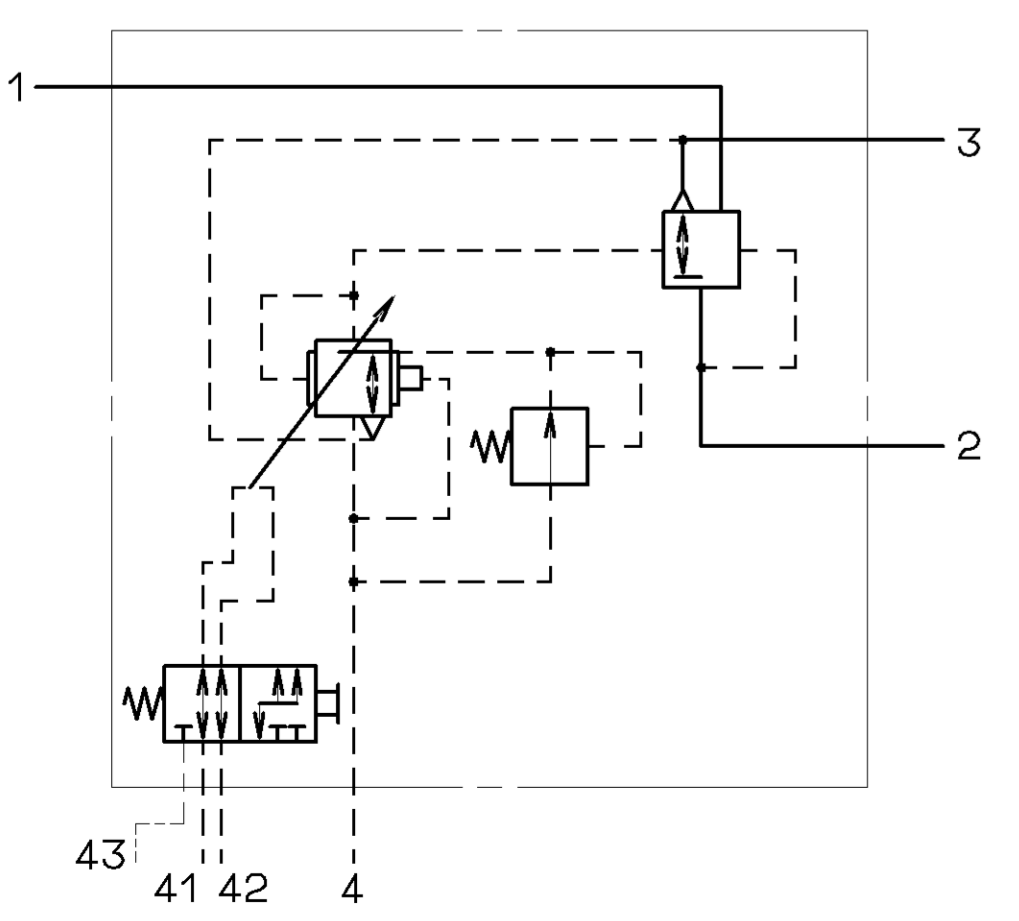
DELIVERY PRESSURE  
 AUSGESTEUERTER DRUCK p<sub>2</sub> [bar]  
 PRESSION DELIVREE  
 PRESSIONE EROGATA



INLET PRESSURE  
 EINGESTEUERTER DRUCK p<sub>4</sub> [bar]  
 PRESSION D'ALIMENTATION  
 PRESSIONE DI ALIMENTAZIONE

CONTROL PRESSURE  
 STEUERDRUCK p<sub>41</sub> = p<sub>42</sub> [bar]  
 PRESSION DE COMMANDE  
 PRESSIONE DI COMANDO

TOUTE REPRODUCTION DE CE DOCUMENT, TOUTE REPRODUCTION OU COMMUNICATION DE SON CONTENU, EST INTERDITE SANS LAutorisation écrite de WABCO. Toute réimpression, reproduction ou communication de son contenu sans la permission écrite de WABCO est formellement interdite. Toute réimpression, reproduction ou communication de son contenu sans la permission écrite de WABCO est formellement interdite.



GENERAL SPECIFICATION: JED-334		CAD/CAM DRAWING COPYRIGHT		
FURTHER TECHNICAL DATA:		DATE: 87-09-03		
DOC. CODE: SHEET: TO:		DRAWN: HAUKE		
GENERAL TOLERANCES		CHECKED: FAUCK DEI		
RANGE OF NOMINAL DIMENSIONS (± mm)		STANDARDIZATION: 87-09-07 PANTZER		
CLASS	1)	PRODUCT IDENTIFICATION NO. 475 711 037 0		
FINE	0,5	1,0	1,5	2,0
MEDIUM	1,0	2,0	3,0	4,0
COARSE	2,0	3,5	5,0	6,5
TAPPED HOLES ACC. ISO 4039 / JED-162		DOC. CODE: SHEET: 605 1/1		
1) TOLERANCE CLASS APPLIED CROSSHARDED		REPLACEMENT FOR:		
DIN-NO. REV. DATE		SHAPE CODE		
A 1 140		REPLACEMENT FOR:		