

AFTER ADJUSTMENT MARKED WITH RED PAINT
 * NACH EINSTELLUNG MIT ROTEM LACK GEKENNZEICHNET
 * APRES AJUSTAGE MARQUE AVEC VERNIS ROUGE
 DOPO LA REGOLAZIONE MARCARRE CON VERNICE ROSSA

THERMAL RANGE OF APPLICATION:
 THERMISCHER ANWENDUNGSBEREICH:
 GAMME D'APPLICATION THERMIQUE:
 CAMPO DI APPLICAZIONE TERMICA:
 -40° ... +80° C

MEDIUM: AIR
 MEDIUM: LUFT
 FLUIDE: AIR
 FLUIDO: ARIA

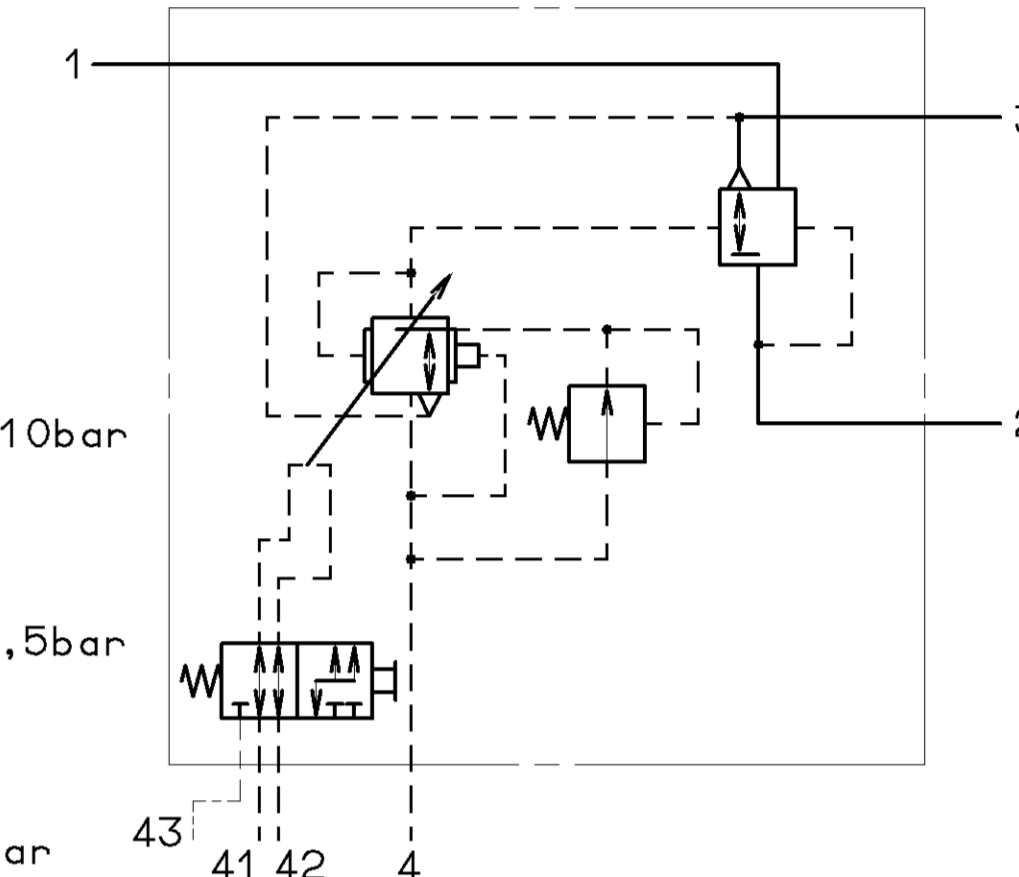
1 = SUPPLY
 VORRAT
 ALIMENTATION
 ALIMENTAZIONE
 MAX. p_e 12bar

2 = DELIVERY PRESSURE
 AUSGESTEUERTER DRUCK
 PRESSION DELIVREE
 PRESSIONE EROGATA

4 = INLET PRESSURE
 EINGESTEUERTER DRUCK
 PRESSION D'ALIMENTATION
 PRESSIONE DI ALIMENTAZIONE
 MAX. p_e 10bar

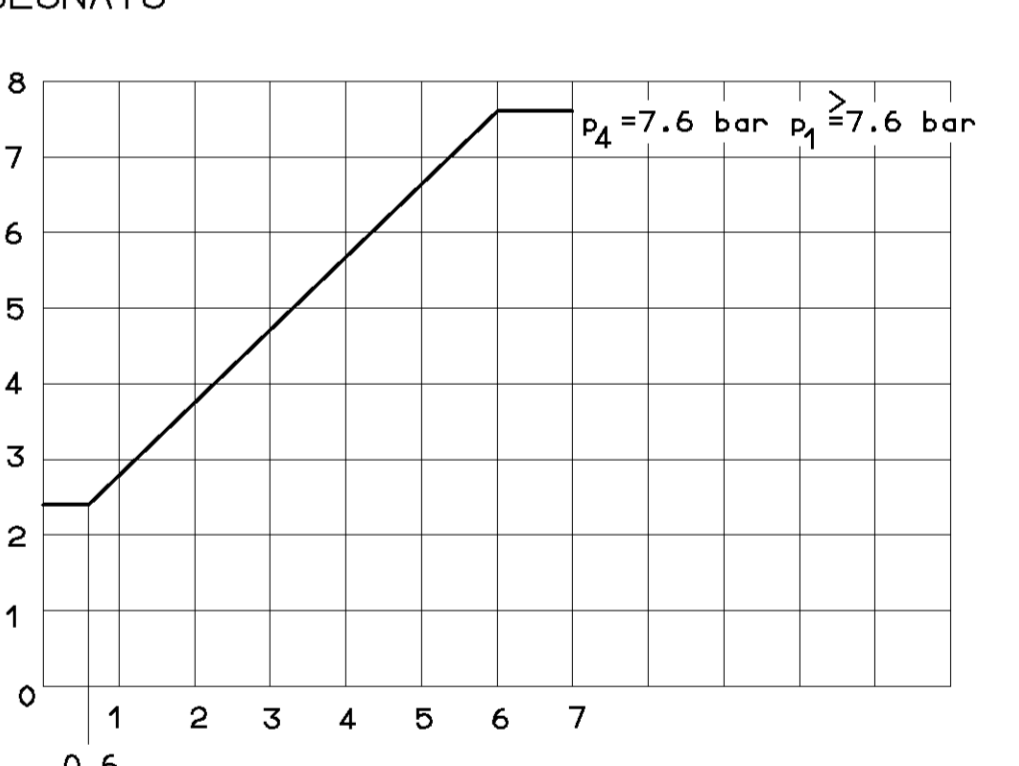
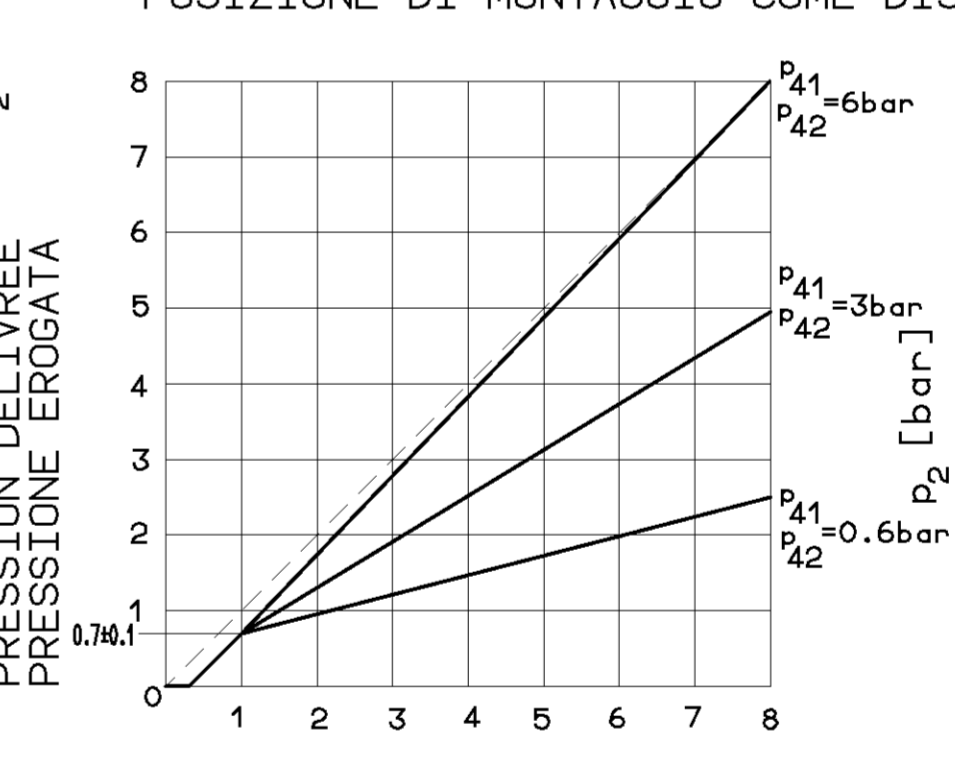
41 = CONTROL PRESSURE
 STEUERDRUCK
 PRESSION DE COMMANDE
 PRESSIONE DI COMANDO
 MAX. p_e 12,5bar

42 = TEST CONNECTION
 PRUEFANSCHLUSS
 RACCORD D'EPREUVE
 RACCORDO DI PROVA
 MAX. p_e 12,5bar



INSTALLATION POSITION AS DRAWN
 EINBAULAGE WIE GEZEICHNET
 POSITION D'INSTALLATION SUIVANT DESSIN
 POSIZIONE DI MONTAGGIO COME DISEGNATO

DELIVERY PRESSURE
 AUSGESTEUERTER DRUCK p_2 [bar]
 PRESSION DELIVREE
 PRESSIONE EROGATA



INLET PRESSURE
 EINGESTEUERTER DRUCK
 PRESSION D'ALIMENTATION
 PRESSIONE DI ALIMENTAZIONE
 p_4 [bar]

CONTROL PRESSURE
 STEUERDRUCK
 PRESSION DE COMMANDE
 PRESSIONE DI COMANDO
 $p_{41} = p_{42}$ [bar]

GENERAL SPECIFICATION: JED-034

FURTHER TECHNICAL DATA:

DOC. CODE: SHEET: TO:

GENERAL TOLERANCES

CLASS	RANGE OF NOMINAL DIMENSIONS (\pm mm)			
	≤50	≤50 > 180	≤180 > 400	>400
FINE	0,5	1,0	1,5	2,0
MEDIUM	1,0	2,0	3,0	4,0
COARSE	2,0	3,5	5,0	6,5

TAPPED HOLES ACC. ISO 4039 / JED-162

1) TOLERANCE CLASS APPLIED CROSSHATCHED

DATE: DRAWN: HAUKE
 CHECKED: FALICK
 STANDARDIZATION: 91-11-27 PANTZER

WABCO

AUTOM. LOAD-SENSING VALVE
 AUTOM. BREMSKRAFTREGLER
 CORRECTEUR DE FREINAGE AUTOM.
 REGOLATORE DI FREINATURA AUTOM.

MASS SCALE: 1:1
 2.1 kg

PRODUCT IDENTIFICATION NO. 475 711 090 0

DOC. CODE: 605
 SHEET: 1/1

REPLACEMENT FOR:

DATE: REV.: DATE:

EXPERT CODE: 7142

PRODUCT TYPE: 010X

NIJLE VERMIDDELEN DEZES DOORGAANGS DOCUMENTS...
 NIJLE PERMISSO CONSERVARE A TERZO O REPRODURRE...
 NIJLE AUTOMATISCHES VERBODEN...
 NIJLE AUTOMATICALLY FORBIDDEN...
 NIJLE AUTOMATICAMENTE VIETATA...
 NIJLE AUTOMATICAMENTE VIETATA...