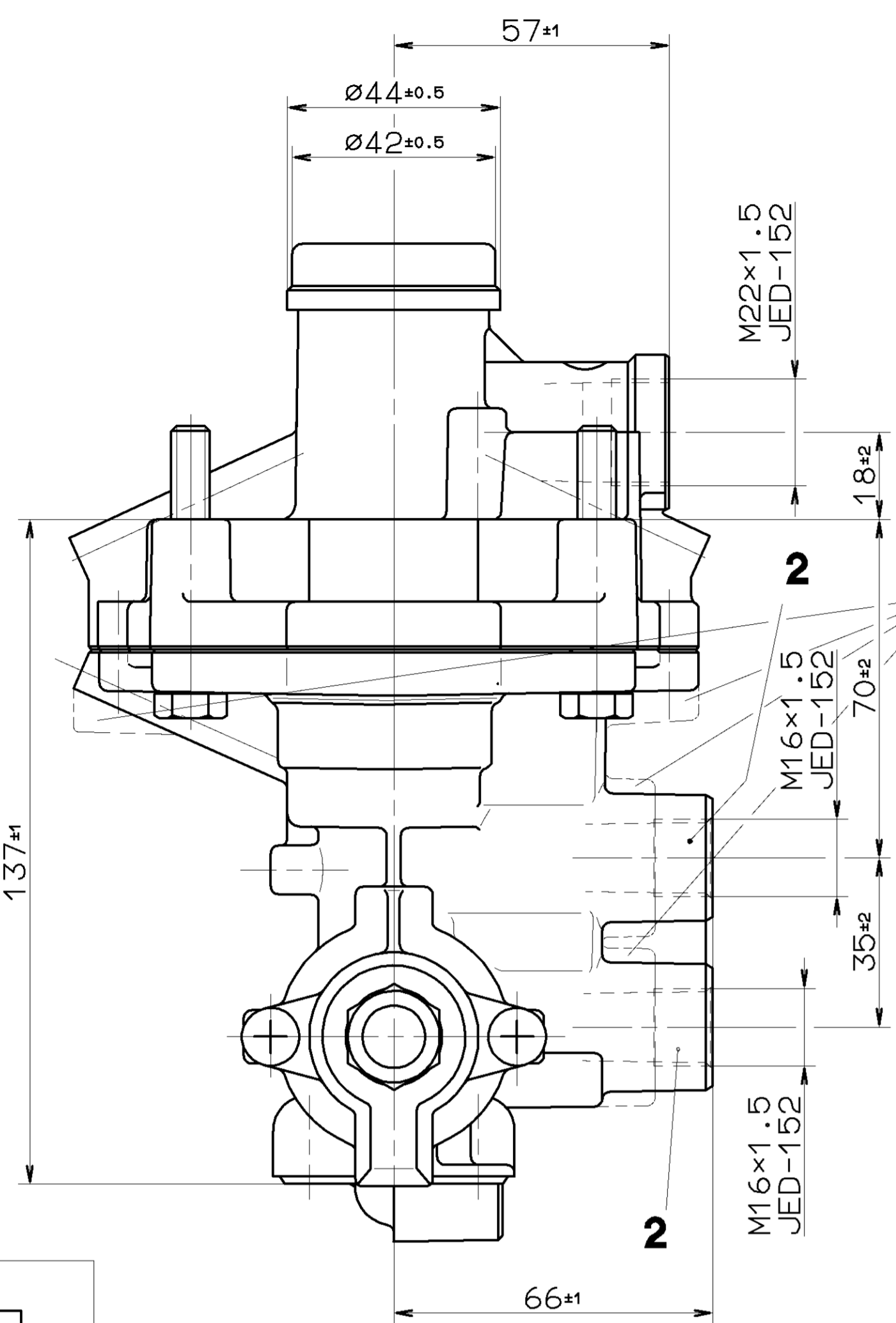
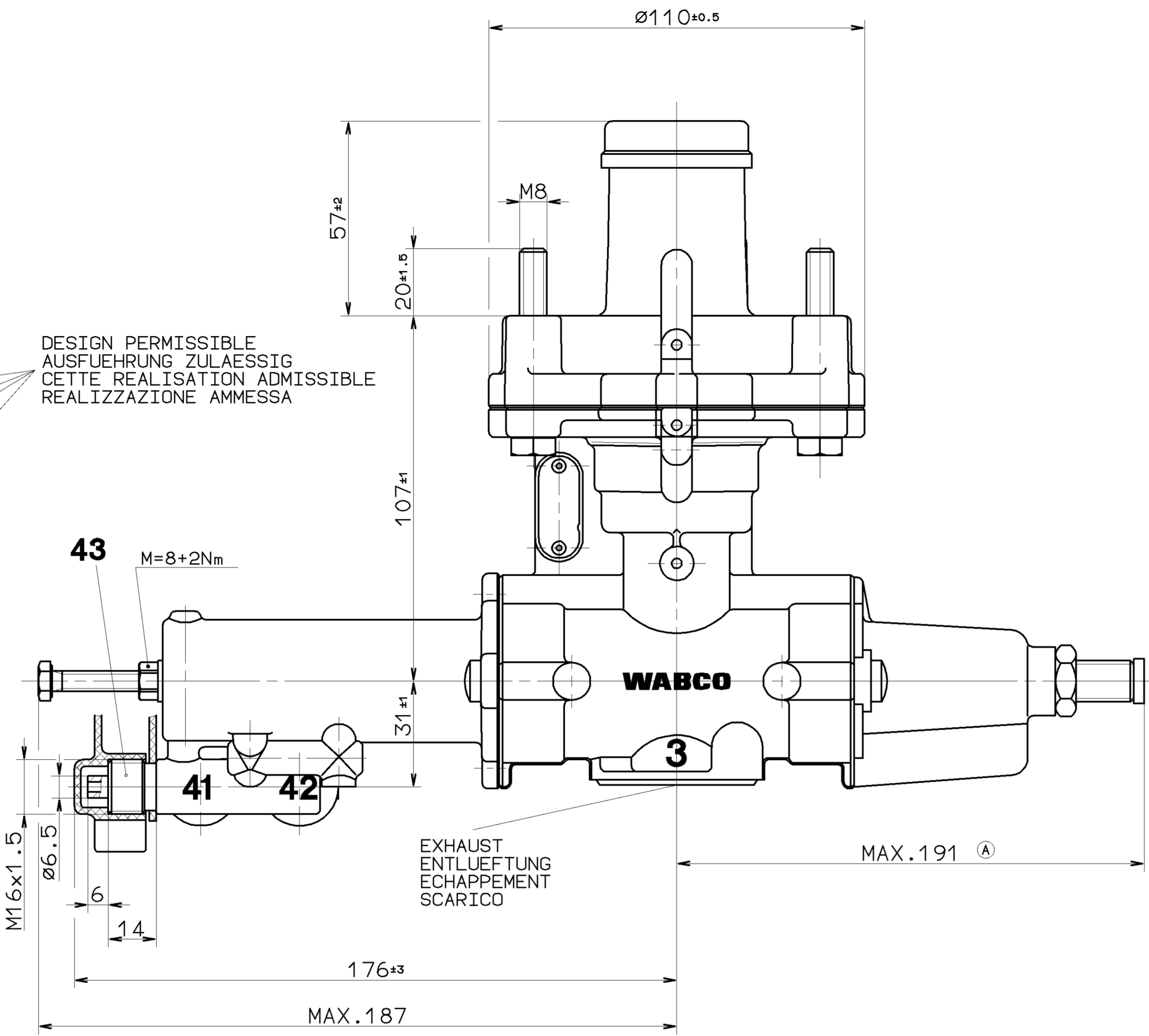


TORQUE FOR CONNECTIONS:
 ANZUGSMOMENT FUER EINSCHRAUBSTUTZEN:
 COUPLE DE SERRAGE DES RACCORDS:
 COPPIA DI SERRAGGIO DEI RACCORDI:



DESIGN PERMISSIBLE
 AUSFUEHRUNG ZULAESSIG
 CETTE REALISATION ADMISSIBLE
 REALIZZAZIONE AMMESSA



STANDARD ADJUSTMENT:
 GRUNDEINSTELLUNG:
 REGOLAZIONE STANDARD:
 REGOLAZIONE STANDARD:

WORKING PRESSURE:
 BETRIEBSDRUCK:
 PRESSION DE SERVICE:
 PRESSIONE D'ESERCIZIO:

1/4 = INLET PRESSURE
 EINGESTEUERTER DRUCK * MAX. p_e 10bar
 PRESSION D'ALIMENTATION
 PRESSIONE DI ALIMENTAZIONE

2 = DELIVERY PRESSURE
 AUSGESTEUERTER DRUCK
 PRESSION DELIVREE
 PRESSIONE EROGATA

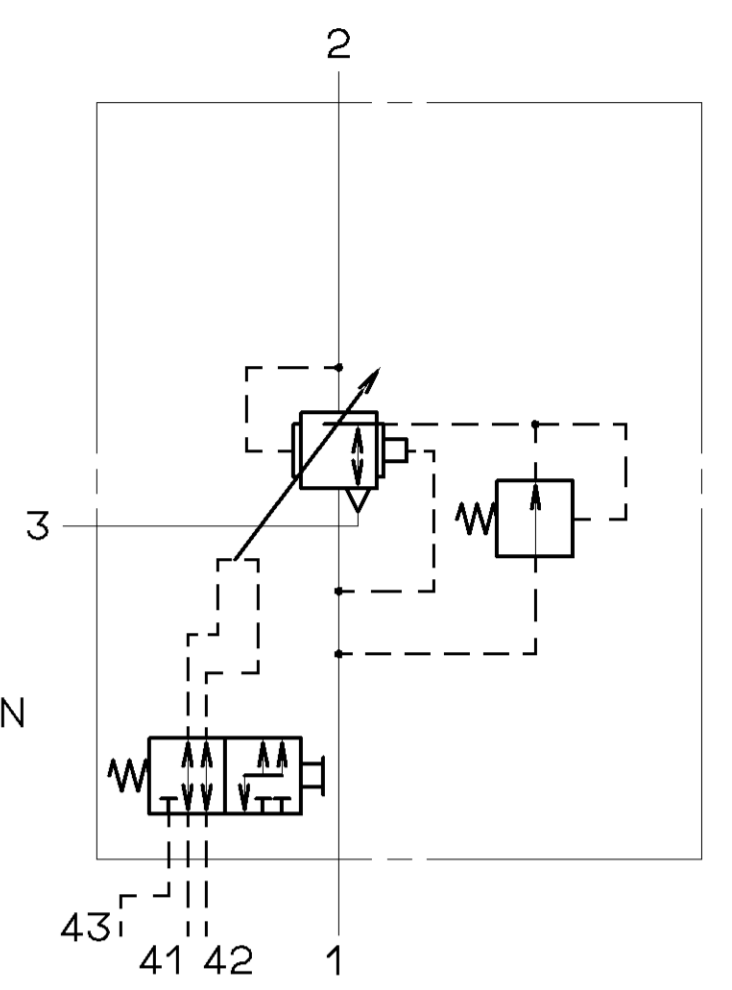
41 = CONTROL PRESSURE
 STEUERDRUCK * MAX. p_e 12bar
 42 = PRESSION DE COMMANDE
 PRESSIONE DI COMANDO

43 = TEST CONNECTION
 PRUEFANSCHLUSS * MAX. p_e 12bar
 RACCORD D'EPREUVE
 RACCORDO DI PROVA

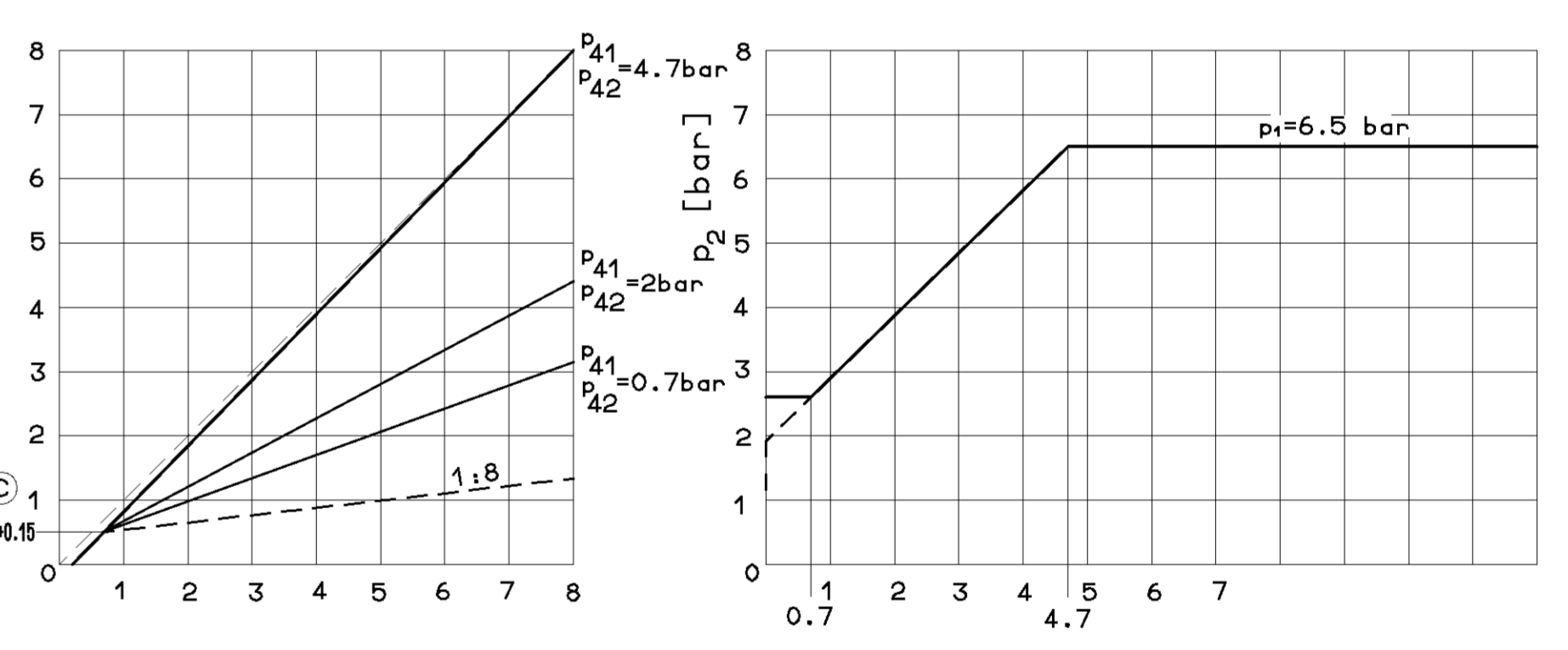
INSTALLATION POSITION AS DRAWN
 EINBAULAGE WIE GEZEICHNET
 POSITION D'INSTALLATION SUIVANT DESSIN
 POSIZIONE DI MONTAGGIO COME DISEGNATO

MEDIUM: AIR
 MEDIUM: LUFT
 FLUIDE: AIR
 FLUIDO: ARIA

THERMAL RANGE OF APPLICATION:
 THERMISCHER ANWENDUNGSBEREICH:
 GAMME D'APPLICATION THERMIQUE:
 CAMPO DI APPLICAZIONE TERMICA: -40° ... +80° C



DELIVERY PRESSURE
 AUSGESTEUERTER DRUCK p₂ [bar]
 PRESSION DELIVREE
 PRESSIONE EROGATA



INLET PRESSURE
 EINGESTEUERTER DRUCK p₁ [bar]
 PRESSION D'ALIMENTATION
 PRESSIONE DI ALIMENTAZIONE

CONTROL PRESSURE
 STEUERDRUCK p₄₁=p₄₂ [bar]
 PRESSION DE COMMANDE
 PRESSIONE DI COMANDO

TORQUE FOR CONNECTIONS:
 ANZUGSMOMENT FUER EINSCHRAUBSTUTZEN:
 COUPLE DE SERRAGE DES RACCORDS:
 COPPIA DI SERRAGGIO DEI RACCORDI:

M12x1.5: M_{max.} = 21 Nm
 M16x1.5: M_{max.} = 34 Nm
 M22x1.5: M_{max.} = 53 Nm

GENERAL SPECIFICATION: JED-034		CAD/CAM DRAWING COPYRIGHT		WABCO	
FURTHER TECHNICAL DATA:		DATE: 94-06-27		DRAWN: HAUKE	
DOC. CODE: SHEET: TO:		CHECKED: FAUCK		AUTOM. LOAD SENSING VALVE	
GENERAL TOLERANCES		STANDARDIZATION: THIELE		AUTOM. BREMSKRAFTREGLER	
RANGE OF NOMINAL DIMENSIONS (± mm)		PRODUCT IDENTIFICATION NO. 475 714 509 0		CORRECTEUR DE FREINAGE AUTOM.	
CLASS	1) 0,5 ≤ 50 > 50 > 180 > 400 > 400	MASS SCALE: 2.1 kg 1:1		REGOLATORE DI FRENATURA AUTOM.	
FINE	1,0 2,0 3,0 4,0	SIZE T.R.I.: A 1 140		DOC. CODE SHEET: 605 1/1	
MEDIUM	2,0 3,5 5,0 6,5	REVISION: 058769 1xC 98-11-04		REPLACEMENT FOR:	
COARSE	X 2,0 3,5 5,0 6,5	DATE: 057016 1xB 95-01-04			
TAPPED HOLES ACC. ISO 4039 / JED-162		DATE: 055692 1xA 94-11-21			
1) TOLERANCE CLASS APPLIED CROSSHATCHED		DATE: 055692 1xA 94-11-21			