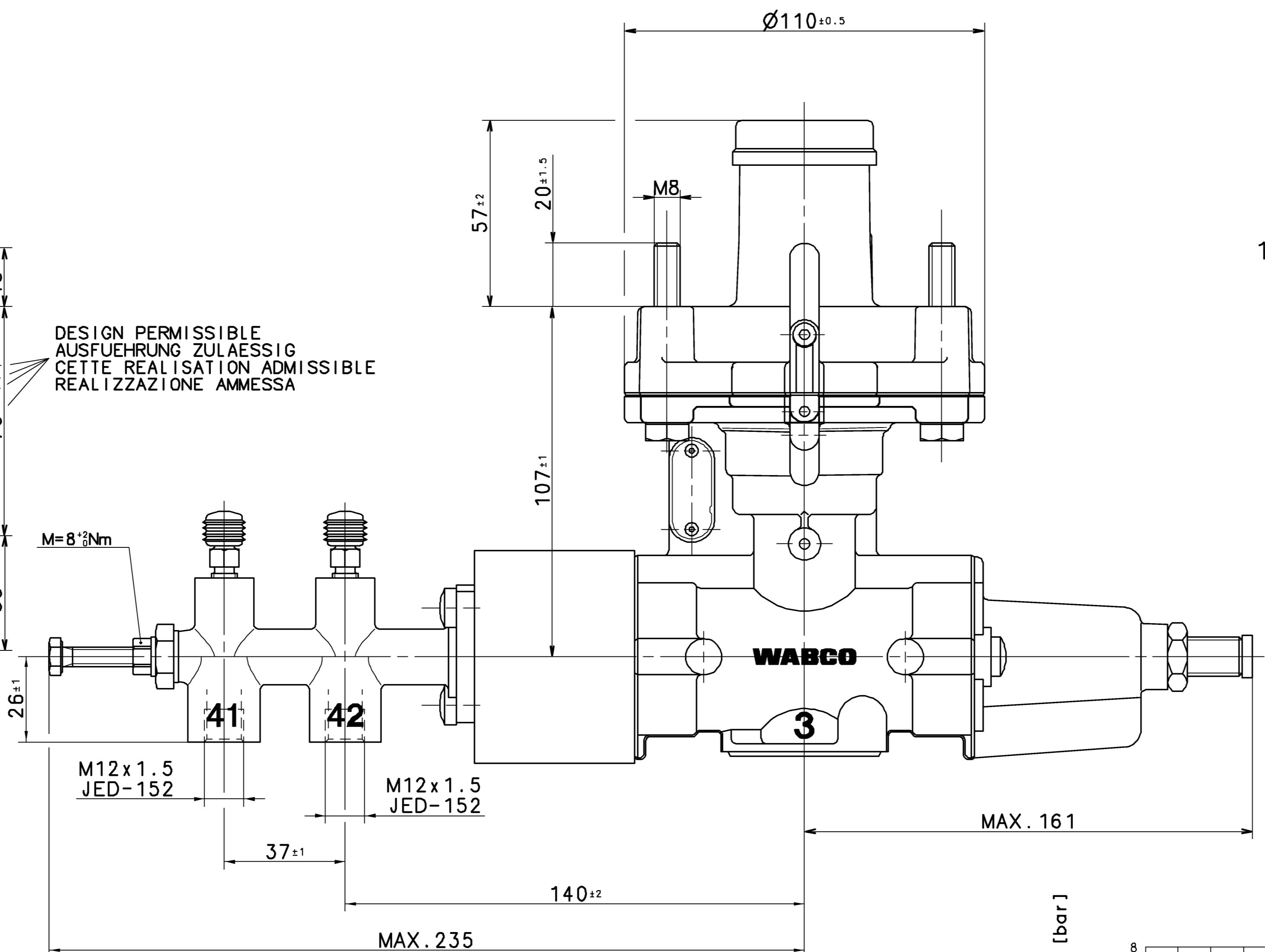


DESIGN PERMISSIBLE  
 AUSFUEHRUNG ZULAESSIG  
 CETTE REALISATION ADMISSIBLE  
 REALIZZAZIONE AMMESSA



THERMAL RANGE OF APPLICATION:  
 THERMISCHER ANWENDUNGSBEREICH:  
 GAMME D'APPLICATION THERMIQUE: -40°...+80° C  
 CAMPO DI APPLICAZIONE TERMICA:

WORKING PRESSURE : MEDIUM: AIR  
 BETRIEBSDRUCK : MEDIUM: LUFT  
 PRESSION D'UTILISATION: FLUIDE: AIR  
 PRESSIONE DI ESERCIZIO: FLUIDO: ARIA

1 / 4 = INLET PRESSURE  
 EINGESTEUERTER DRUCK MAX.  $p_e$  10bar  
 PRESSION D'ALIMENTATION  
 PRESSIONE DI ALIMENTAZIONE

2 = DELIVERY PRESSURE  
 AUSGESTEUERTER DRUCK  
 PRESSION DELIVREE  
 PRESSIONE EROGATA

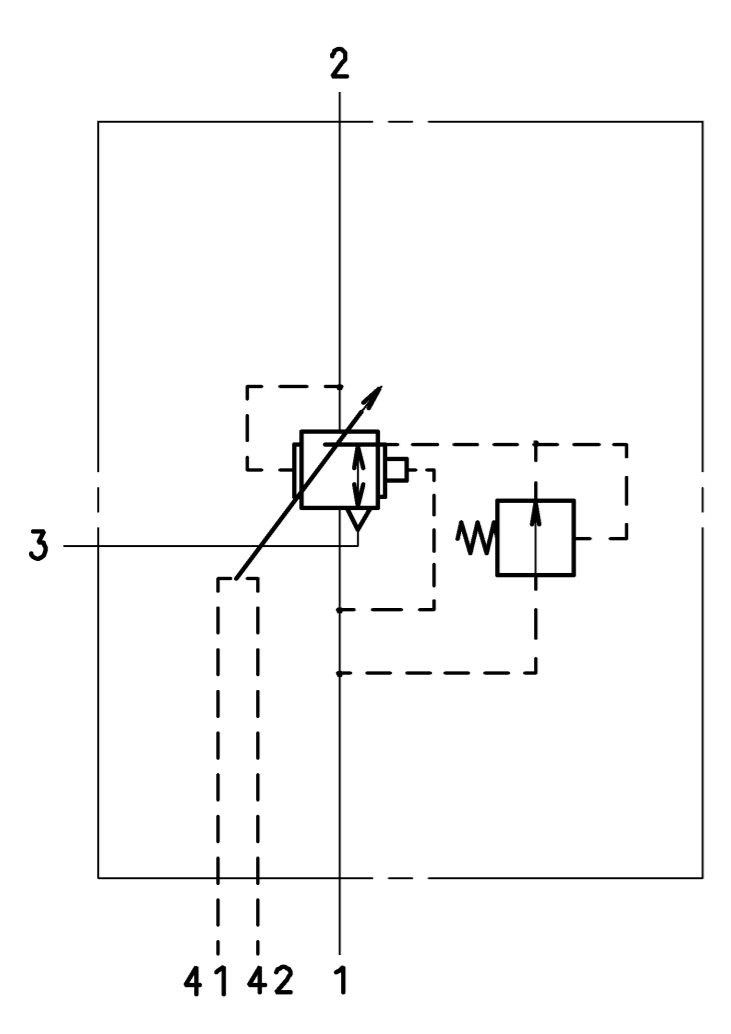
3 = EXHAUST  
 ENTLUEFTUNG  
 ECHAPPEMENT  
 SCARICO

WORKING PRESSURE : MEDIUM: MINERAL OIL  
 BETRIEBSDRUCK : MEDIUM: MINERALOEL  
 PRESSION D'UTILISATION: FLUIDE: HUILE MINERALE  
 PRESSIONE DI ESERCIZIO: FLUIDO: OLIO MINERALE

4 1 = CONTROL PRESSURE (TEMPORARILY)  
 STEUERDRUCK (KURZZEITIG)  
 PRESSION DE COMMANDE MAX.  $p_e$  160bar (DE COURTE DUREE MAX.  $p_e$  300bar)  
 PRESSIONE DI COMANDO (BREVE TEMPO SOLO)

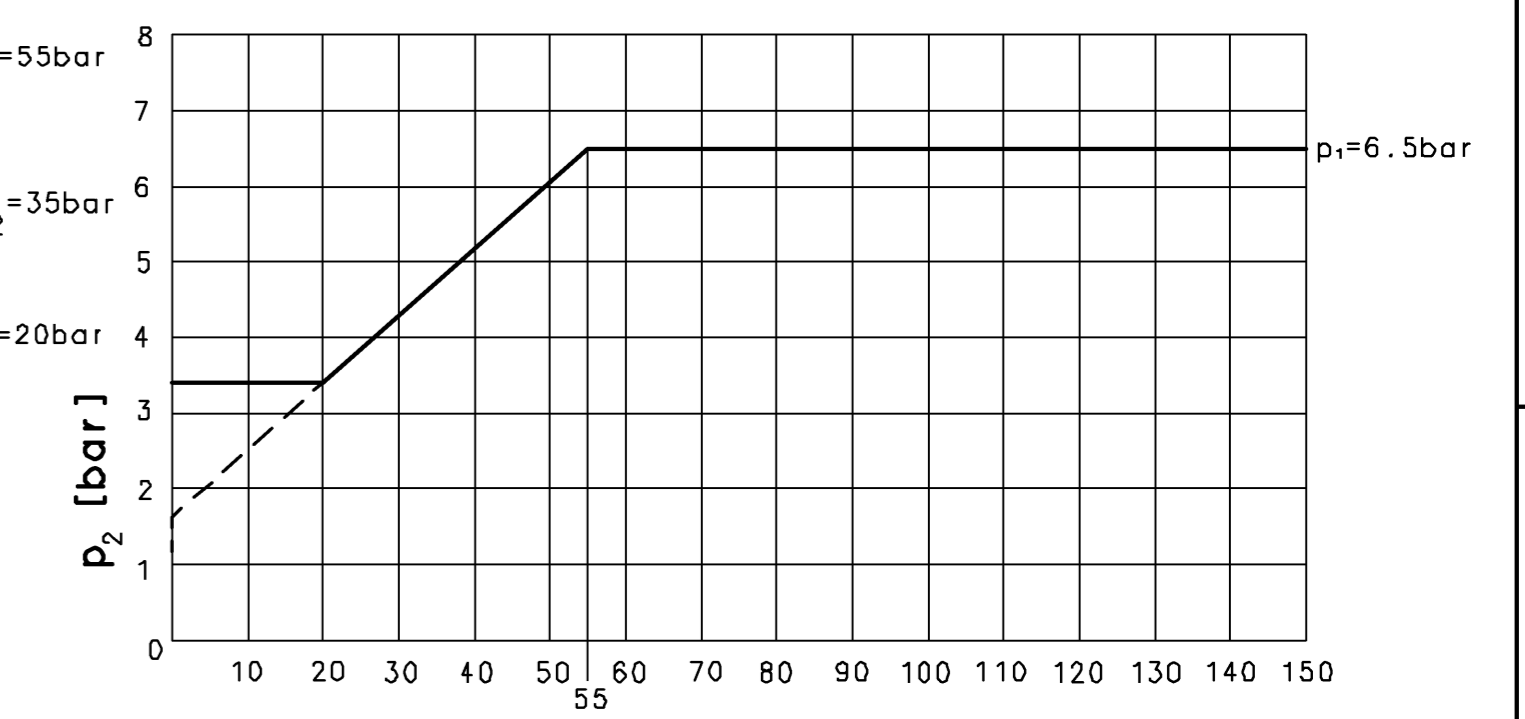
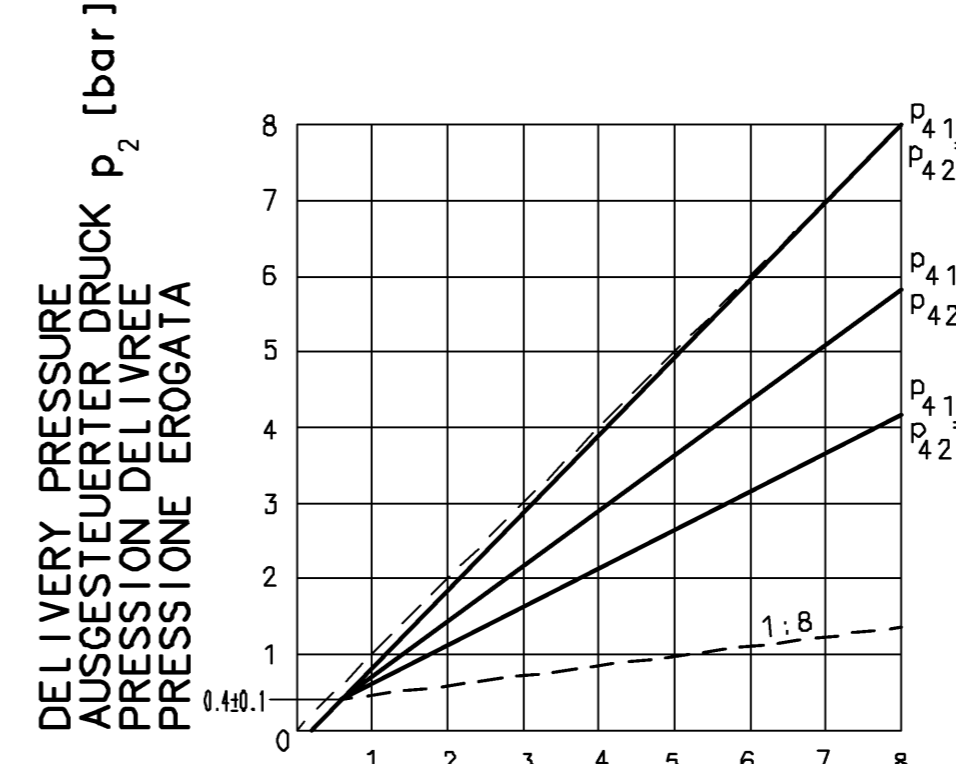
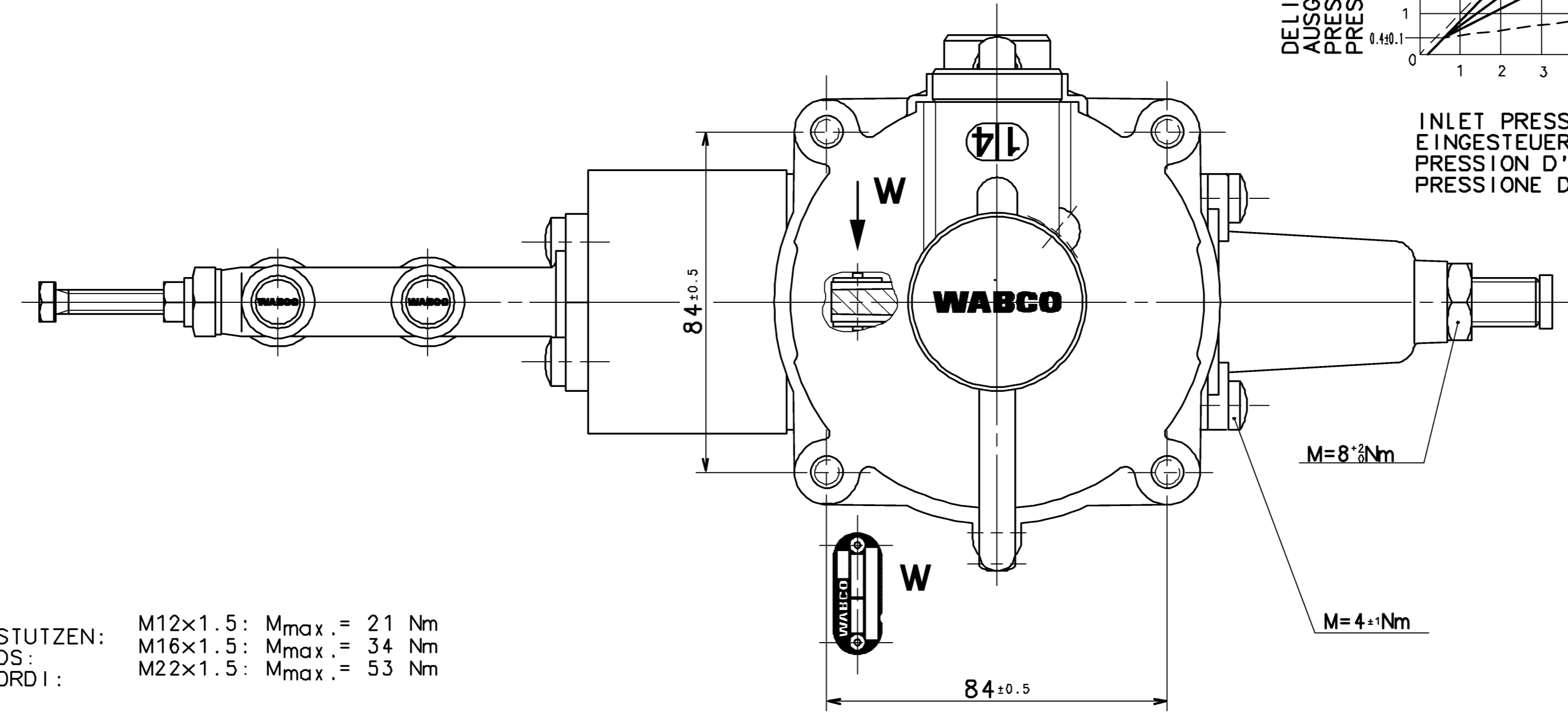
INSTALLATION POSITION AS DRAWN  
 EINBAULAGE WIE GEZEICHNET  
 POSITION D'INSTALLATION SUIVANT DESSIN  
 POSIZIONE DI MONTAGGIO COME DISEGNATO

This document is the property of WABCO. It is not to be reproduced, stored in a retrieval system, or transmitted in any form or by any means, electronic, mechanical, photocopying, recording, or by any information storage and retrieval system, without the prior written permission of WABCO.



TORQUE FOR CONNECTIONS:  
 ANZUGSMOMENT FUER EINSCHRAUBSTUTZEN: M12x1.5: Mmax. = 21 Nm  
 COUPLE DE SERRAGE DES RACCORDS: M16x1.5: Mmax. = 34 Nm  
 COPPIA DI SERRAGGIO DEI RACCORDI: M22x1.5: Mmax. = 53 Nm

STANDARD ADJUSTMENT:  
 GRUNDE INSTELLUNG:  
 REGOLAZIONE STANDARD:  
 REGOLAZIONE STANDARD:



INLET PRESSURE  
 EINGESTEUERTER DRUCK  $p_1$  [bar]  
 PRESSION D'ALIMENTATION  
 PRESSIONE DI ALIMENTAZIONE

General Specification: JED-334-0		Copyright WABCO		<b>WABCO</b>	
Further Technical Data:		Date:	2007-08-14	Drawn:	Elize
Doc. Code:	Sheet: To	Checked:	2007-08-14	Approved:	Fauck
General Tolerances JED-261			Fauck		
Range of Nominal Dimensions (± mm)			Material No.		
Class	11	≤ 50	> 50 ≤ 180	> 180 ≤ 400	> 400
Fine		0.5	1.0	1.5	2.0
Medium		1.0	2.0	3.0	4.0
Coarse	X	2.0	3.5	5.0	6.5
Tapped Holes acc. ISO 4039 / JED-152			Material No.		
1) Tolerance Class Applied Crossmarked			475 714 603 0		
A 1		CCD	ECN No.		5282
		Tech. Resp.		Replacement for	