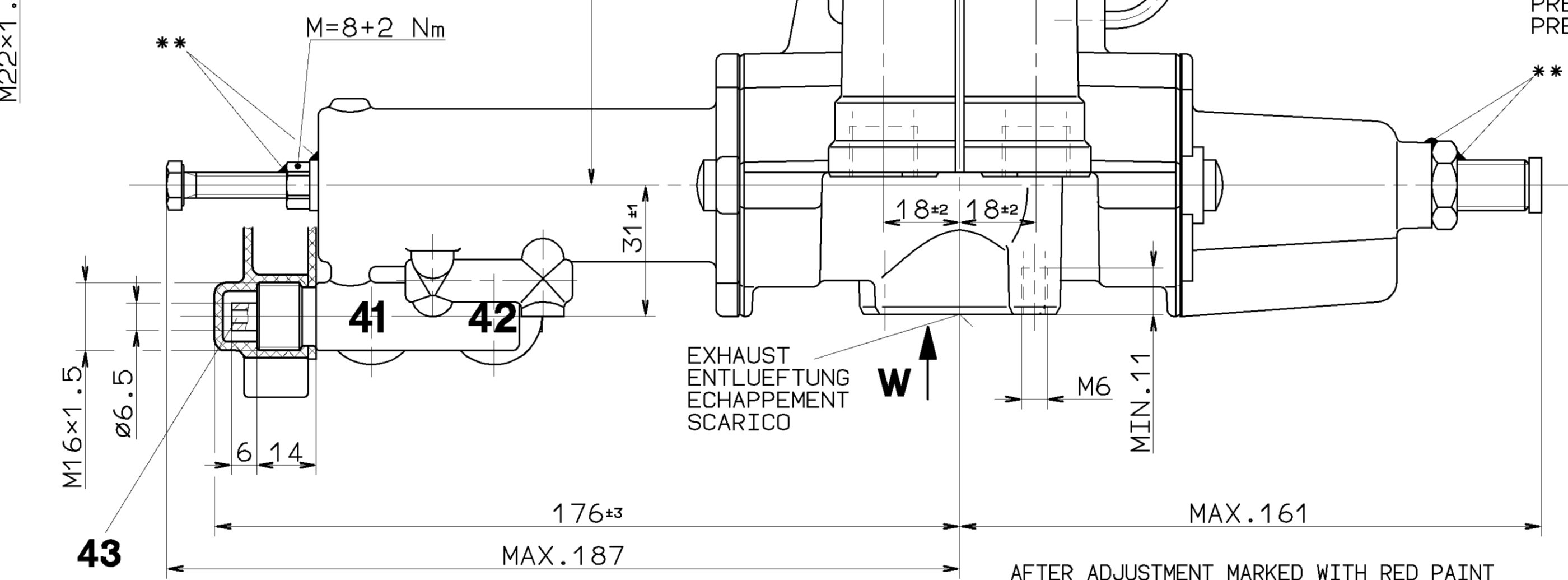
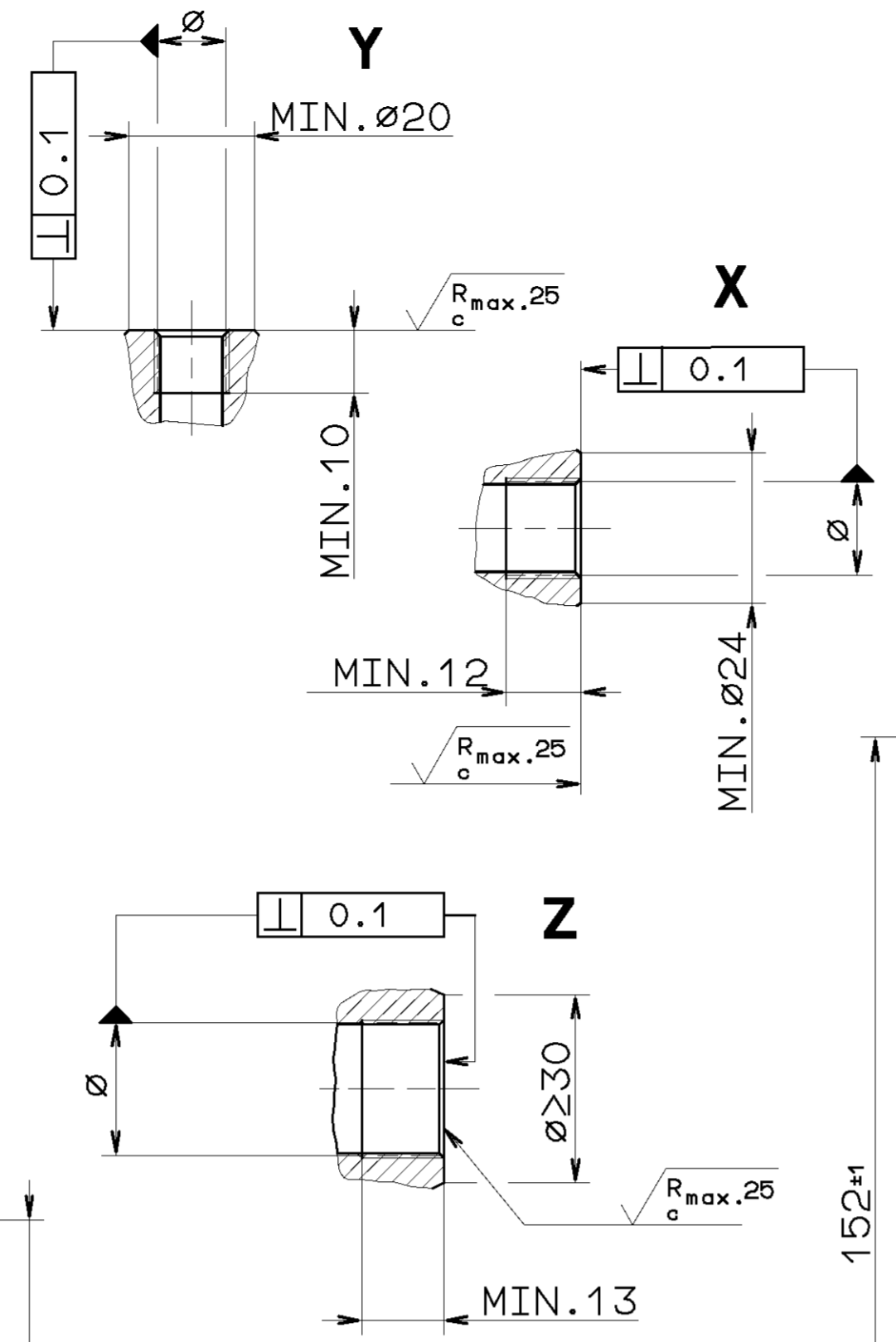
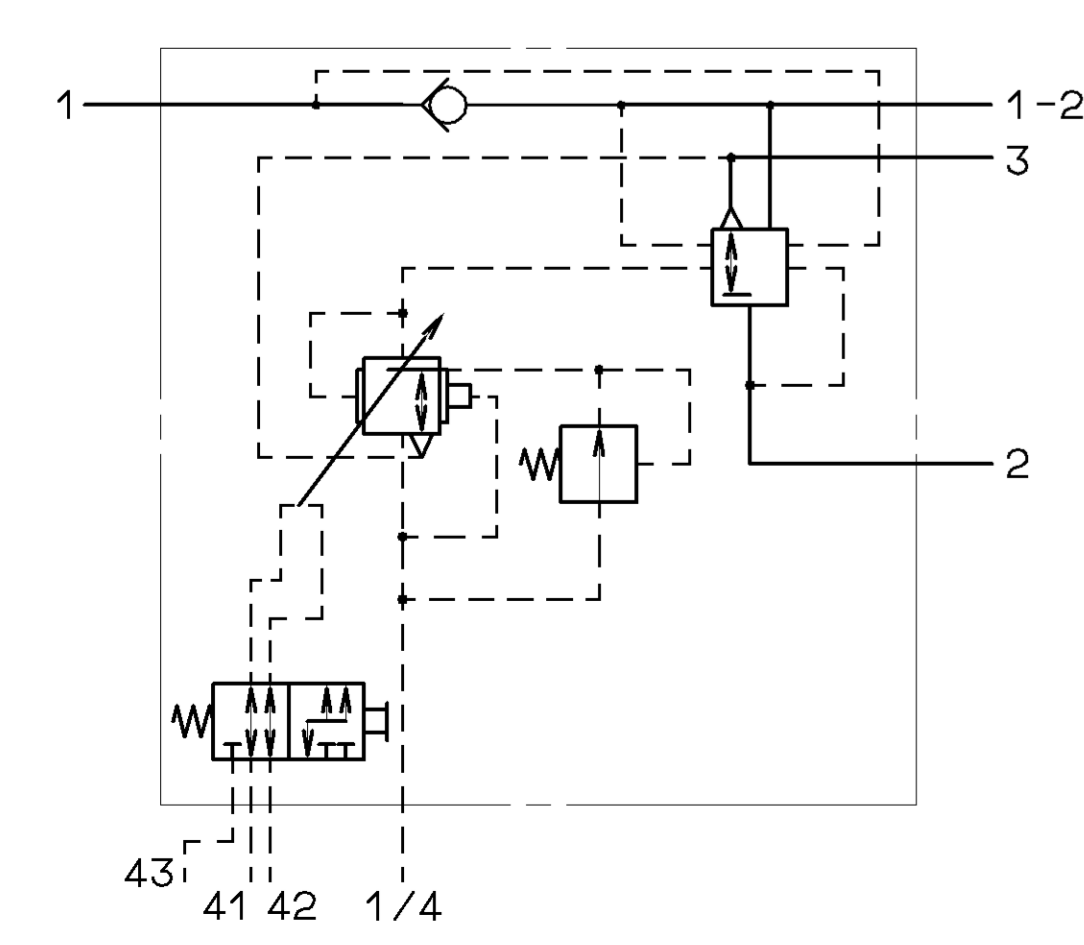
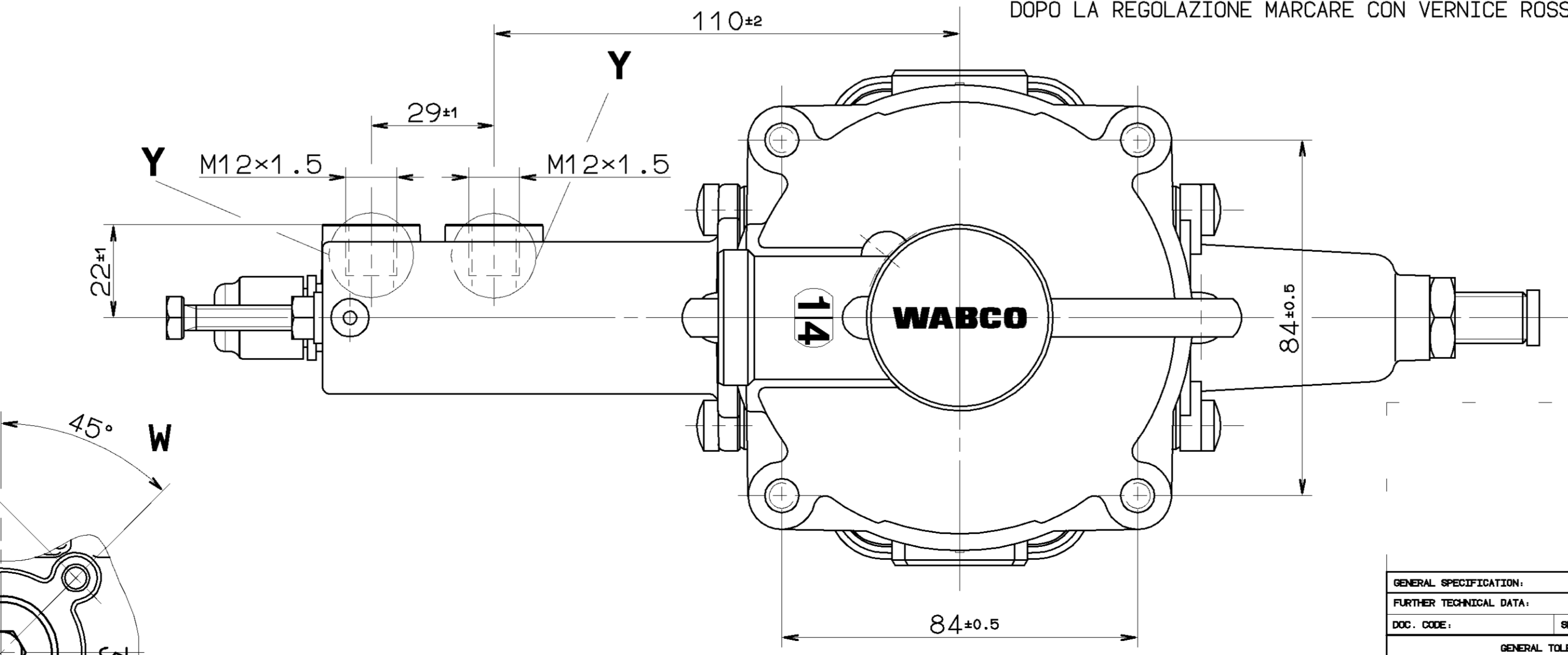


TORQUE FOR CONNECTIONS:
 ANZUGSMOMENT FUER EINSCHRAUBSTUTZEN: M12x1.5 : MAX.21Nm
 COUPLE DE SERRAGE DES RACCORDS: M16x1.5 : MAX.34Nm
 COPPIA DI SERRAGGIO DEI RACCORDI: M22x1.5 : MAX.53Nm

INSTALLATION POSITION AS DRAWN
 EINBAULAGE WIE GEZEICHNET
 POSITION D'INSTALLATION SUIVANT DESSIN
 POSIZIONE DI MONTAGGIO COME DISEGNATO

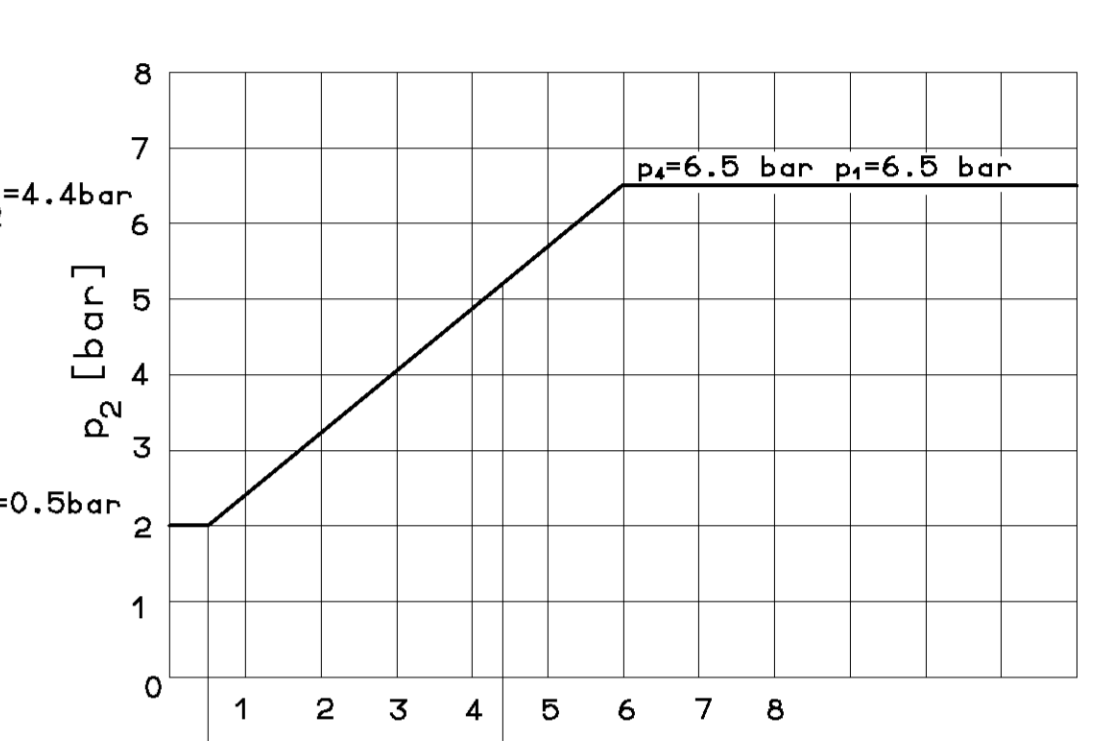
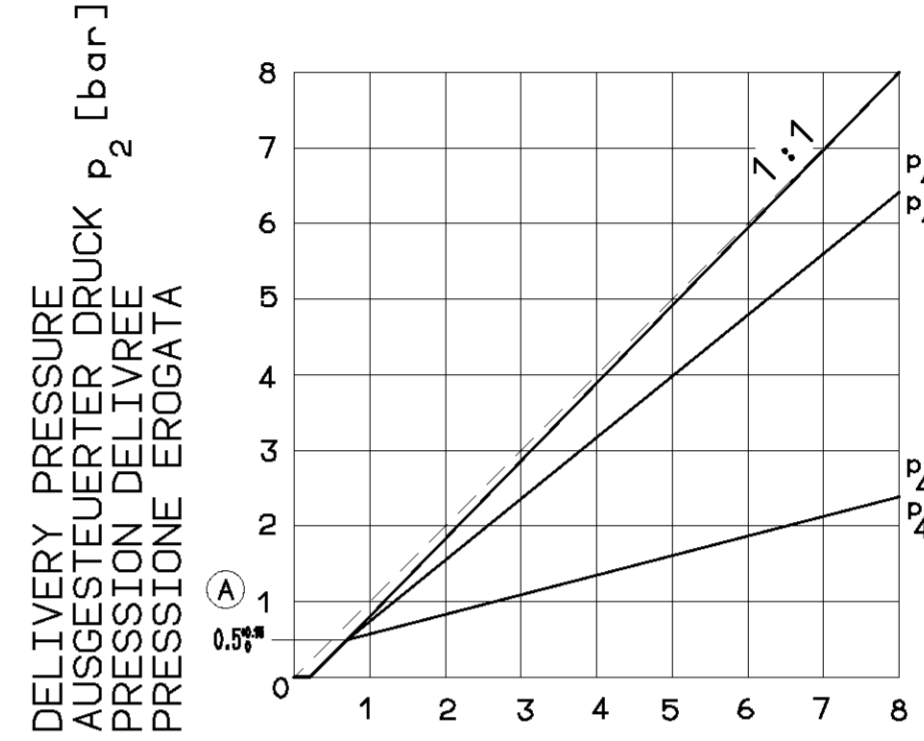


AFTER ADJUSTMENT MARKED WITH RED PAINT
 NACH EINSTELLUNG MIT ROTEM LACK GEKENNZEICHNET
 APRES AJUSTAGE MARQUE AVEC VERNIS ROUGE
 DOPO LA REGOLAZIONE MARCARE CON VERNICE ROSSA



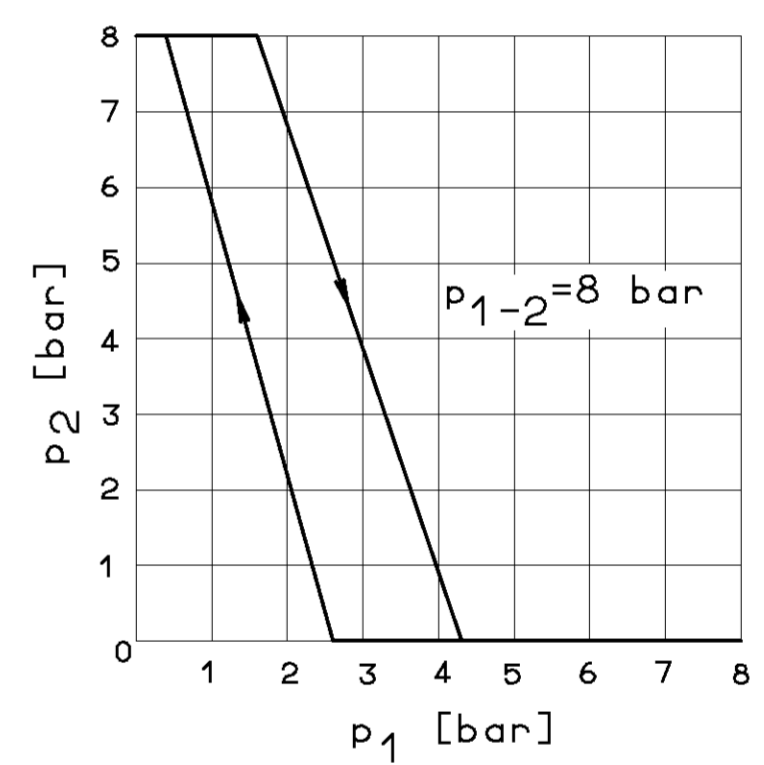
- 1 = PORT FOR SUPPLY LINE *MAX.pe10bar
 ANSCHLUSS FUER VORRATSLEITUNG
 ORIFICE POUR CONDUITE D'ALIMENTATION
 ORIFIZIO PER LA CONDOTTA D'ALIMENTAZIONE
- 1-2 = RESERVOIR SUPPLY PORT
 ANSCHLUSS FUER LUFTBEHAELTER
 ORIFICE AU RESERVOIR *MAX.pe10bar
 ORIFIZIO AI SERBATOIO
- 2 = DELIVERY PRESSURE
 AUSGESTEUERTER DRUCK
 PRESSION DELIVREE
 PRESSIONE EROGATA
- 3 = EXHAUST
 ENTLUEFTUNG
 ECHAPPEMENT
 SCARICO
- 1/4 = PORT FOR CONTROL LINE *MAX.pe10bar
 ANSCHLUSS FUER BREMSLEITUNG
 ORIFICE POUR CONDUITE DE COMMANDE
 ORIFIZIO PER LA CONDOTTA DI COMANDO
- 41 = CONTROL PRESSURE
 STEUERDRUCK
 PRESSION DE COMMANDE *MAX.pe12bar
 PRESSIONE DI COMANDO
- 42 = CONTROL PRESSURE
 STEUERDRUCK
 PRESSION DE COMMANDE *MAX.pe12bar
 PRESSIONE DI COMANDO
- 43 = TEST CONNECTION
 PRUEFANSCHLUSS
 RACCORD D'EPREUVE *MAX.pe12bar
 RACCORDO DI PROVA

MEDIUM: AIR
 MEDIUM: LUFT
 FLUIDE: AIR
 FLUIDO: ARIA



DELIVERY PRESSURE
 AUSGESTEUERTER DRUCK
 PRESSION DELIVREE
 PRESSIONE EROGATA

INLET PRESSURE
 EINGESTEUERTER DRUCK
 PRESSION D'ALIMENTATION
 PRESSIONE DI ALIMENTAZIONE



WORKING PRESSURE:
 BETRIEBSDRUCK:
 PRESSION DE SERVICE:
 PRESSIONE D'ESERCIZIO:

THERMAL RANGE OF APPLICATION:
 THERMISCHER ANWENDUNGSBEREICH:
 GAMME D'APPLICATION THERMIQUE: -40°...+80° C
 CAMPO DI APPLICAZIONE TERMICA:

GENERAL SPECIFICATION: JED-034		CADAM-DRAWING COPYRIGHT: WABCO	
FURTHER TECHNICAL DATA:		DATE: 92-12-04	
DOC. CODE: SHEET: TO:		DRAWN: HALUKE	
GENERAL TOLERANCES:		CHECKED: FAUCK	
RANGE OF NOMINAL DIMENSIONS (± mm)		92-12-08 KIEL DEIKE	
CLASS	1)	≤50	≤180
		>50	>180
		≤400	>400
FINE	X	0,5	1,0
MEDIUM	X	1,0	2,0
COARSE	X	2,0	3,0
		3,0	4,0
		5,0	6,5
TAPPED HOLES ACC. ISO 4039 / JED-162		DATE: 98-07-01	
1) TOLERANCE CLASS APPLIED CROSSMARKED		066755 1x A	
		REV. DATE	
		A 1 140	
		SHAPE CODE	
		REPLACEMENT FOR	
		EXP. CODE 7142	
		PRODUCT TYPE 010	