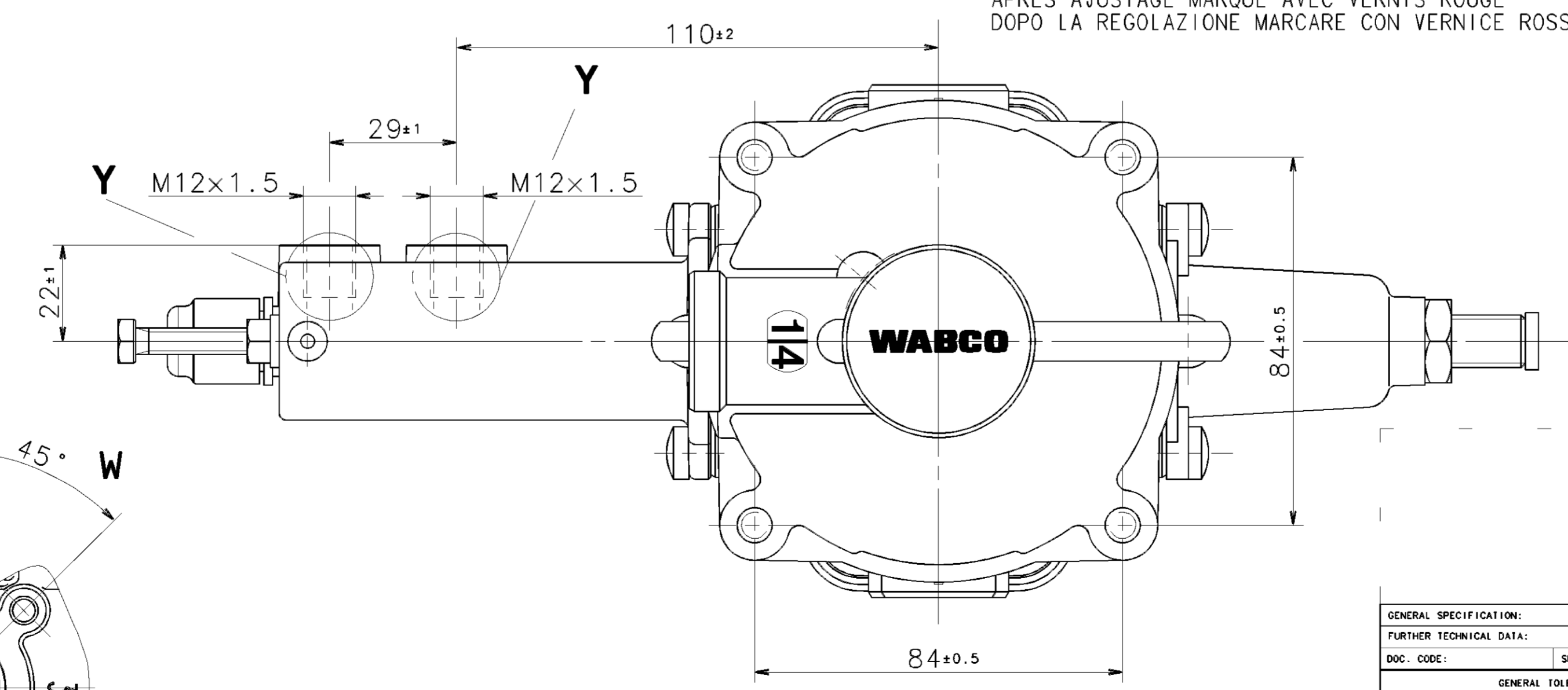
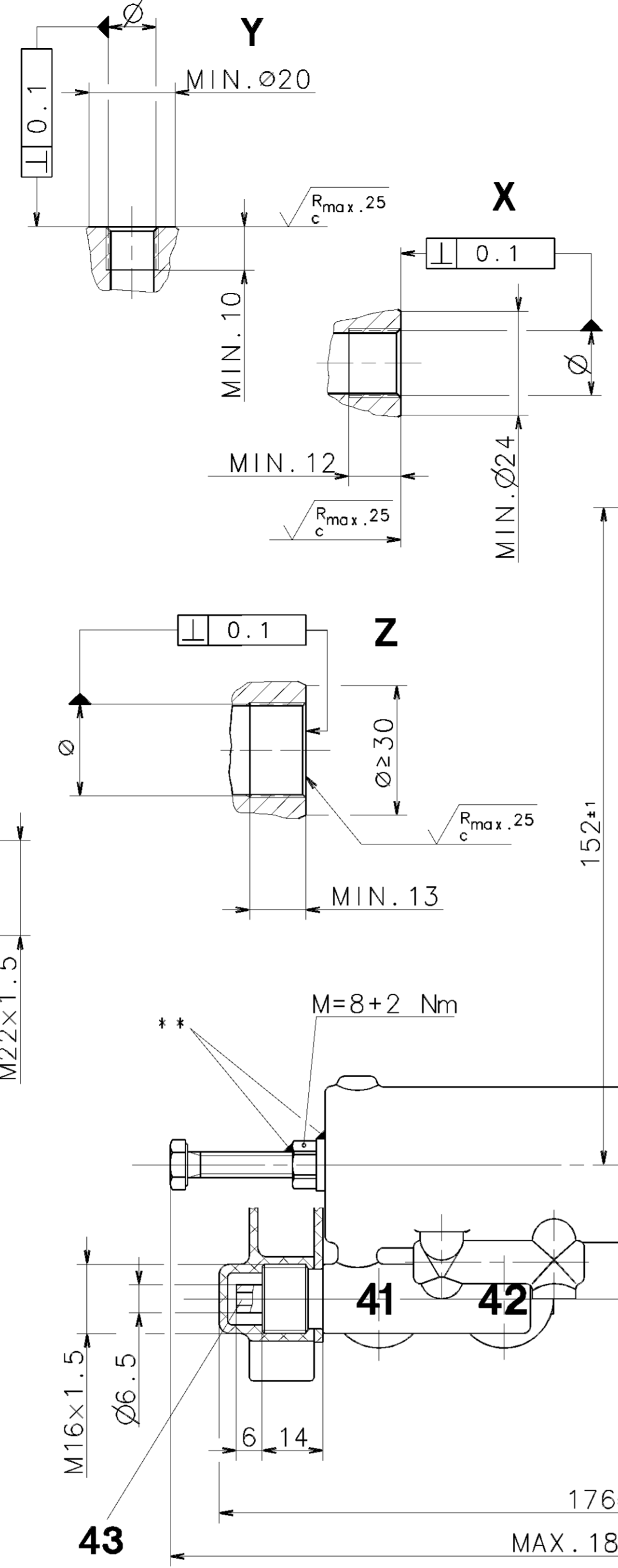
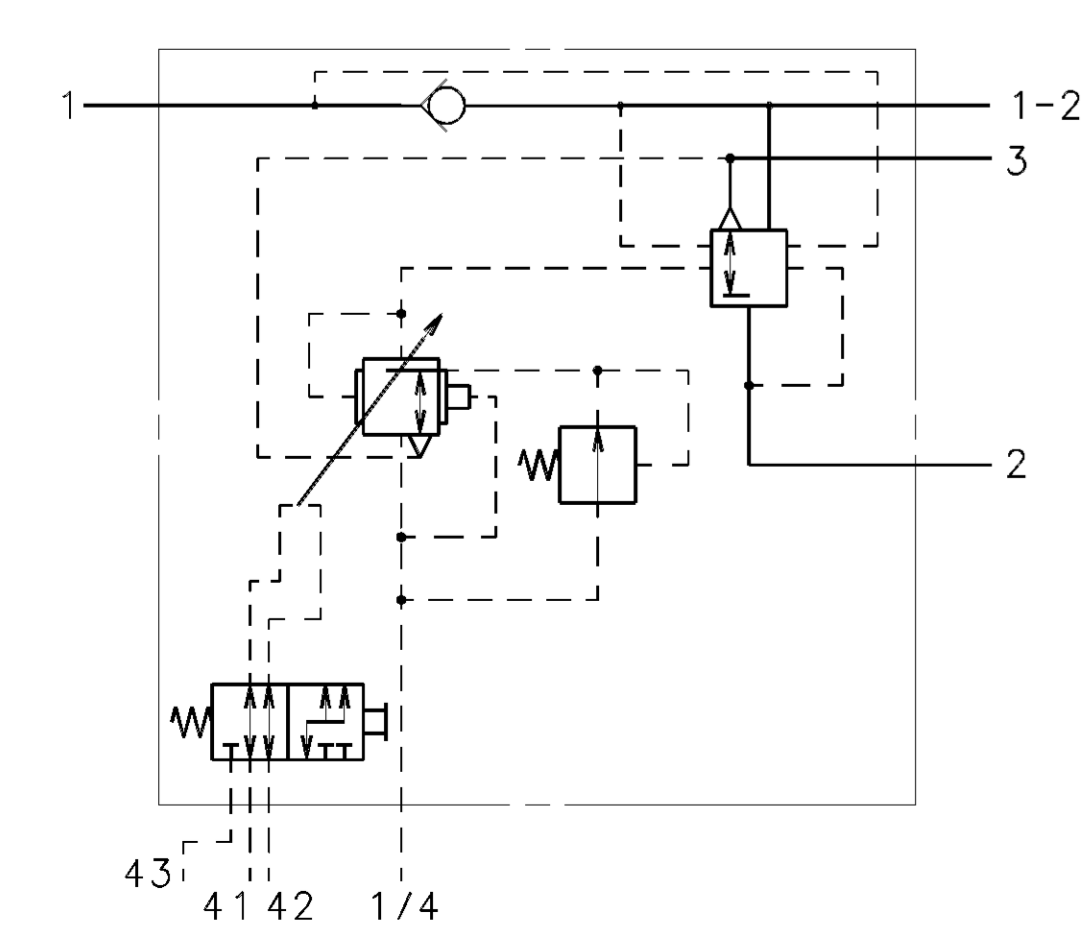


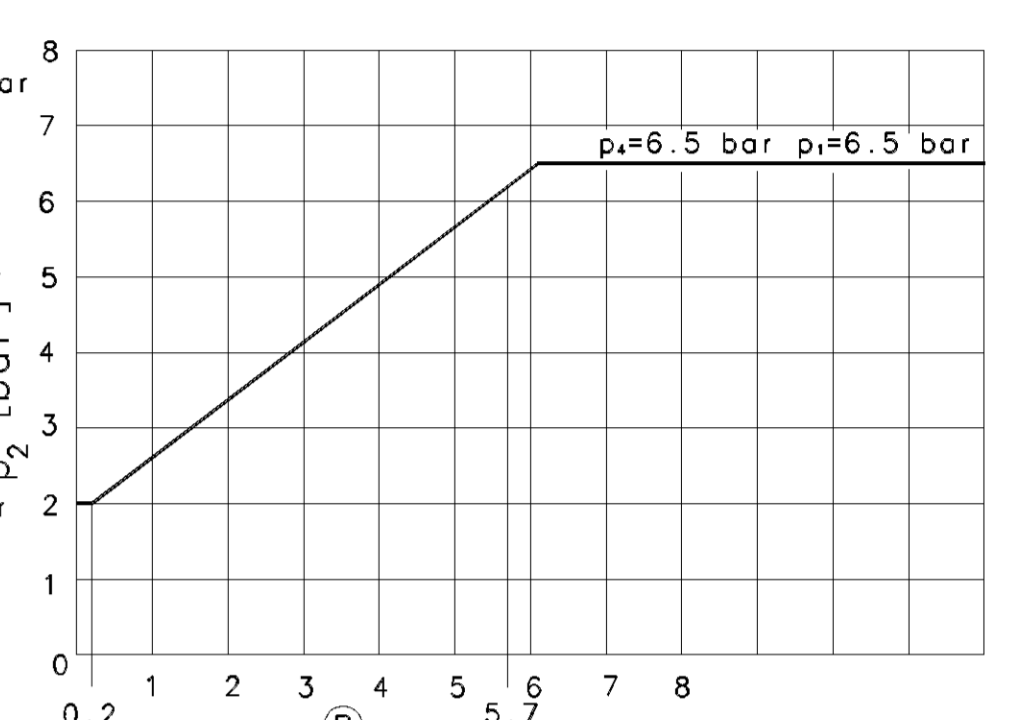
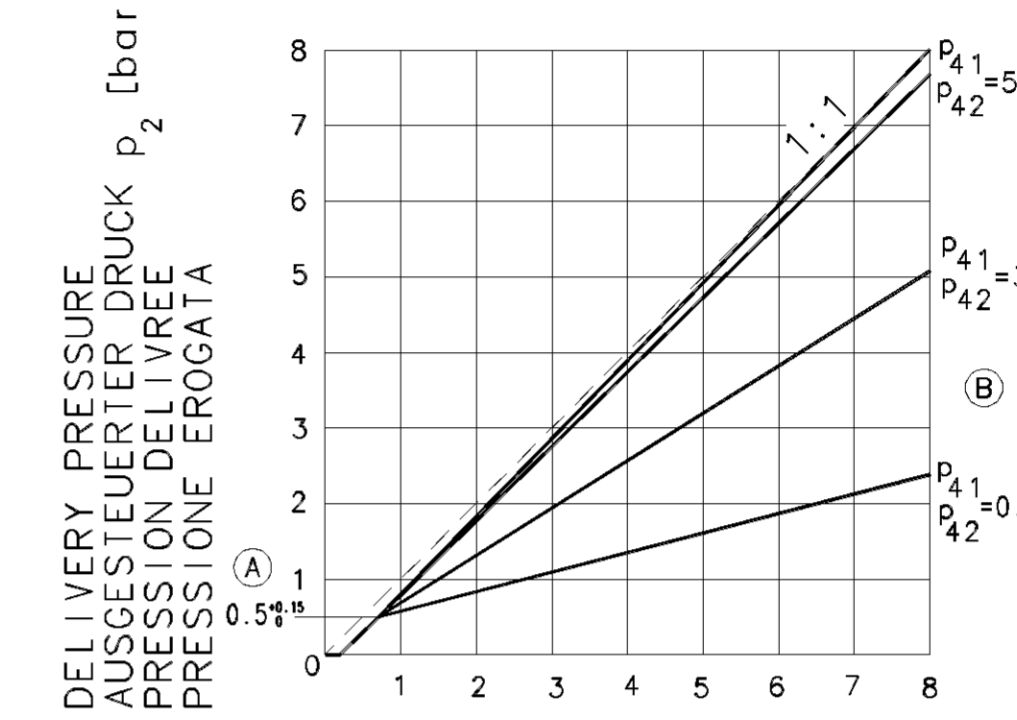
TORQUE FOR CONNECTIONS:
 ANZUGSMOMENT FUER EINSCHRAUBSTUTZEN: M12x1.5 : MAX. 21Nm
 COUPLE DE SERRAGE DES RACCORDS: M16x1.5 : MAX. 34Nm
 COPPIA DI SERRAGGIO DEI RACCORDI: M22x1.5 : MAX. 53Nm

INSTALLATION POSITION AS DRAWN
 EINBAULAGE WIE GEZEICHNET
 POSITION D'INSTALLATION SUIVANT DESSIN
 POSIZIONE DI MONTAGGIO COME DISEGNATO



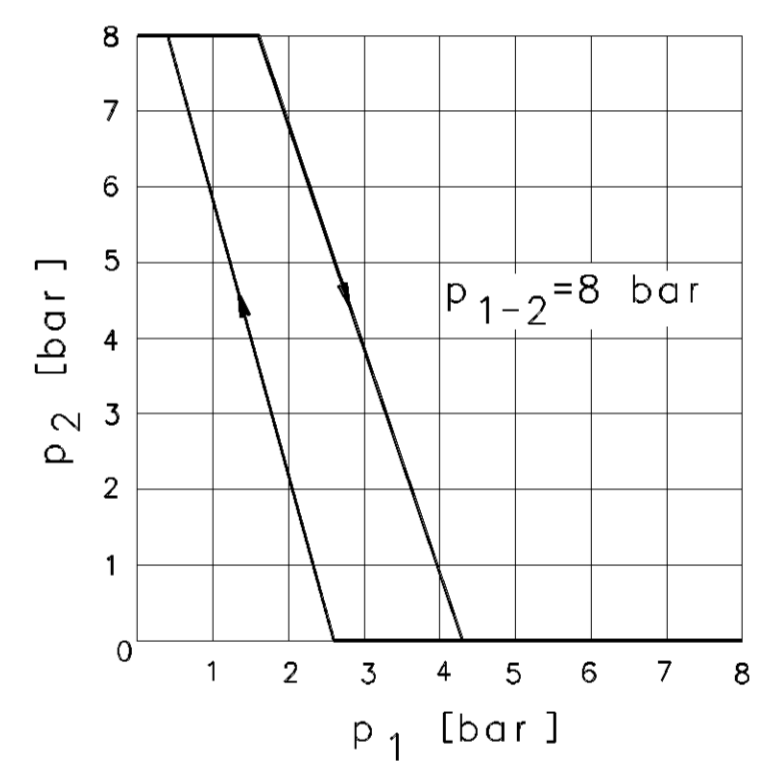
AFTER ADJUSTMENT MARKED WITH RED PAINT
 NACH EINSTELLUNG MIT ROTEM LACK GEKENNZEICHNET
 APRES AJUSTAGE MARQUE AVEC VERNIS ROUGE
 DOPO LA REGOLAZIONE MARCARE CON VERNICE ROSSA

- 1= PORT FOR SUPPLY LINE *MAX. pe10bar
 ANSCHLUSS FUER VORRATSLEITUNG
 ORIFICE POUR CONDUITE D'ALIMENTATION
 ORIFIZIO PER LA CONDOTTA D'ALIMENTAZIONE
- 1-2= RESERVOIR SUPPLY PORT
 ANSCHLUSS FUER LUFTBEHAELTER
 ORIFICE AU RESERVOIR *MAX. pe10bar
 ORIFIZIO AI SERBATOIO
- 2= DELIVERY PRESSURE
 AUSGESTEUERTER DRUCK
 PRESSION DELIVREE
 PRESSIONE EROGATA
- 3= EXHAUST
 ENTLUEFTUNG
 ECHAPPEMENT
 SCARICO
- 1/4= PORT FOR CONTROL LINE *MAX. pe10bar
 ANSCHLUSS FUER BREMSLEITUNG
 ORIFICE POUR CONDUITE DE COMMANDE
 ORIFIZIO PER LA CONDOTTA DI COMANDO
- 41= CONTROL PRESSURE
 STEUERDRUCK
 PRESSION DE COMMANDE *MAX. pe12bar
 PRESSIONE DI COMANDO
- 42= TEST CONNECTION
 PRUEFANSCHLUSS
 RACCORD D'EPREUVE *MAX. pe12bar
 RACCORDO DI PROVA
- MEDIUM: AIR
 MEDIUM: LUFT
 FLUIDE: AIR
 FLUIDO: ARIA



INLET PRESSURE
 EINGESTEUERTER DRUCK
 PRESSION D'ALIMENTATION
 PRESSIONE DI ALIMENTAZIONE

CONTROL PRESSURE
 STEUERDRUCK
 PRESSION DE COMMANDE
 PRESSIONE DI COMANDO



WORKING PRESSURE:
 BETRIEBSDRUCK:
 PRESSION DE SERVICE:
 PRESSIONE D'ESERCIZIO:

THERMAL RANGE OF APPLICATION:
 THERMISCHER ANWENDUNGSBEREICH:
 GAMME D'APPLICATION THERMIQUE: -40°...+80° C
 CAMPO DI APPLICAZIONE TERMICA:

GENERAL SPECIFICATION: JED-334		CADAM-SEALING COPYRIGHT	
FURTHER TECHNICAL DATA: DOC. CODE: SHEET: TO		DATE: SIGNATURE:	
GENERAL TOLERANCES RANGE OF NOMINAL DIMENSIONS (± mm)		DRAWN: 93-01-19 KRETER	
CLASS	1)	0.5	1.0
		1.5	2.0
		3.0	4.0
		5.0	6.5
FINE		CHECKED: 93-01-20 FAUX/KIHEL/DEKE	
MEDIUM X		STANDARDIZATION: 93-01-21 PANTZER	
COARSE		PRODUCT IDENTIFICATION NO. 475 715 507 0	
TAPPED HOLES ACC. ISO 4039 / JED-152		DOC. CODE: SHEET: 605 1/1	
1) TOLERANCE CLASS APPLIED CROSSMARKED		REPLACEMENT FOR:	
DGN-NO. REV. DATE		SHAPE CODE	
084986 2x B 03-09-17		REPLACEMENT FOR:	
066750 1x A 98-06-26		REPLACEMENT FOR:	
DATE		REPLACEMENT FOR:	
A 1 140		REPLACEMENT FOR:	
100mm		REPLACEMENT FOR:	
EXPERT CODE: 7142		REPLACEMENT FOR:	
PRODUCT TYPE: 010		REPLACEMENT FOR:	