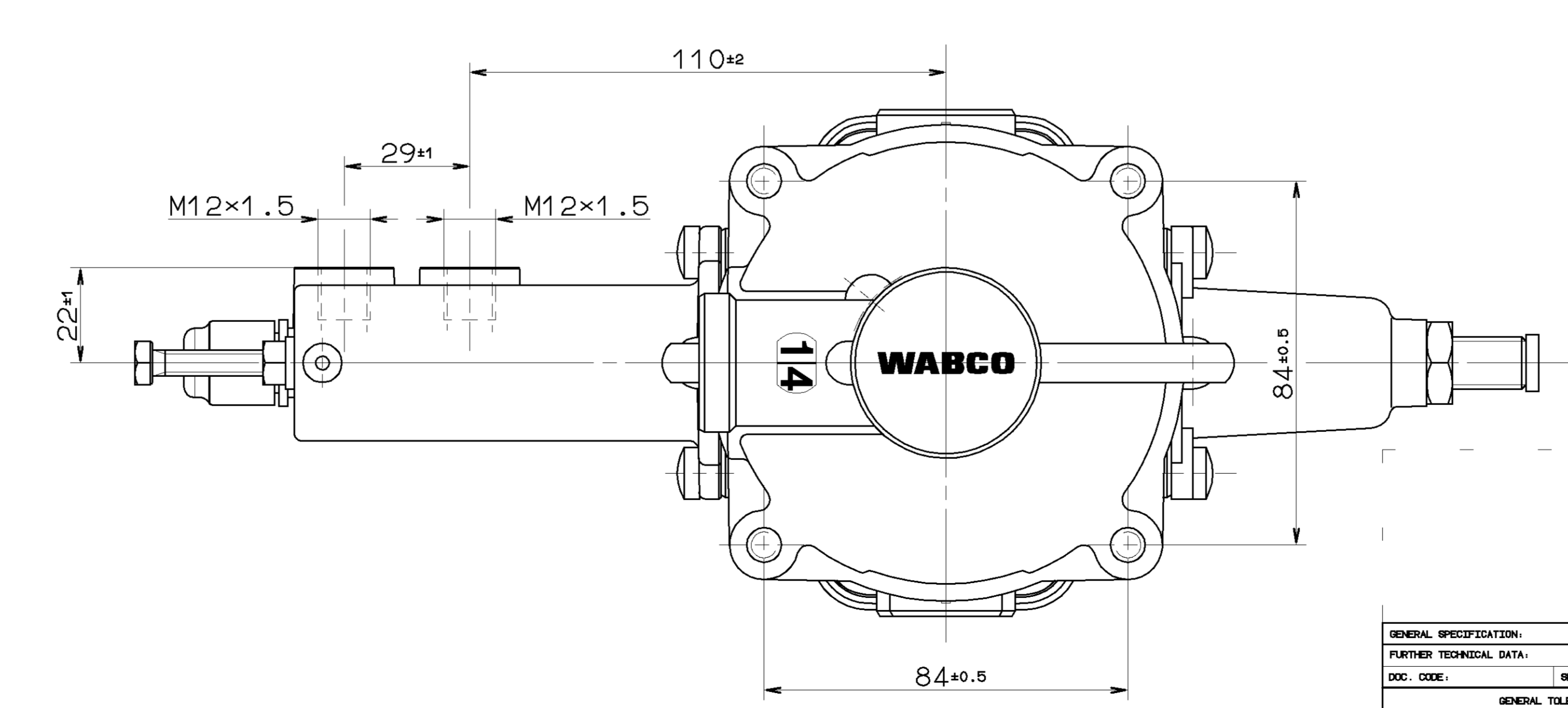
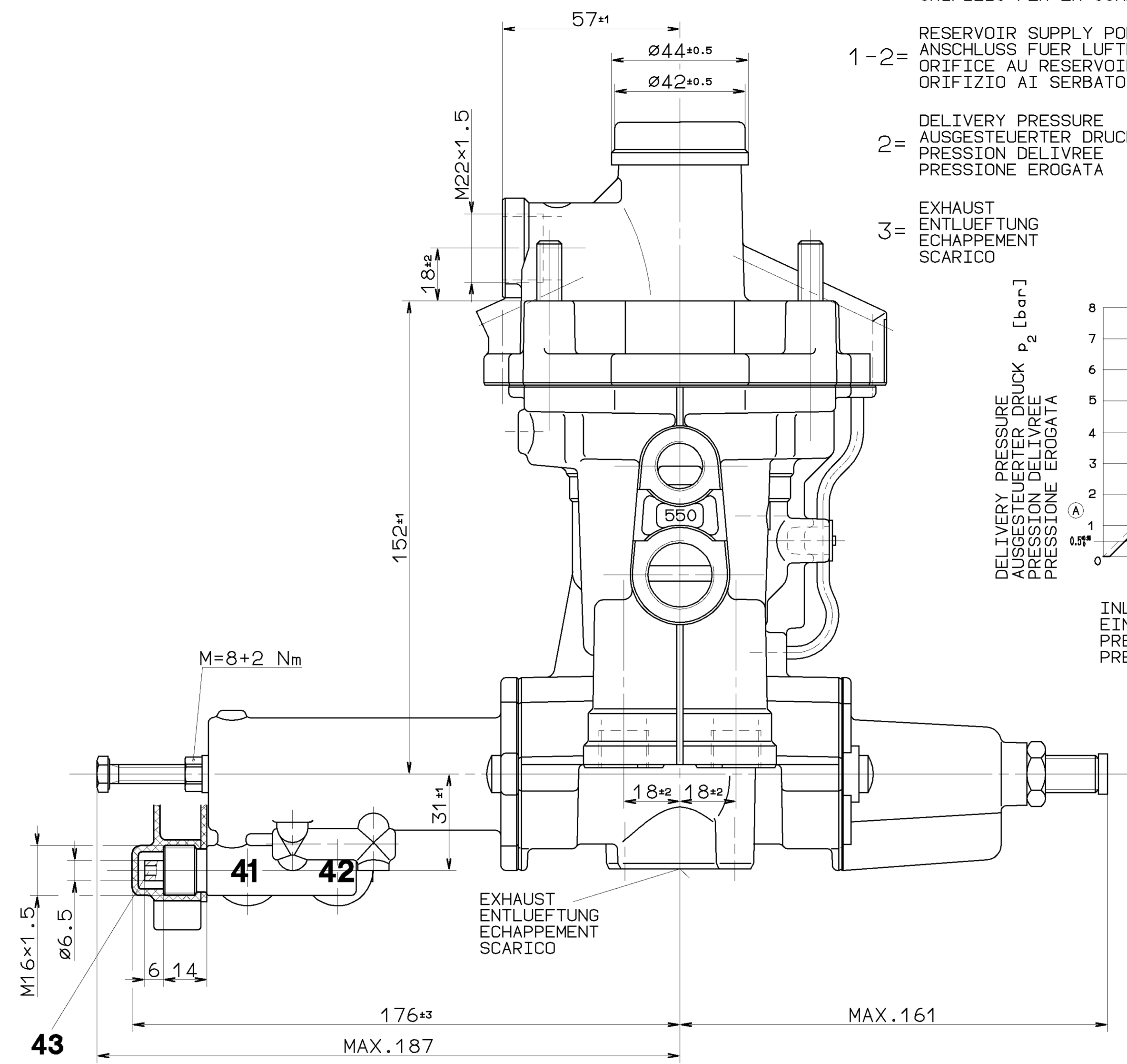
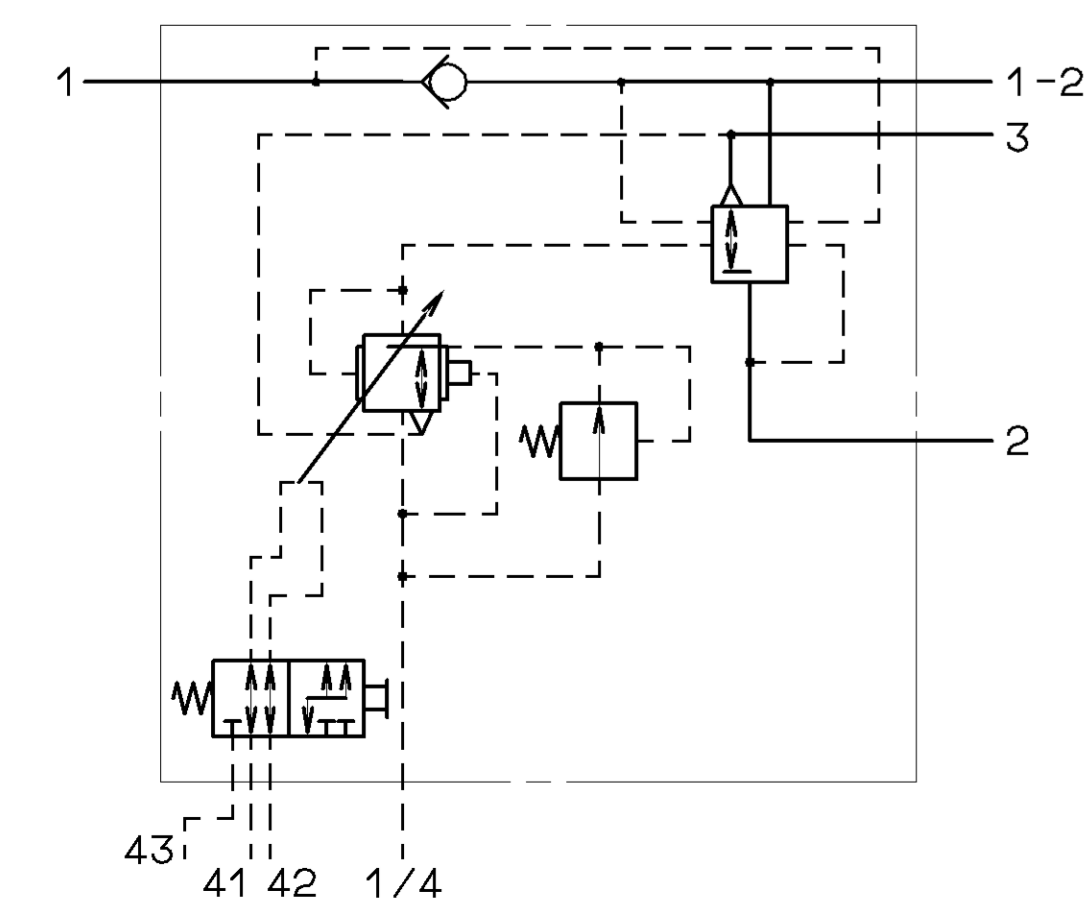
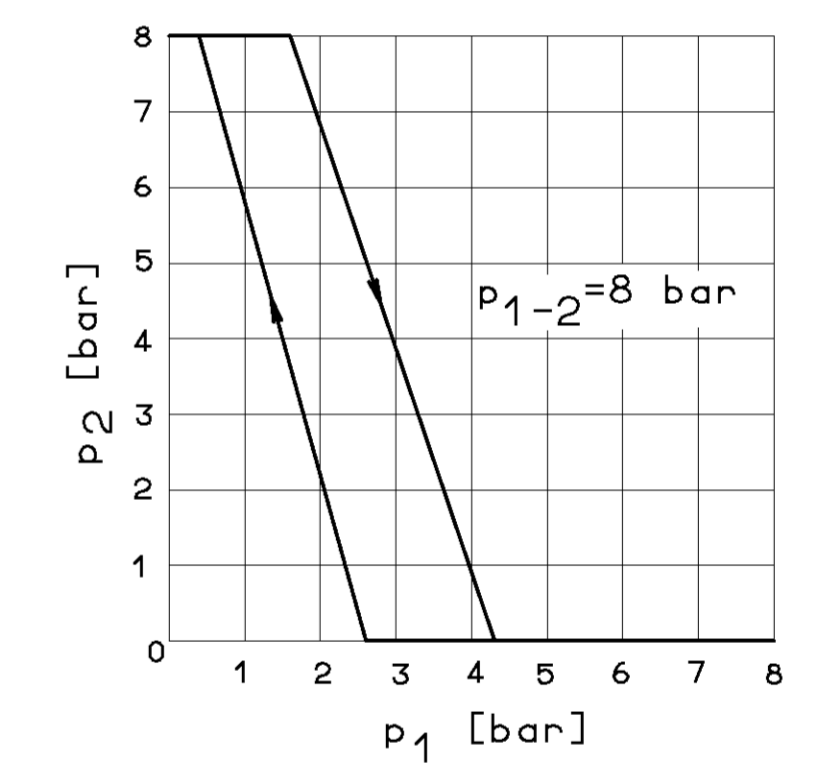
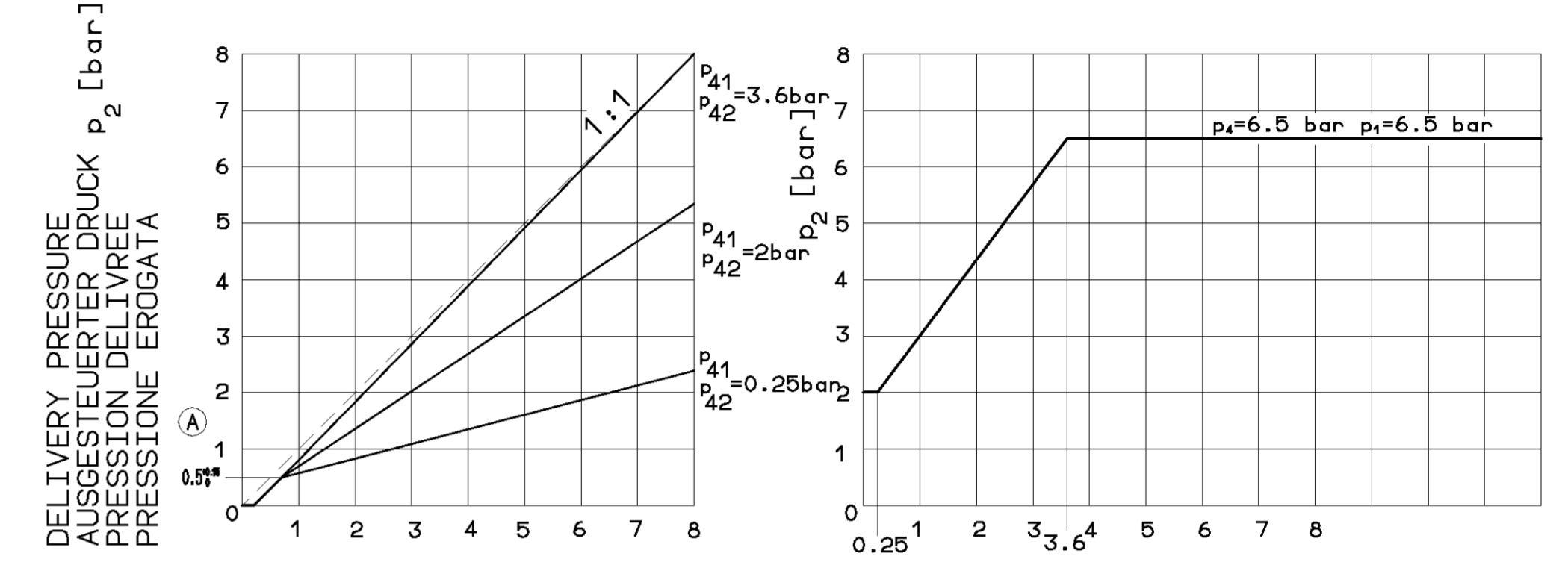


TORQUE FOR CONNECTIONS:  
 ANZUGSMOMENT FUER EINSCHRAUBSTUTZEN: M12x1.5 : MAX.21Nm  
 COUPLE DE SERRAGE DES RACCORDS: M16x1.5 : MAX.34Nm  
 COPPIA DI SERRAGGIO DEI RACCORDI: M22x1.5 : MAX.53Nm

INSTALLATION POSITION AS DRAWN  
 EINBAUlage WIE GEZEICHNET  
 POSITION D'INSTALLATION SUIVANT DESSIN  
 POSIZIONE DI MONTAGGIO COME DISEGNATO



- 1 = PORT FOR SUPPLY LINE \*MAX. pe10bar  
ANSCHLUSS FUER VORRATSLEITUNG  
ORIFICE POUR CONDUITE D'ALIMENTATION  
ORIFIZIO PER LA CONDOTTA D'ALIMENTAZIONE
- 1-2 = RESERVOIR SUPPLY PORT  
ANSCHLUSS FUER LUFTBEHAELTER  
ORIFICE AU RESERVOIR \*MAX. pe10bar  
ORIFIZIO AI SERBATOIO
- 2 = DELIVERY PRESSURE  
AUSGESTEUERTER DRUCK  
PRESSION DELIVREE \*MAX. pe10bar  
PRESSIONE EROGATA
- 3 = EXHAUST  
ENTLUEFTUNG  
ECHAPPEMENT  
SCARICO
- 1/4 = PORT FOR CONTROL LINE \*MAX. pe10bar  
ANSCHLUSS FUER BREMSLEITUNG  
ORIFICE POUR CONDUITE DE COMMANDE  
ORIFIZIO PER LA CONDOTTA DI COMANDO
- 41 = CONTROL PRESSURE  
STEUERDRUCK  
PRESSION DE COMMANDE \*MAX. pe12bar  
PRESSIONE DI COMANDO
- 42 = TEST CONNECTION  
PRUEFANSCHLUSS  
RACCORD D'EPREUVE \*MAX. pe12bar  
RACCORDO DI PROVA
- MEDIUM: AIR  
MEDIUM: LUFT  
FLUIDE: AIR  
FLUIDO: ARIA



GENERAL SPECIFICATION: JED-034		CADAM-DRAWING COPYRIGHT	
FURTHER TECHNICAL DATA:		DATE: 95-08-04	
DOC. CODE: SHEET: TO:		DRAWN: ELZE/FAU.	
GENERAL TOLERANCES		CHECKED: ANTONICEK	
RANGE OF NOMINAL DIMENSIONS (± mm)		STANDARDIZATION: 95-08-04	
CLASS	1)	> 50	180
		≤ 180	≤ 400
		≤ 400	> 400
FINE		0,5	1,0
MEDIUM	X	1,0	2,0
COARSE		2,0	3,5
		5,0	6,5
TAPPED HOLES ACC. ISO 4039 / JED-162		066755 1xA 98-07-01	
1) TOLERANCE CLASS APPLIED CROSSMARKED		DEN-NO. REV. DATE	
		A 1 140	
		SHAPE CODE	
		REPLACEMENT FOR	
		EXPERT CODE 7142	
		PRODUCT TYPE 010	