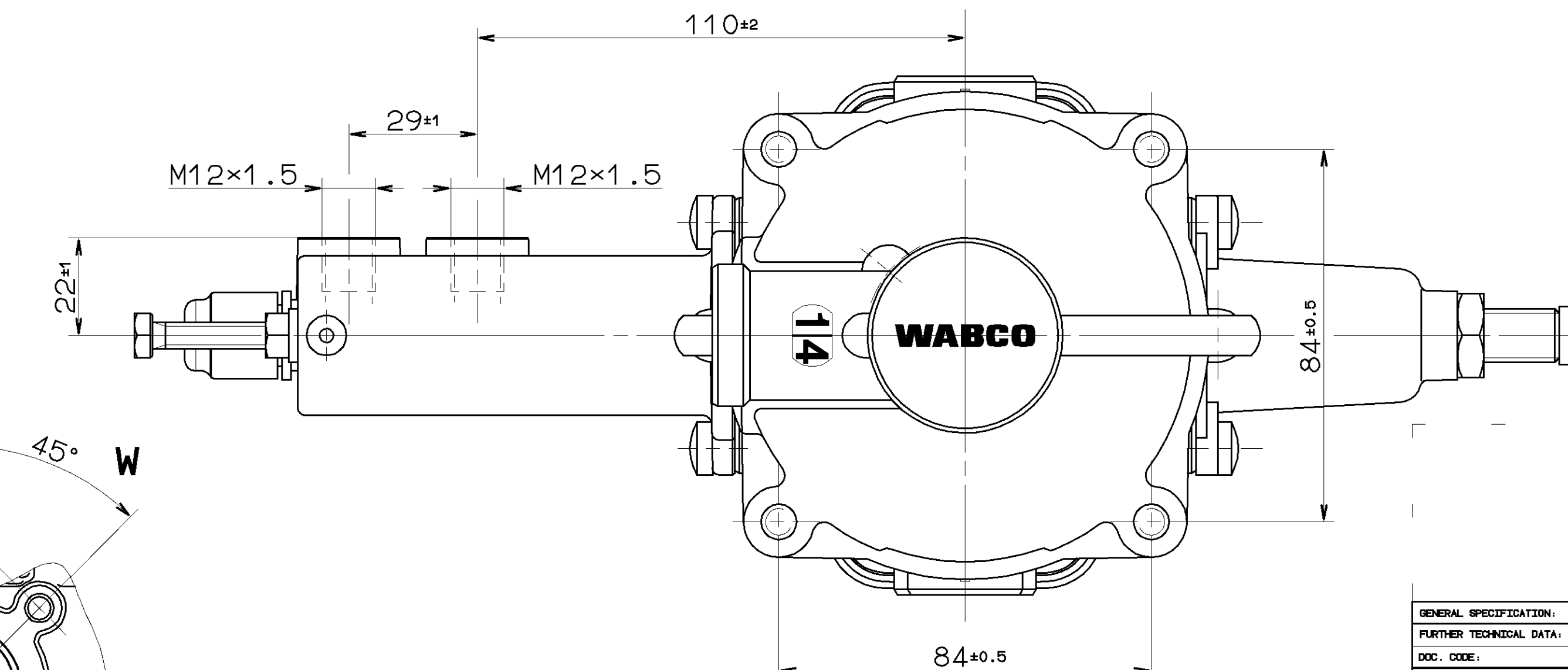
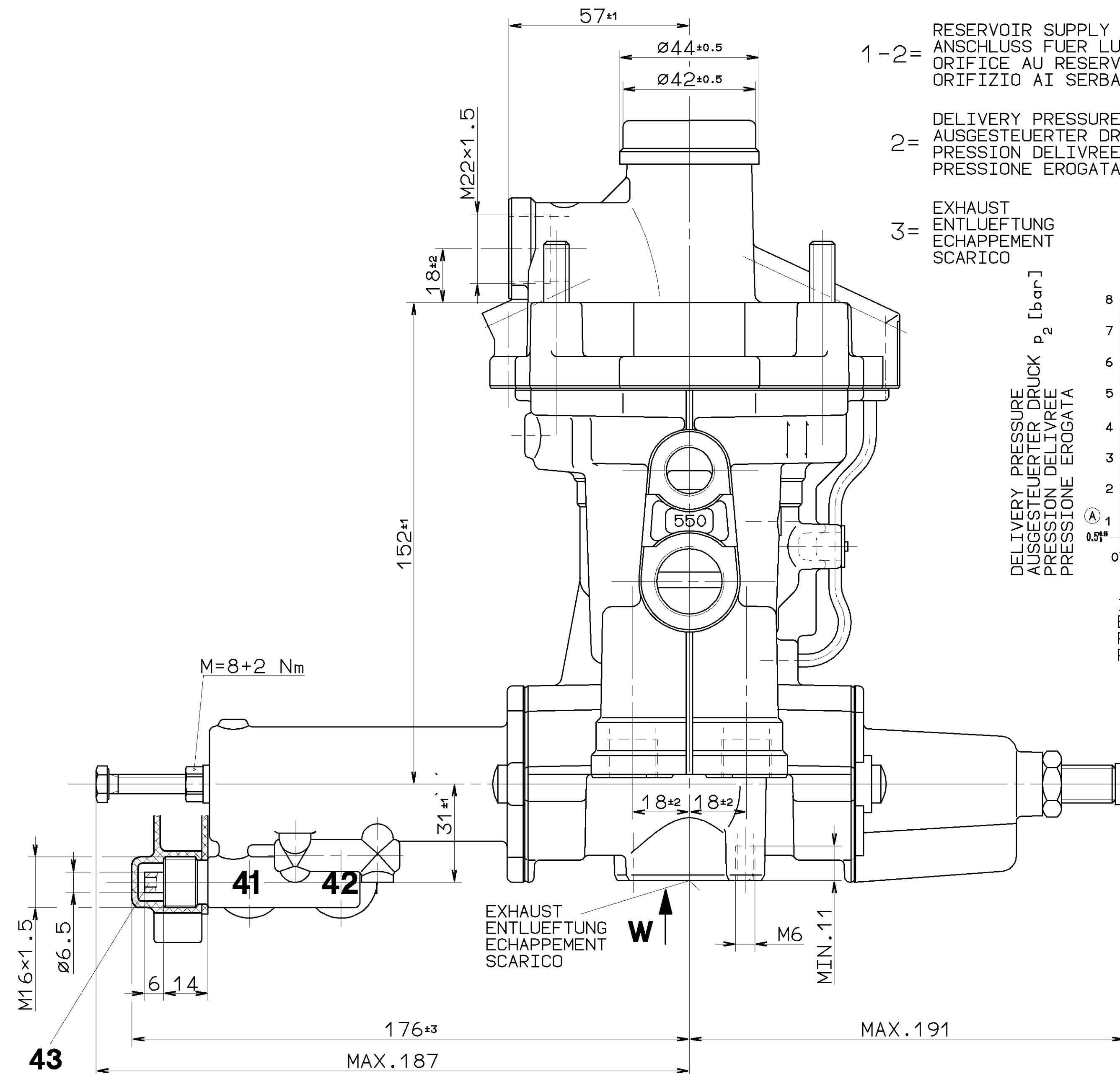
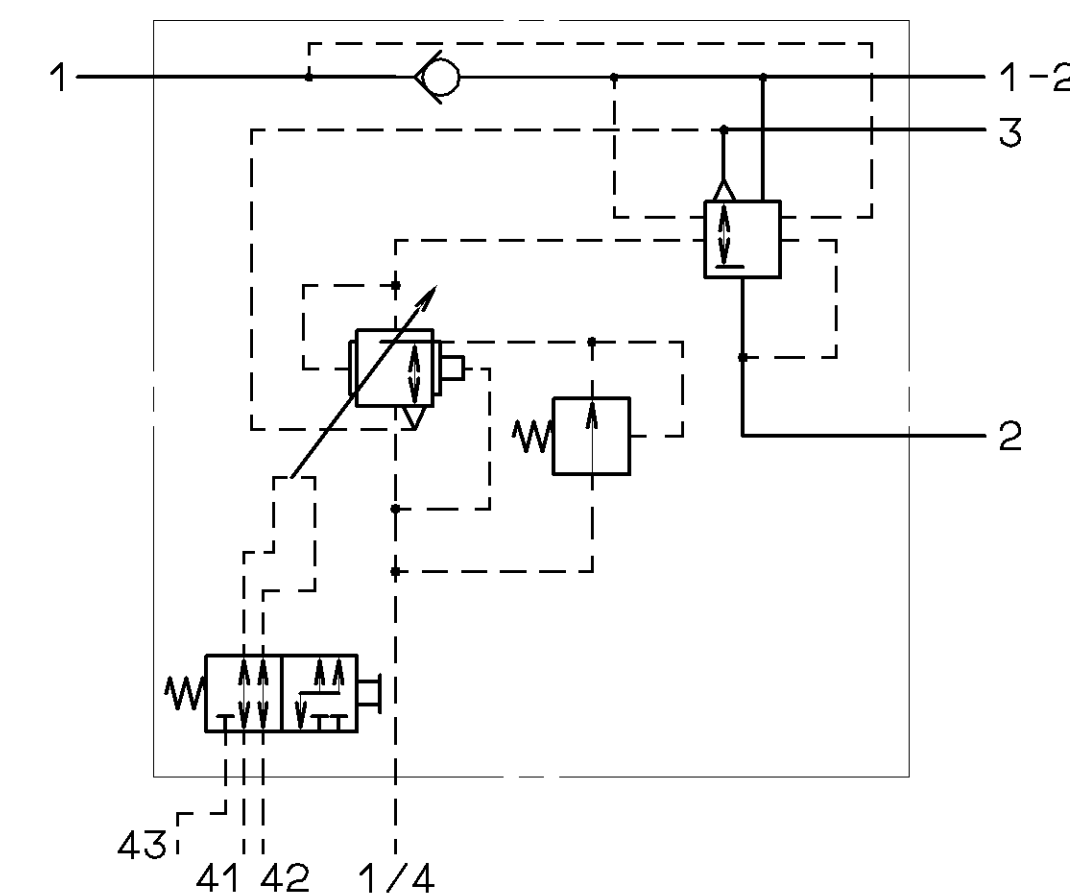


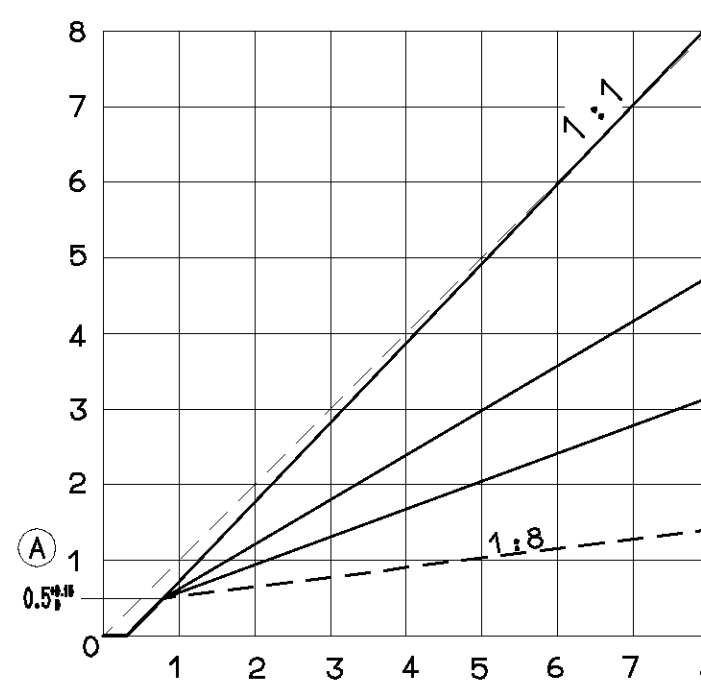
TORQUE FOR CONNECTIONS:  
 ANZUGSMOMENT FUER EINSCHRAUBSTUTZEN: M12x1.5 : MAX.21Nm  
 COUPLE DE SERRAGE DES RACCORDS: M16x1.5 : MAX.34Nm  
 COPPIA DI SERRAGGIO DEI RACCORDI: M22x1.5 : MAX.53Nm

INSTALLATION POSITION AS DRAWN  
 EINBAUlage WIE GEZEICHNET  
 POSITION D'INSTALLATION SUIVANT DESSIN  
 POSIZIONE DI MONTAGGIO COME DISEGNATO



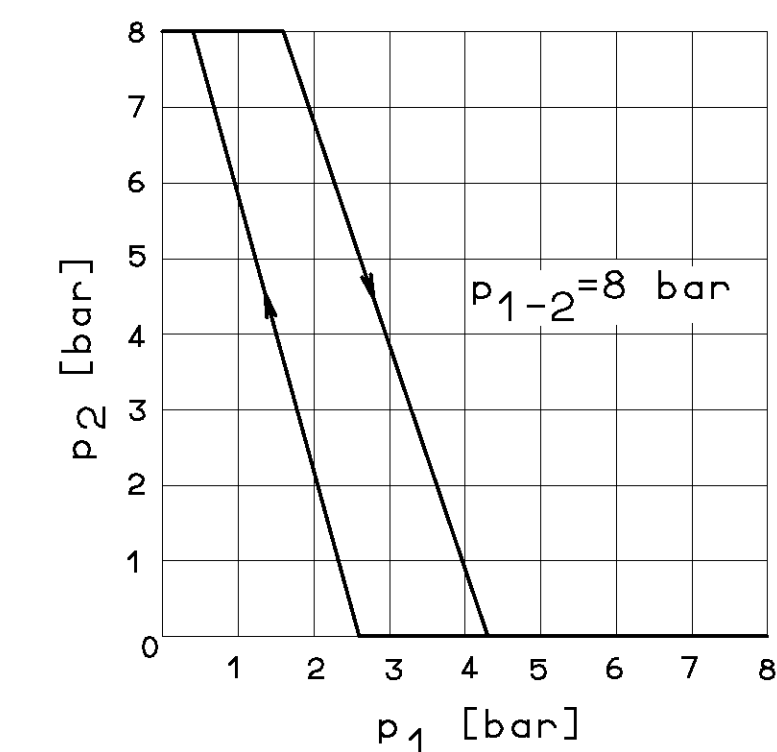
- 1 = PORT FOR SUPPLY LINE  
ANSCHLUSS FUER VORRATSLEITUNG  
ORIFICE POUR CONDUITE D'ALIMENTATION  
ORIFIZIO PER LA CONDOTTA D'ALIMENTAZIONE
  - 1-2 = RESERVOIR SUPPLY PORT  
ANSCHLUSS FUER LUFTBEHAELTER  
ORIFICE AU RESERVOIR  
ORIFIZIO AI SERBATOIO
  - 2 = DELIVERY PRESSURE  
AUSGESTEUERTER DRUCK  
PRESSION DELIVREE  
PRESSIONE EROGATA
  - 3 = EXHAUST  
ENTLUEFTUNG  
ECHAPPEMENT  
SCARICO
  - 114 = PORT FOR CONTROL LINE  
ANSCHLUSS FUER BREMSLEITUNG  
ORIFICE POUR CONDUITE DE COMMANDE  
ORIFIZIO PER LA CONDOTTA DI COMANDO
  - 41 = CONTROL PRESSURE  
STEUERDRUCK  
PRESSION DE COMMANDE  
PRESSIONE DI COMANDO
  - 42 = CONTROL PRESSURE  
STEUERDRUCK  
PRESSION DE COMMANDE  
PRESSIONE DI COMANDO
  - 43 = TEST CONNECTION  
PRUEFANSCHLUSS  
RACCORD D'EPREUVE  
RACCORDO DI PROVA
- MEDIUM: AIR  
 MEDIUM: LUFT  
 FLUIDE: AIR  
 FLUIDO: ARIA

DELIVERY PRESSURE  
 AUSGESTEUERTER DRUCK  $p_2$  [bar]  
 PRESSION DELIVREE  
 PRESSIONE EROGATA



INLET PRESSURE  
 EINGESTEUERTER DRUCK  
 PRESSION D'ALIMENTATION  $p_4$  [bar]  
 PRESSIONE DI ALIMENTAZIONE

CONTROL PRESSURE  
 STEUERDRUCK  
 PRESSION DE COMMANDE  $p_{41} = p_{42}$  [bar]  
 PRESSIONE DI COMANDO



WORKING PRESSURE:  
 BETRIEBSDRUCK:  
 PRESSION DE SERVICE:  
 PRESSIONE D'ESERCIZIO:

BRAKING PART:  
 BREMSTEIL:  
 PARTIE FREINAGE:  
 PARTE FRENO: MAX.  $p_e$  10bar

WORKING PRESSURE:  
 BETRIEBSDRUCK:  
 PRESSION DE SERVICE:  
 PRESSIONE D'ESERCIZIO:

CONTROL PART:  
 STEUERTEIL:  
 PARTIE COMMANDE:  
 PARTE COMANDO: MAX.  $p_e$  12bar

THERMAL RANGE OF APPLICATION:  
 THERMISCHER ANWENDUNGSBEREICH:  
 GAMME D'APPLICATION THERMIQUE: -40°...+80° C  
 CAMPO DI APPLICAZIONE TERMICA:

GENERAL SPECIFICATION: JED-034	
FURTHER TECHNICAL DATA:	
DOC. CODE:	SHEET: TO
GENERAL TOLERANCES	
RANGE OF NOMINAL DIMENSIONS (± mm)	
CLASS	1)
0.5	1.0
1.0	2.0
2.0	3.0
3.0	4.0
4.0	5.0
5.0	6.0
6.0	7.0
7.0	8.0
8.0	9.0
9.0	10.0
10.0	11.0
11.0	12.0
12.0	13.0
13.0	14.0
14.0	15.0
15.0	16.0
16.0	17.0
17.0	18.0
18.0	19.0
19.0	20.0
20.0	21.0
21.0	22.0
22.0	23.0
23.0	24.0
24.0	25.0
25.0	26.0
26.0	27.0
27.0	28.0
28.0	29.0
29.0	30.0
30.0	31.0
31.0	32.0
32.0	33.0
33.0	34.0
34.0	35.0
35.0	36.0
36.0	37.0
37.0	38.0
38.0	39.0
39.0	40.0
40.0	41.0
41.0	42.0
42.0	43.0
43.0	44.0
44.0	45.0
45.0	46.0
46.0	47.0
47.0	48.0
48.0	49.0
49.0	50.0
50.0	51.0
51.0	52.0
52.0	53.0
53.0	54.0
54.0	55.0
55.0	56.0
56.0	57.0
57.0	58.0
58.0	59.0
59.0	60.0
60.0	61.0
61.0	62.0
62.0	63.0
63.0	64.0
64.0	65.0
65.0	66.0
66.0	67.0
67.0	68.0
68.0	69.0
69.0	70.0
70.0	71.0
71.0	72.0
72.0	73.0
73.0	74.0
74.0	75.0
75.0	76.0
76.0	77.0
77.0	78.0
78.0	79.0
79.0	80.0
80.0	81.0
81.0	82.0
82.0	83.0
83.0	84.0
84.0	85.0
85.0	86.0
86.0	87.0
87.0	88.0
88.0	89.0
89.0	90.0
90.0	91.0
91.0	92.0
92.0	93.0
93.0	94.0
94.0	95.0
95.0	96.0
96.0	97.0
97.0	98.0
98.0	99.0
99.0	100.0

DATE	SIGNATURE
97-02-05	ELZE
CHECKED:	FAULK/KIEL
STANDARDIZATION:	
MASS	SCALE
2.4 kg	1:1
SIZE	T.R.I.
A 1	140

CAD/DRAWING COPYRIGHT	
<b>WABCO</b>	
LOAD-SENSING RELAY EMERGENCY VALVE ALB-ANHAENGER-BREMSEVENTIL VALVECORRECTEUR RELAIS D'URGENCE SERVODISTRIBUTORE-CORRETTORE RELE	
PRODUCT IDENTIFICATION NO.	DOC. CODE SHEET
475 715 513 0	605 1/1
SHAPE CODE	REPLACEMENT FOR

1000/016/C/004 05