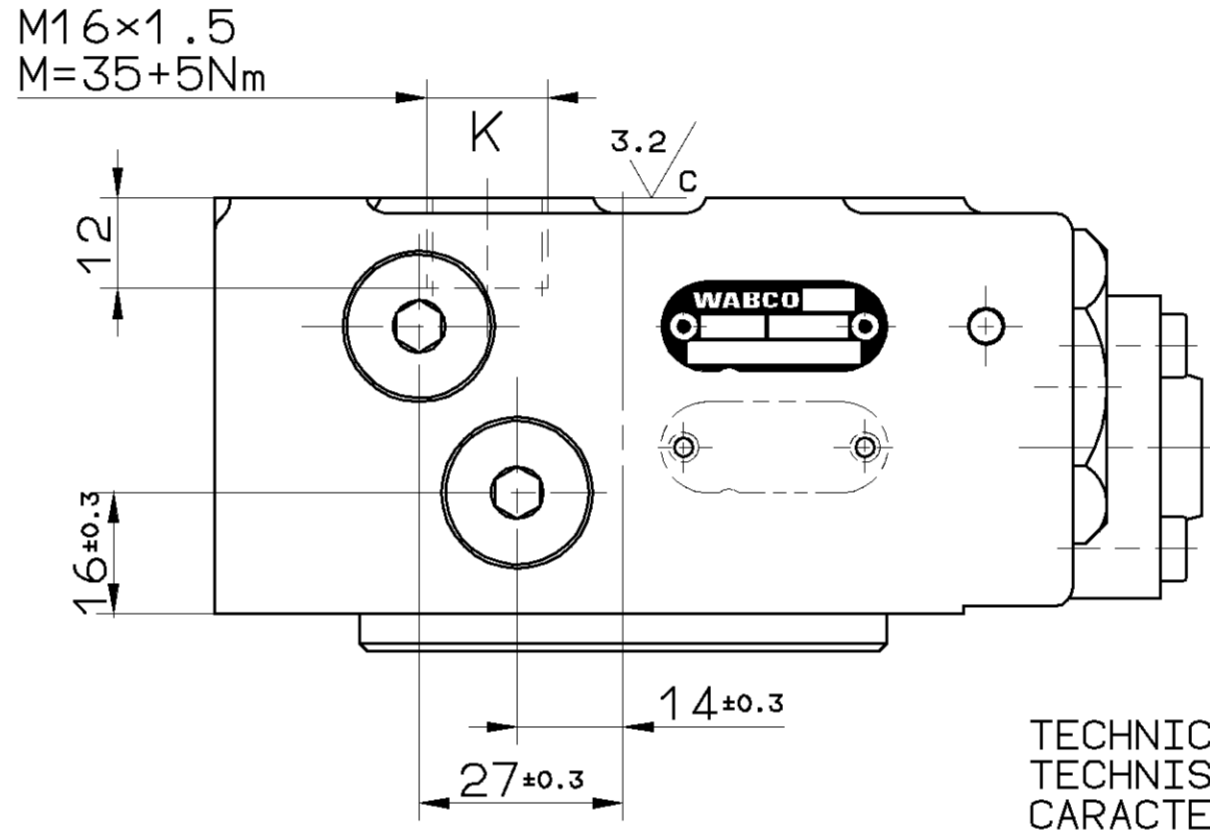
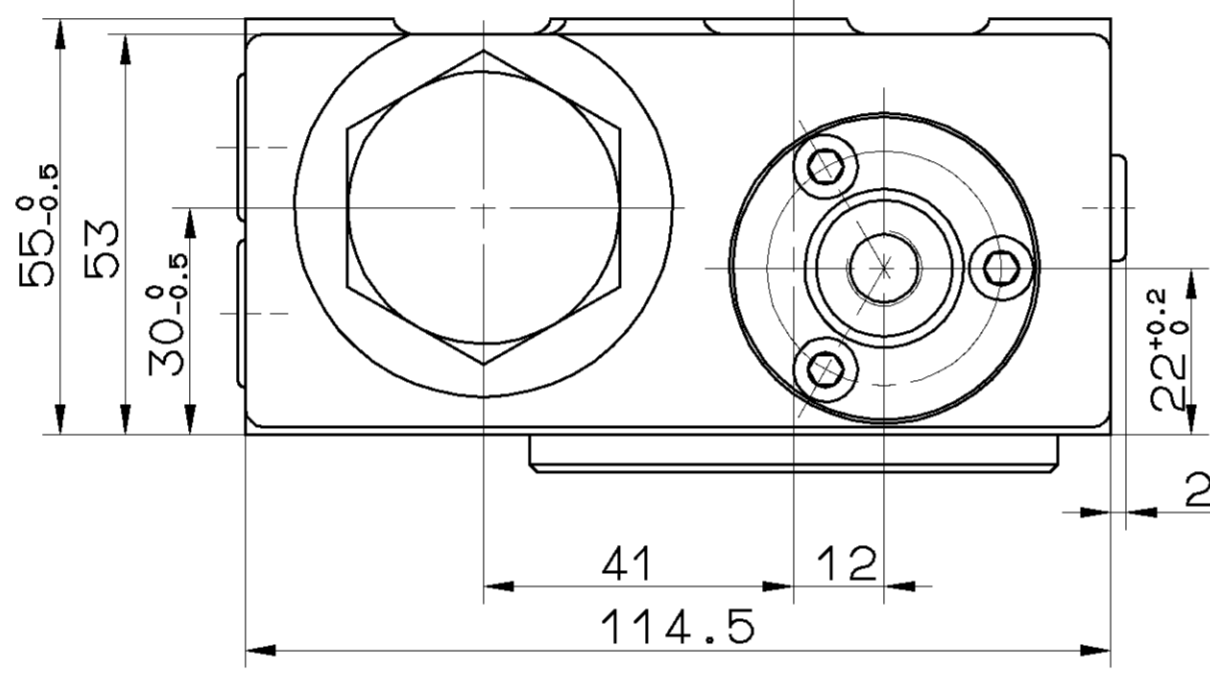
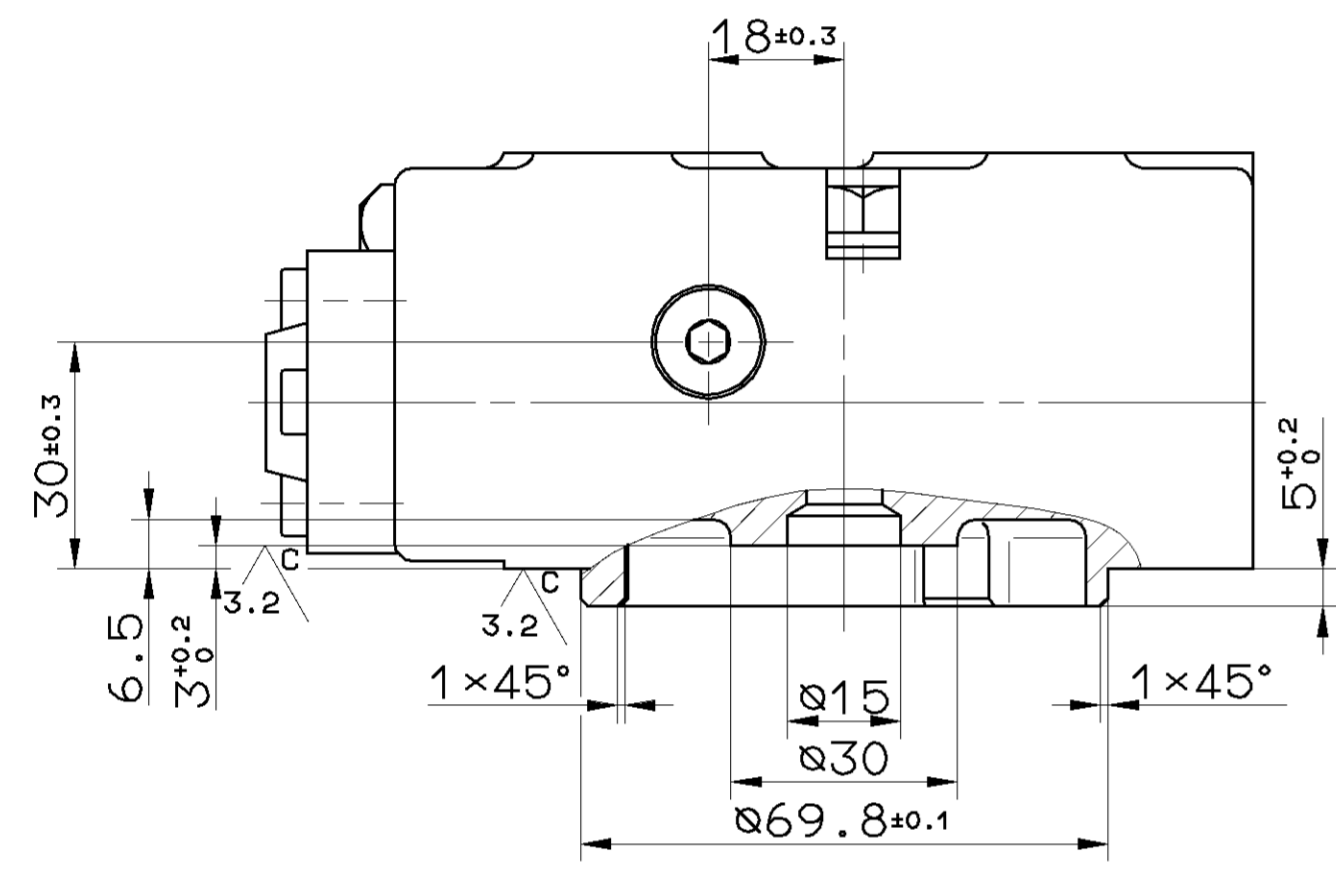


THE CHARACTERISTIC CURVE APPLIES TO:  
 KURVE GUELTIG FUER:  
 LA COURBE CARACTERISTIQUE S'APPLIQUE:  
 LA CURVA CARATTERISTICA E VALIDA PER:

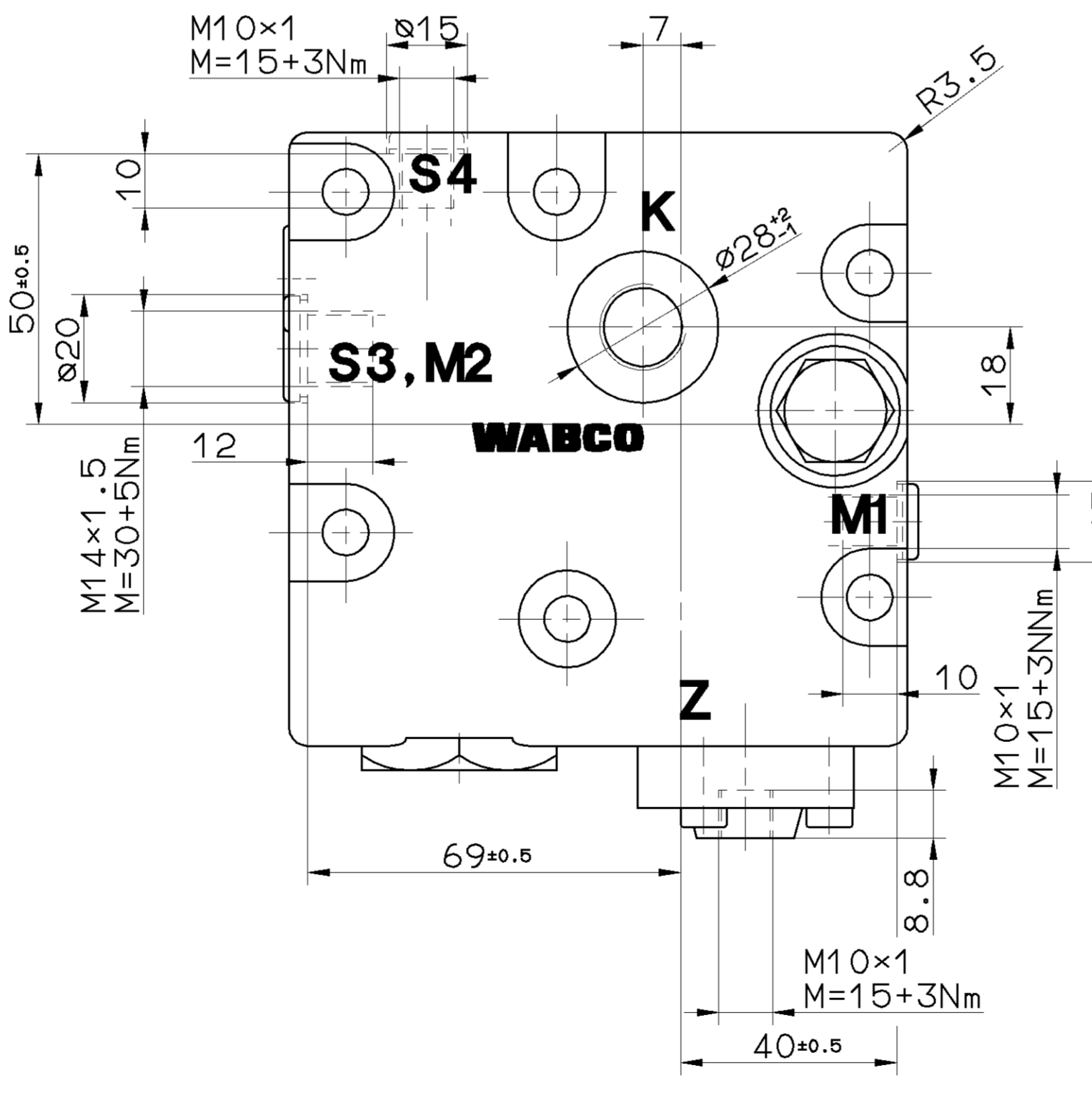
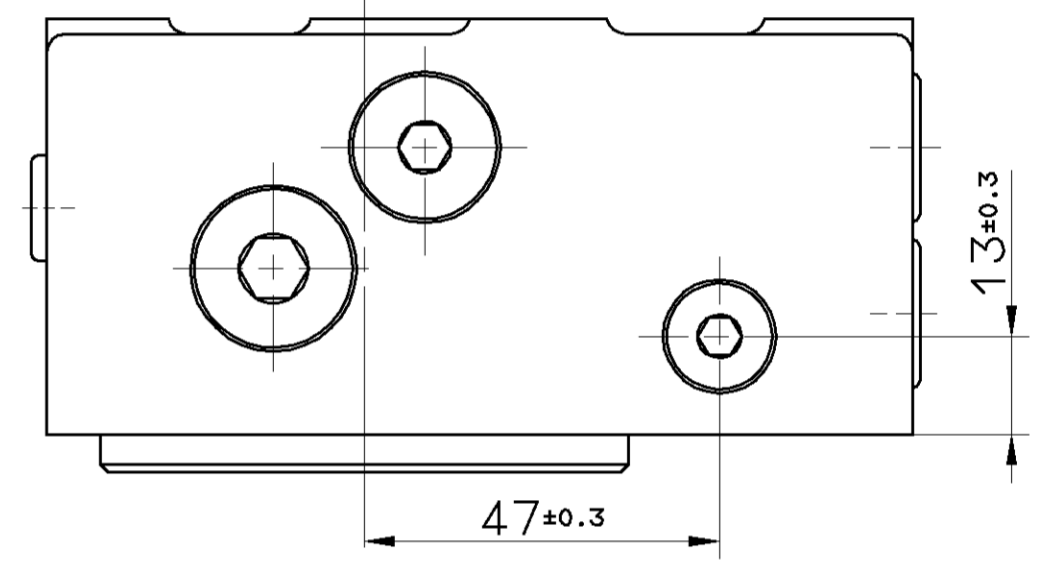
Q=12 dm<sup>3</sup>/mtn  
 T<sub>OIL</sub> = +60°C UP TO +120°C  
 T<sub>OEL</sub> = +60°C BIS +120°C  
 T<sub>HUILE</sub> = +60°C A +120°C  
 T<sub>OLIO</sub> = +60°C A +120°C

PRESSURE AT PORT S:  
 DRUCK AM ANSCHLUSS S: 1.5 bar  
 PRESSION A L'ORIFICE S:  
 PRESSIONE ALL'ORIFIZIO S:

DELIVERED PRESSURE  
 AUSGESTEUERTER DRUCK  
 PRESSION DELIVREE  
 PRESSIONE EROGATA



TECHNICAL DATA  
 TECHNISCHE DATEN  
 CARACTERISTIQUES TECHNIQUES  
 CARATTERISTICHE TECNICHE



WORKING MEDIUM: MINERAL OIL, 10 UP TO 2000mm<sup>2</sup>/s  
 BETRIEBSMEDIUM: MINERALOEL, 2000 BIS 10 mm<sup>2</sup>/s  
 FLUIDE: HUILE MINERALE, 2000 A 10mm<sup>2</sup>/s  
 FLUIDO DI ESERCIZIO: OLIO MINERALE, 2000 A 10mm<sup>2</sup>/s

WORKING PRESSURE:  
 BETRIEBSDRUCK: MAX. 16 bar  
 PRESSION D'UTILISATION:  
 PRESSIONE DI ESERCIZIO:

CONTROL MEDIUM: AIR  
 STEUERMEDIUM: LUFT  
 FLUIDE DE COMMANDE: AIR  
 FLUIDO DI COMANDO: ARIA

RANGE OF CONTROL PRESSURE: 4.5 UP TO 8.3 bar  
 STEUERDRUCKBEREICH: 4.5 BIS 8.3 bar  
 GAMME DE LA PRESSION DE COMMANDE: 4.5 A 8.3 bar  
 CAMPO DELLA PRESSIONE DI COMANDO: 4.5 A 8.3 bar

TEMPERATURE OF MEDIUM: -25°C UP TO +150°C  
 DRUCKMITTELTEMPERATUR: -25°C BIS +150°C  
 TEMPERATURE DE FLUIDE: -25°C A +150°C  
 TEMPERATURA DEL FLUIDO: -25°C A +150°C

AMBIENT TEMPERATURE: -25°C UP TO +100°C  
 UMGEBUNGSTEMPERATUR: -25°C BIS +100°C  
 TEMPERATURE AMBIENTE: -25°C A +100°C  
 TEMPERATURA AMBIENTE: -25°C A +100°C

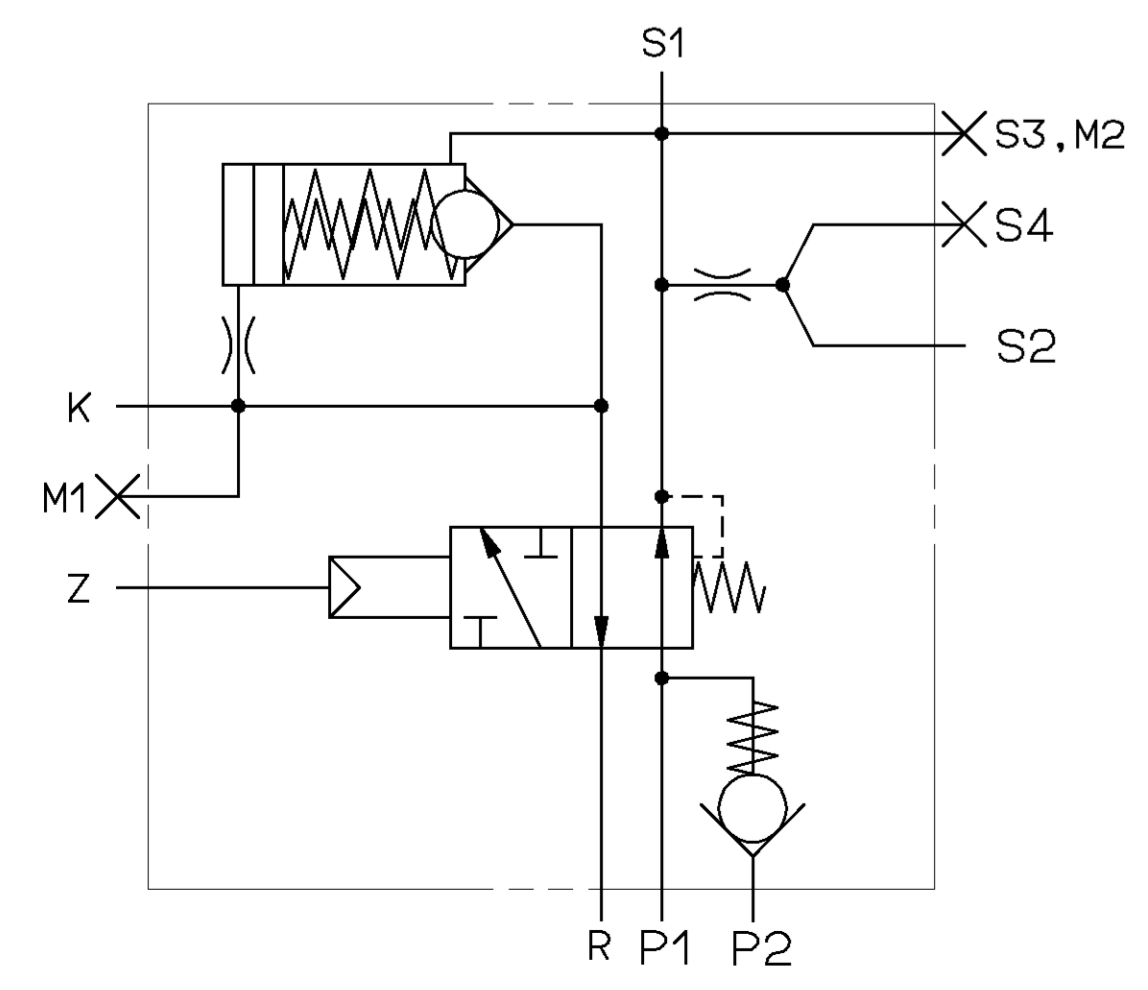
POSITION OF INSTALLATION: FLANGE UNDER  
 EINBAULAGE: FLANSCH UNTEN  
 POSITION D'INSTALLATION: FLASQUE EN BAS  
 POSIZIONE DI MONTAGGIO: FLANGIA IN BASO

PAINTING: BLACK SYNTHETIC RESIN VARNISH RAL 9005  
 PORTS AN D HOLES FREE OF PAINT; DBL 7391  
 FARBANSTRICH: KUNSTHARZLACK-DECKLACK SCHWARZ RAL 9005  
 ANSCHLUESSE UND BOHRUNGEN FARBFREI; DBL 7391  
 PEINTURE: VERNIS SYNTHETIQUE NOIR RAL 9005  
 ORIFICES ET TROUS SANS PEINTURE; DBL 7391  
 VERNICIATURA: VERNICE SINTETICA NERA RAL 9005  
 ORIFIZI E FORI SENZA VERNICE; DBL 7391

FLOW RATE: DURCHFLUSSMENGE: MIN 5 dm<sup>3</sup>/mtn, MAX 30 dm<sup>3</sup>/mtn  
 DEBIT: FORTATA:

TORQUE FOR MOUNTING STUDS  
 ANZUGSMOMENTE FUER BEFESTIGUNGSSCHRAUBEN: 20% Nm  
 COUPLE DE SERRAGE POUR GOWONS:  
 COPPIA DI SERRAGGIO PER VITI PRIGIONERE:

WIRING DIAGRAM  
 SCHALTSCHEMA  
 SCHEMA DE CONNEXIONS  
 SCHEMA DI COLLEGAMENTO



GENERAL SPECIFICATION: JED-034		CAD/CAE DRAWING COPYRIGHT	
FURTHER TECHNICAL DATA:		DATE: SIGNATURE:	
DOC. CODE:	SHEET: TO:	DATE:	SIGNATURE:
GENERAL TOLERANCES		DRAWN: 94-07-18 HEINRICH	
RANGE OF NOMINAL DIMENSIONS (± mm)		CHECKED: ALMTEPPEN	
CLASS	1)	≤50	≤180
		>50	>180
		≤400	>400
FINE		0,5	1,0
MEDIUM		1,0	2,0
COARSE		2,0	3,5
		5,0	6,5
TAPPED HOLES ACC: ISO 4039 / JED-162		PRODUCT IDENTIFICATION NO. 476 406 005 0	
1) TOLERANCE CLASS APPLIED CROSSHARDED		DOC. CODE: 605	
DEN-NO. REV. DATE		SHEET: 1/1	
SCALE: A 1 141		REPLACEMENT FOR:	
SHAPE CODE		EXPLODE CODE 7107	
PRODUCT TYPE 012			

NOTE: PERMISSION TO REPRODUCE OR TRANSMIT THIS DOCUMENT IS GRANTED ON THE CONDITION THAT THE ORIGINAL SOURCE BE CITED. THE USER OF THIS DOCUMENT IS RESPONSIBLE FOR THE PROTECTION OF THE RIGHTS OF OTHERS. THE USER OF THIS DOCUMENT IS RESPONSIBLE FOR THE PROTECTION OF THE RIGHTS OF OTHERS. THE USER OF THIS DOCUMENT IS RESPONSIBLE FOR THE PROTECTION OF THE RIGHTS OF OTHERS. THE USER OF THIS DOCUMENT IS RESPONSIBLE FOR THE PROTECTION OF THE RIGHTS OF OTHERS.