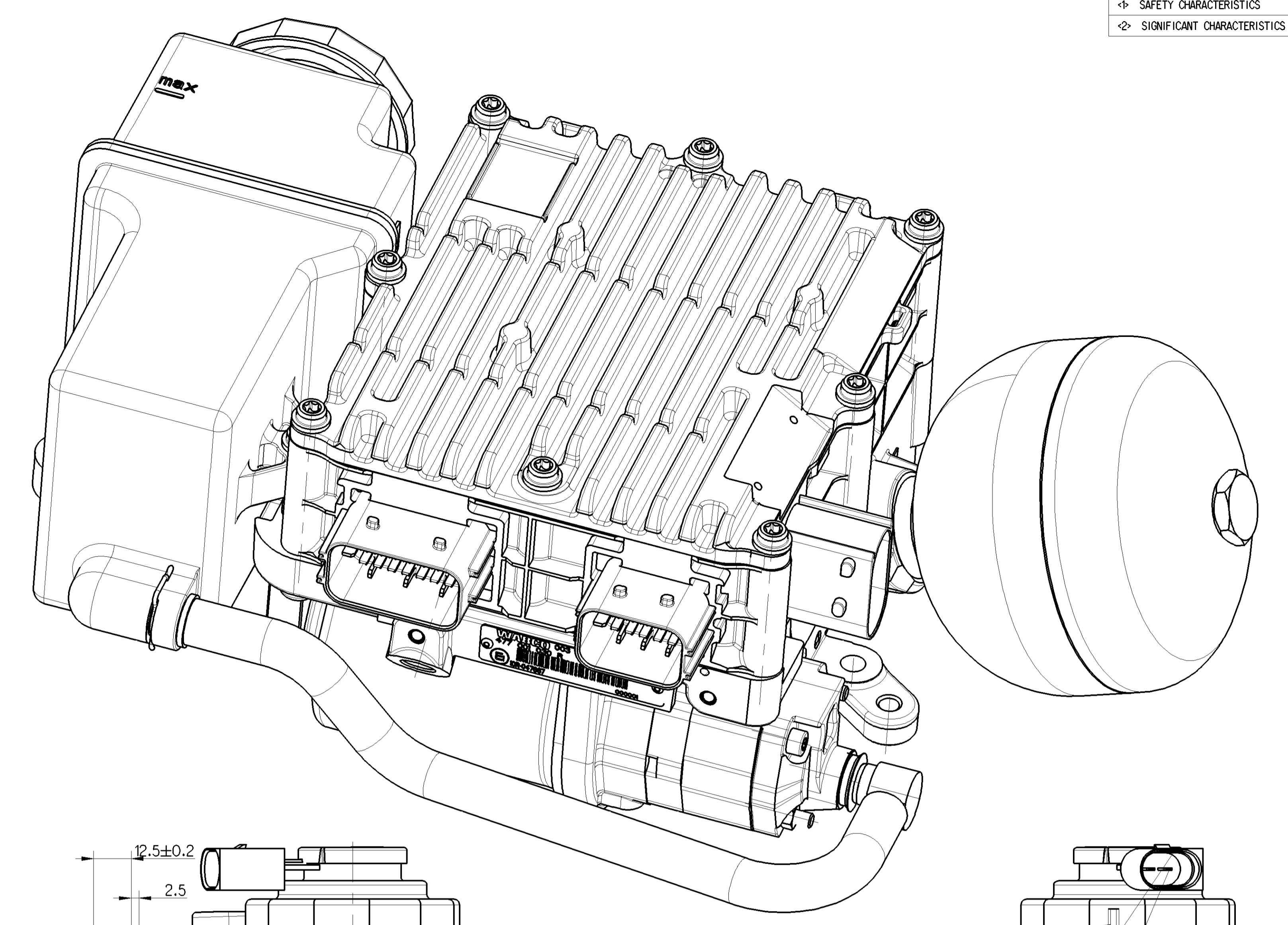
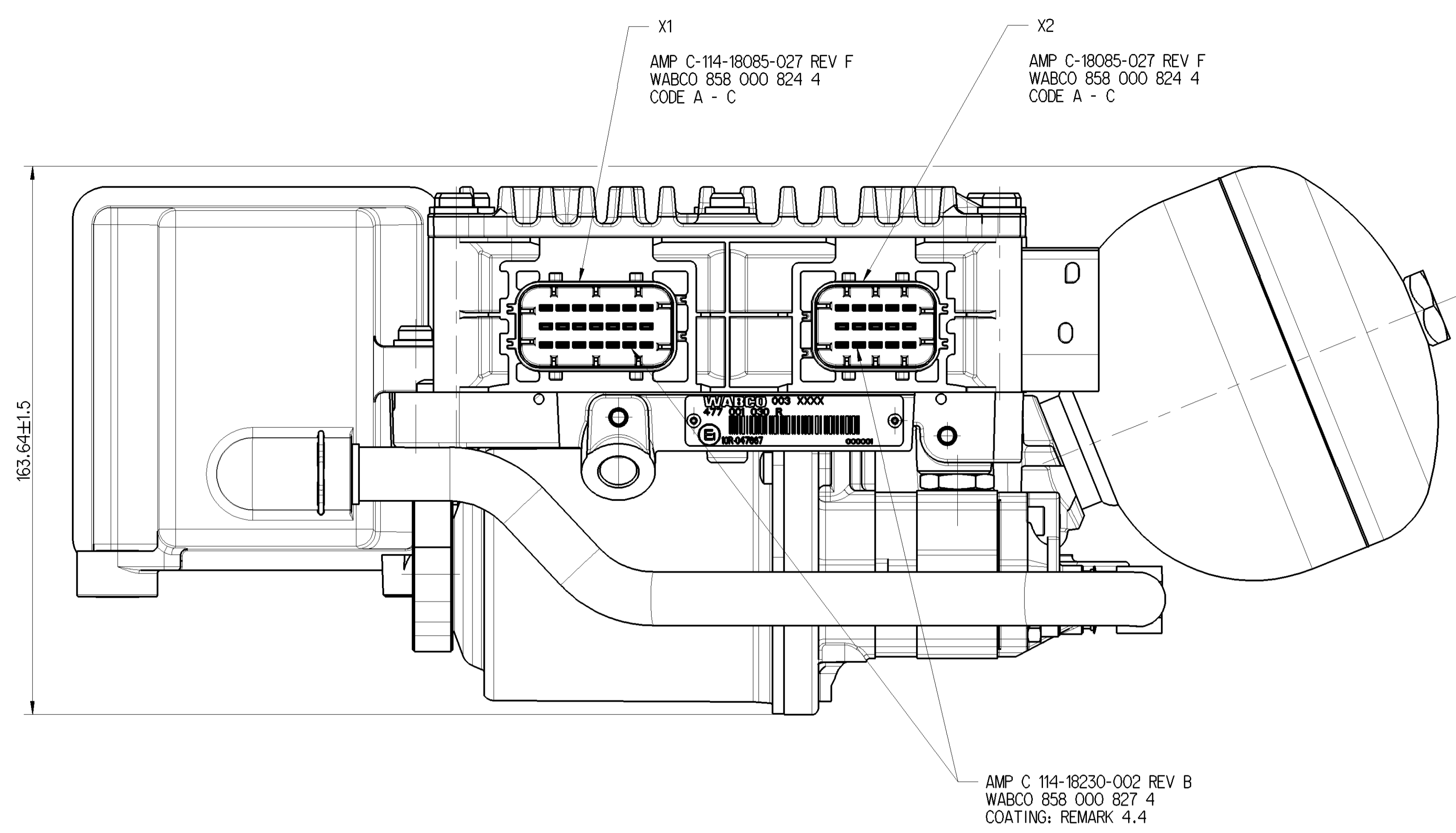


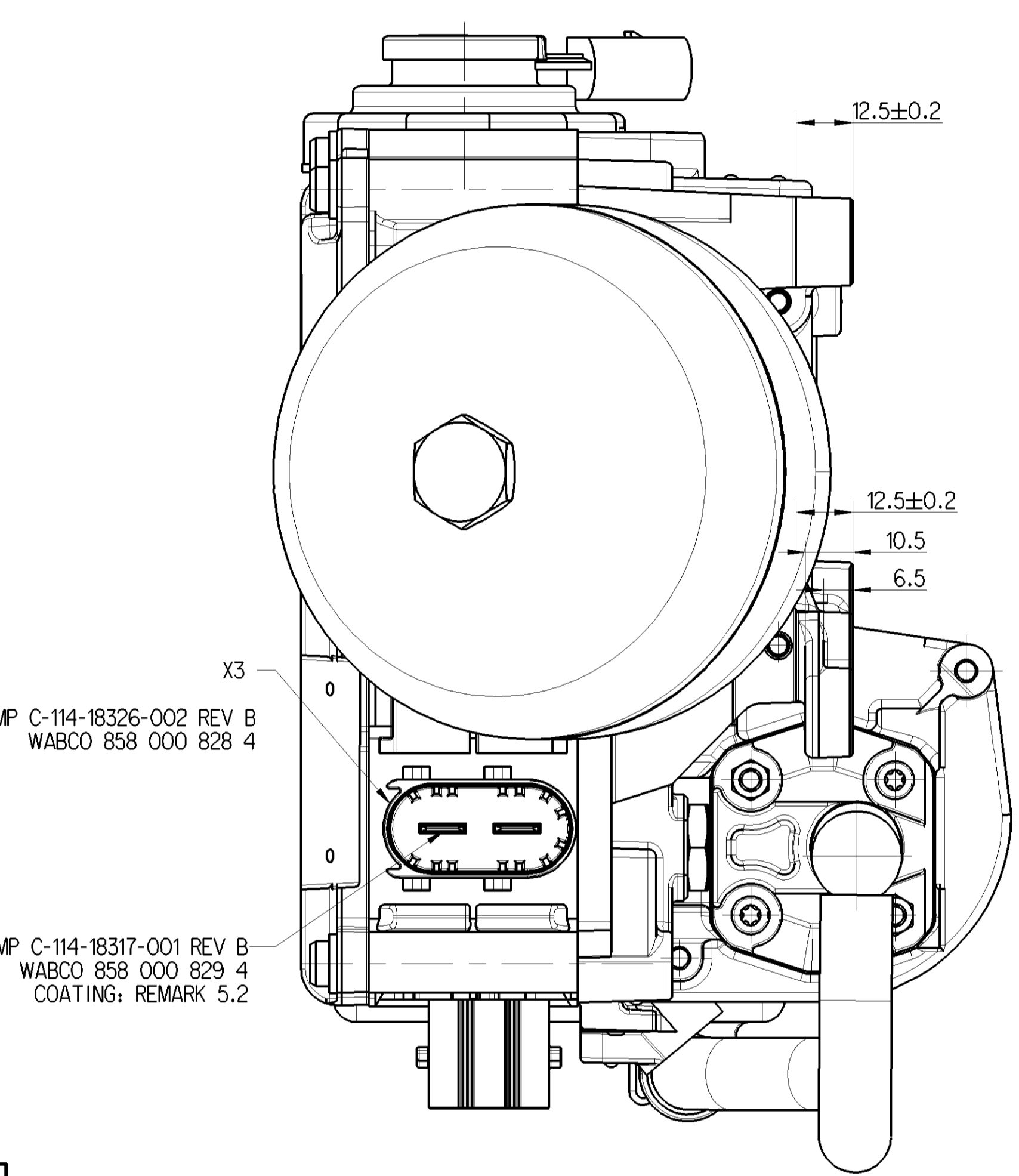
- 21 DISCHARGE PORT "RAIL 1/2"  
DRUCKANSCHLUSS "GASSE 1/2"  
REFOULEMENT "SELECTION 1/2"  
ORIFIZIO DI MANDATA "RANGO 1/2"
- 22 DISCHARGE PORT "RAIL R"  
DRUCKANSCHLUSS "GASSE R"  
REFOULEMENT "SELECTION R"  
ORIFIZIO DI MANDATA "RANGO R"
- 23 DISCHARGE PORT "GEAR R/2/4/6"  
DRUCKANSCHLUSS "GANG R/2/4/6"  
REFOULEMENT "PASSAGE R/2/4/6"  
ORIFIZIO DI MANDATA "MARCIA R/2/4/6"
- 24 DISCHARGE PORT "GEAR 1/3/5"  
DRUCKANSCHLUSS "GANG 1/3/5"  
REFOULEMENT "PASSAGE 1/3/5"  
ORIFIZIO DI MANDATA "MARCIA 1/3/5"
- 25 DISCHARGE PORT "CLUTCH"  
DRUCKANSCHLUSS "KUPPLUNG"  
REFOULEMENT "EMBRAYAGE"  
ORIFIZIO DI MANDATA "FRIZIONE"
- X1 CENTRAL CONNECTOR VEHICLE  
ZENTRALSTECKER FAHRZEUG  
CONNECTEUR CENTRAL VEHICULE  
CONNETTORE CENTRALE VEICOLO
- X2 CENTRAL CONNECTOR GEARBOX  
ZENTRALSTECKER GETRIEBE  
CONNECTEUR CENTRAL VEICULEBOITE DE VITESSES  
CONNETTORE CENTRALE CAMBIO
- X3 CENTRAL CONNECTOR HIGH CURRENT  
ZENTRALSTECKER HOCHSTROM  
CONNECTEUR CENTRAL COURANT HAUT  
CONNETTORE CENTRALE ALTA CORRENTE
- X4 CONNECTOR LEVEL SWITCH  
STECKER NIVEAUSCHALTER  
CONNECTEUR INTERUPTEUR DE NIVEAU  
CONNETTORE INTERRUOTORE DI LIVELLO



A MARK ON COVER AND RESERVOIR HAVE TO BE ALLIGNED

X4  
AMP C - 114 - 18251 - 009 REV E  
WABCO 858 000 835 4  
CODE B

AMP C 114 - 18230 - 002 REV B  
WABCO 858 000 827 4  
COATING: REMARK 4.4



X3  
AMP C-114-18326-002 REV B  
WABCO 858 000 828 4

X4  
AMP C-114-18317-001 REV B  
WABCO 858 000 829 4  
COATING: REMARK 5.2

TECHNICAL DATA  
TECHISCHE DATEN  
CARACTERISTIQUES TECHNIQUES  
CARATTERISTICHE TECNICHE

WORKING MEDIUM  
BETRIEBSMEDIUM  
FLUIDE DE UTILISATION  
FLUIDO DI ESERCIZIO  
PENTOSIN CHF 11S

WORKING PRESSURE  
BETRIEBSDRUCK  
PRESSION DE UTILISATION  
PRESSIONE DI ESERCIZIO  
60 . . . . . 82 BAR

WORKING PRESSURE MAX.  
MAX. BETRIEBSDRUCK  
PRESSION DE UTILISATION MAX.  
PRESSIONE DI ESERCIZIO MAX.  
100 BAR

TERMAL RANGE OF APPLICATION  
THERMISCHER ANWENDUNGSBEREICH  
PLACE DE TEMPERATURE EN UTILISATION  
CAMPO TERMICO DI APPLICAZIONE  
-32 °C . . . . . +120 °C

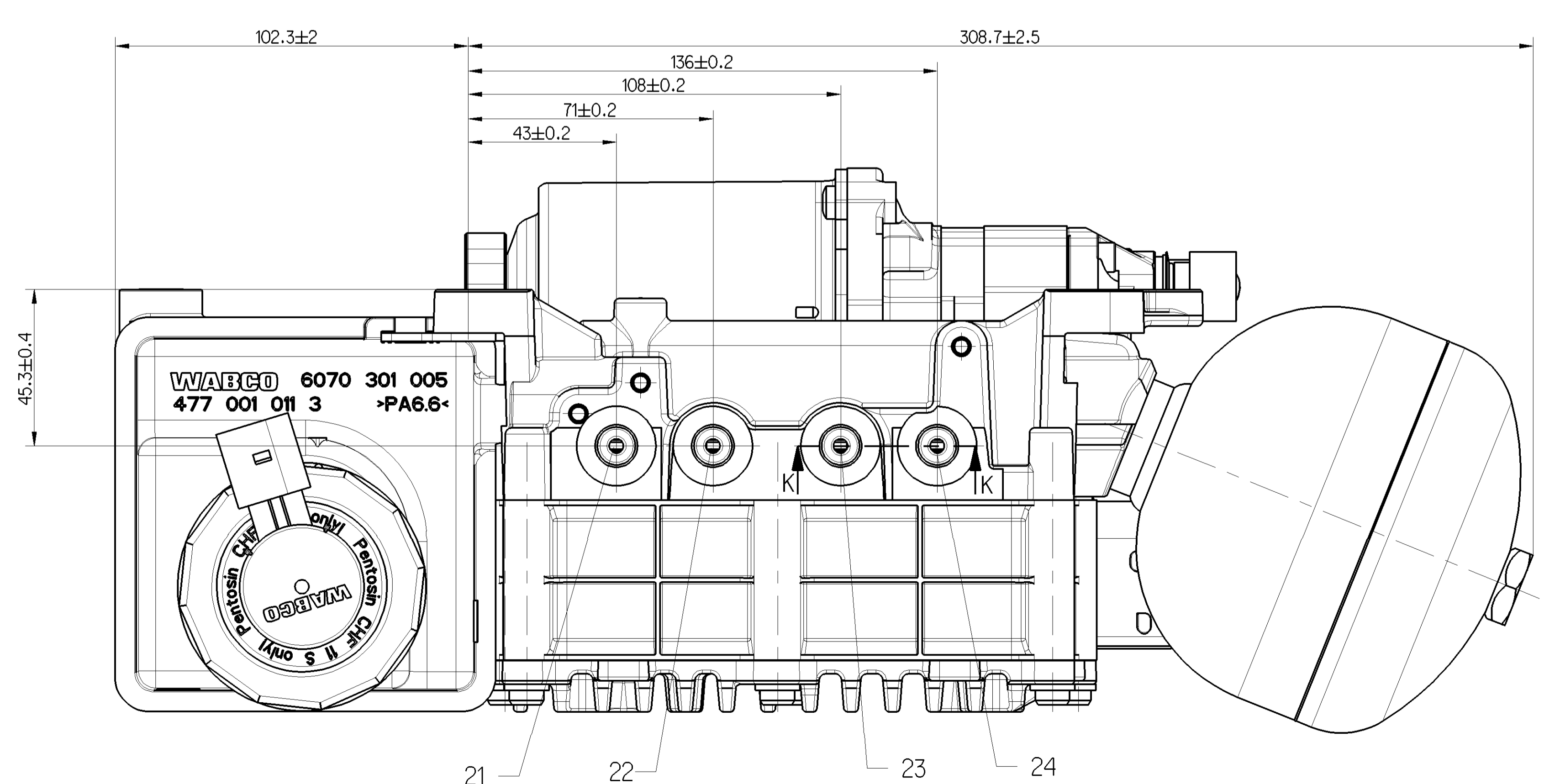
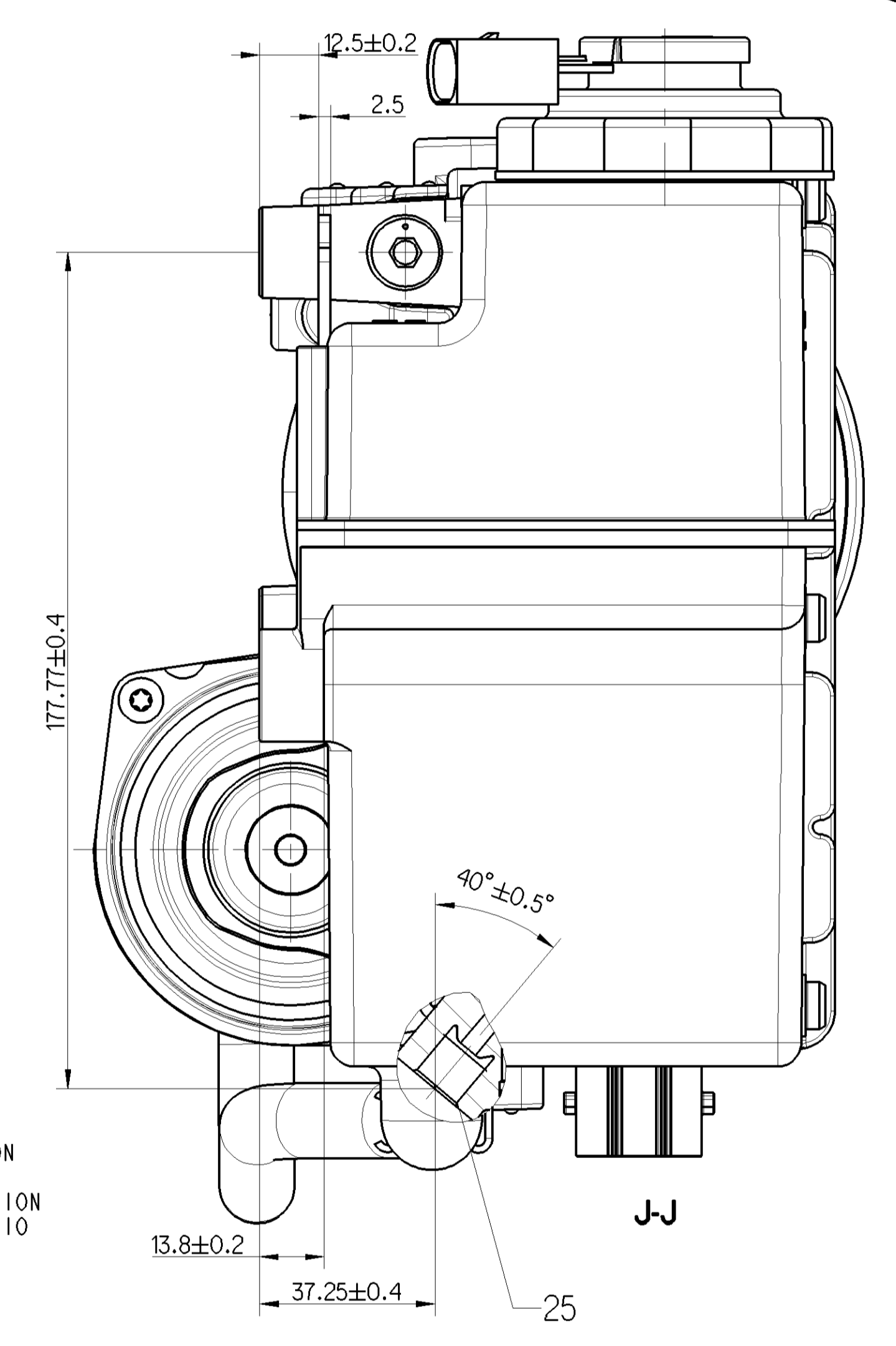
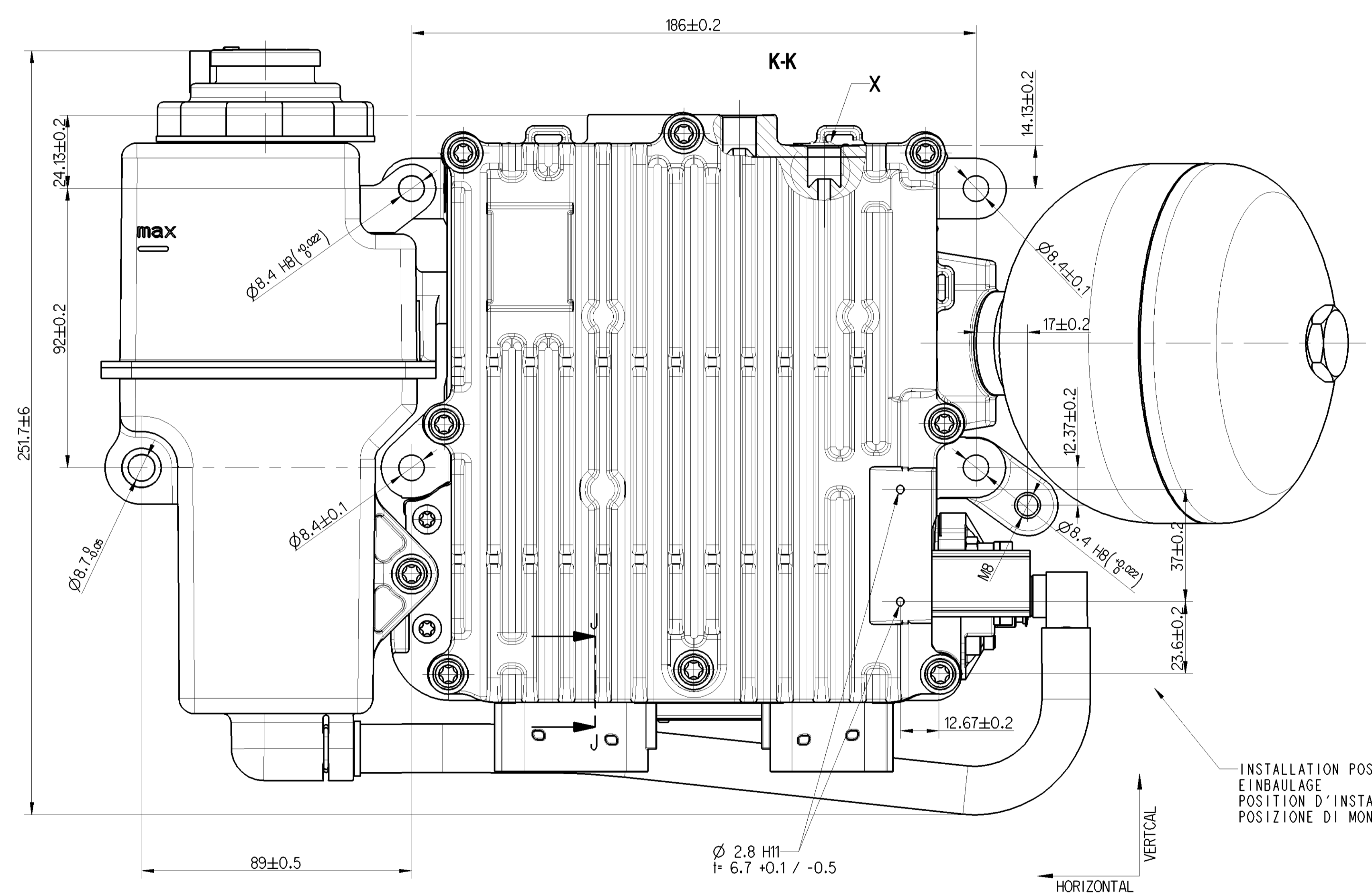
VOLTAGE  
BETRIEBSSPANNUNG  
TENSION  
TENSIONE  
24V

INSTALLATION POSITION AS DRAWN  
EINBAULAGE WIE GEZEICHNET  
POSITION D'INSTALLATION SUIVANT DESSIN  
POSIZIONE DI MONTAGGIO COME DISEGNATO

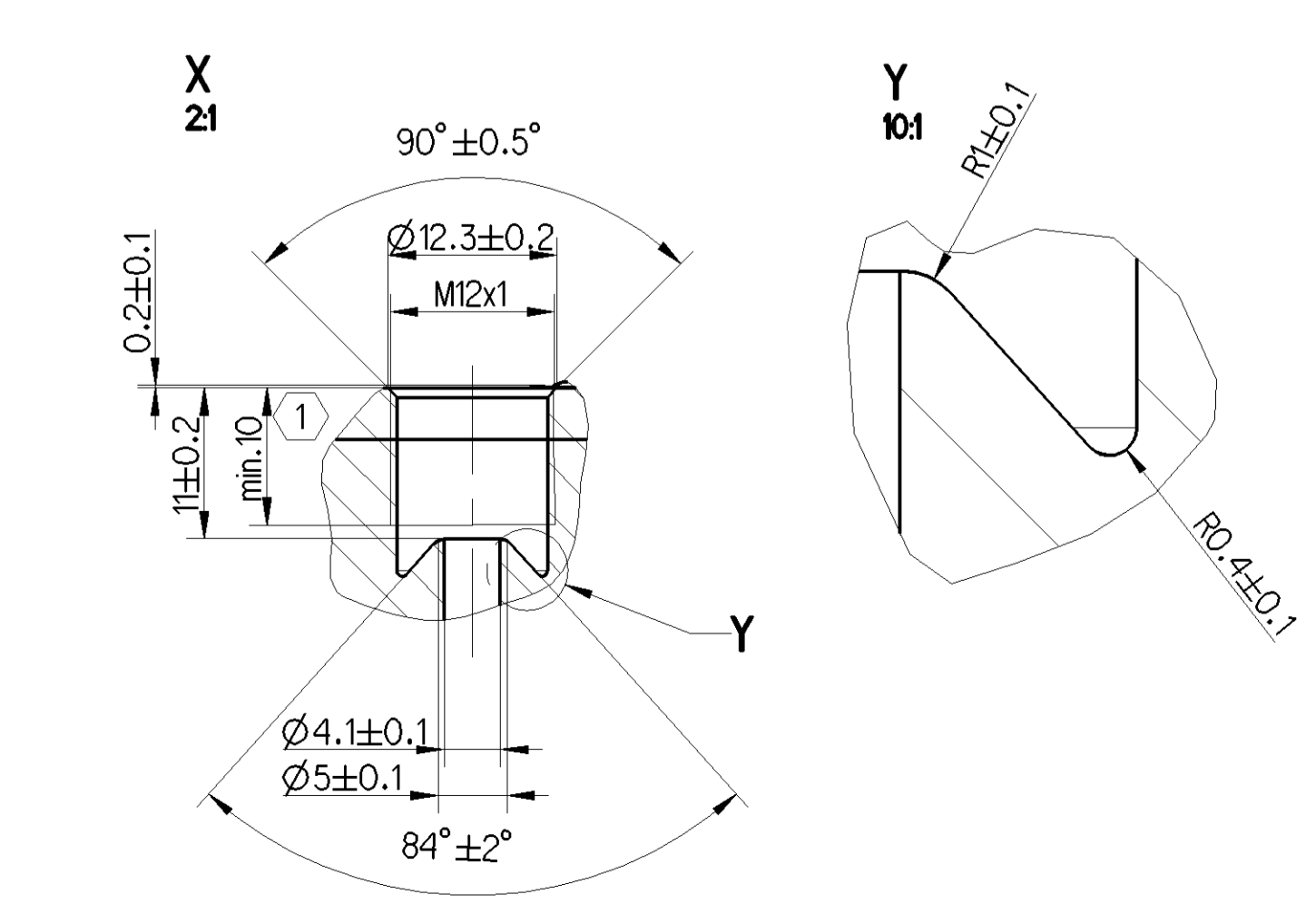
PVC PACKAGING NOT PERMISSIBLE  
KEINE PVC VERPACKUNG ZULASSIG  
CPV EMBALLAGE NON ADMIS  
CPV IMBALLAGGIO NON AMMESSA

AMBIENT MEDIUM:  
UMGEBUNGSMEDIUM:  
FLUIDE AMBIANT:  
FLUIDO AMBIANTE:  
AIR (CONTAINING WATER, DUST AND OIL)  
LUFT (WASSER-, STAUB UND ÖLHALTIG)  
AIR (HUMIDE, HUILEUX, POUSSIEREUX)  
ARIA (ACQUA, POLVERE ED OLIO INQUINATO)

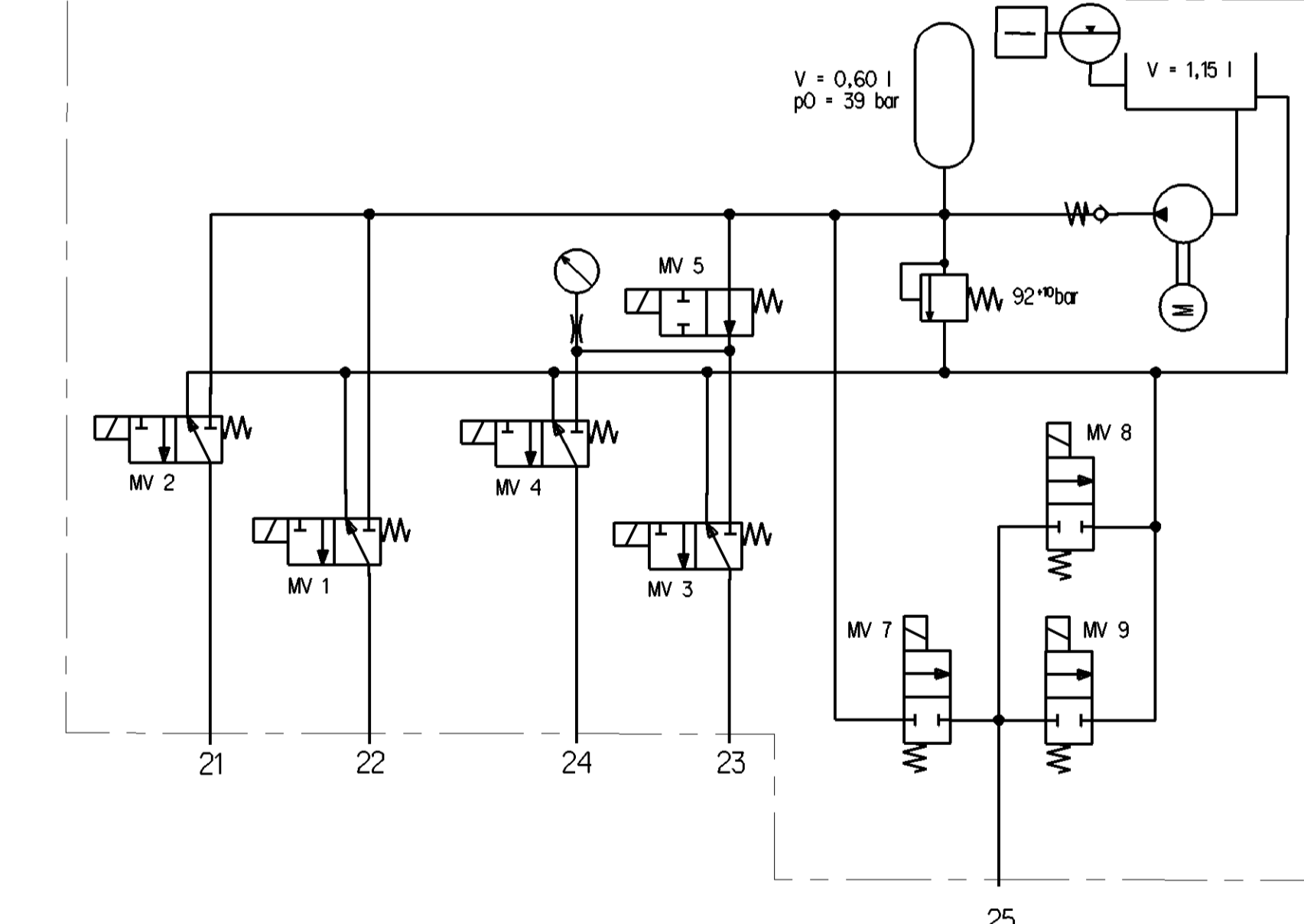
ASSEMBLING TORQUE  
MONTAGE DREHMOMENT  
COUPLE D'ASSEMBLAGE  
COPPIA MONTAGGIO  
23 Nm ± 10 %



21, 22, 23, 24, 25  
DIN 74235-EL M12x1 A  
TORQUE  
DREHMOMENT 13 Nm ± 15 %  
COUPLE  
COPPIA



① DEVIATION FROM ABWEICHUNG ZU ÉCART SCOSTAMENTO  
DIN 74235-EL M12x1 A



General Specifications: 45-534-0 - Size 150 14405-1 E				Copyright WABCO®	
Further Technical Data: 477 001 030 R		Date: 2017-04-27		System: Kraft	
Doc. Code: 030		Sheet: 1		Status: 030	
General Tolerances: ISO 2768		Date: 2017-04-20		Author: Hermann	
Class to:		H, K, Kraft		Version No.:	
1 ± 0.05		2 ± 0.05		3 ± 0.05	
4 ± 0.05		5 ± 0.05		6 ± 0.05	
7 ± 0.05		8 ± 0.05		9 ± 0.05	
10 ± 0.05		11 ± 0.05		12 ± 0.05	
13 ± 0.05		14 ± 0.05		15 ± 0.05	
16 ± 0.05		17 ± 0.05		18 ± 0.05	
19 ± 0.05		20 ± 0.05		21 ± 0.05	
22 ± 0.05		23 ± 0.05		24 ± 0.05	
25 ± 0.05		26 ± 0.05		27 ± 0.05	
28 ± 0.05		29 ± 0.05		30 ± 0.05	
31 ± 0.05		32 ± 0.05		33 ± 0.05	
34 ± 0.05		35 ± 0.05		36 ± 0.05	
37 ± 0.05		38 ± 0.05		39 ± 0.05	
40 ± 0.05		41 ± 0.05		42 ± 0.05	
43 ± 0.05		44 ± 0.05		45 ± 0.05	
46 ± 0.05		47 ± 0.05		48 ± 0.05	
49 ± 0.05		50 ± 0.05		51 ± 0.05	
52 ± 0.05		53 ± 0.05		54 ± 0.05	
55 ± 0.05		56 ± 0.05		57 ± 0.05	
58 ± 0.05		59 ± 0.05		60 ± 0.05	
61 ± 0.05		62 ± 0.05		63 ± 0.05	
64 ± 0.05		65 ± 0.05		66 ± 0.05	
67 ± 0.05		68 ± 0.05		69 ± 0.05	
70 ± 0.05		71 ± 0.05		72 ± 0.05	
73 ± 0.05		74 ± 0.05		75 ± 0.05	
76 ± 0.05		77 ± 0.05		78 ± 0.05	
79 ± 0.05		80 ± 0.05		81 ± 0.05	
82 ± 0.05		83 ± 0.05		84 ± 0.05	
85 ± 0.05		86 ± 0.05		87 ± 0.05	
88 ± 0.05		89 ± 0.05		90 ± 0.05	
91 ± 0.05		92 ± 0.05		93 ± 0.05	
94 ± 0.05		95 ± 0.05		96 ± 0.05	
97 ± 0.05		98 ± 0.05		99 ± 0.05	
100 ± 0.05		101 ± 0.05		102 ± 0.05	