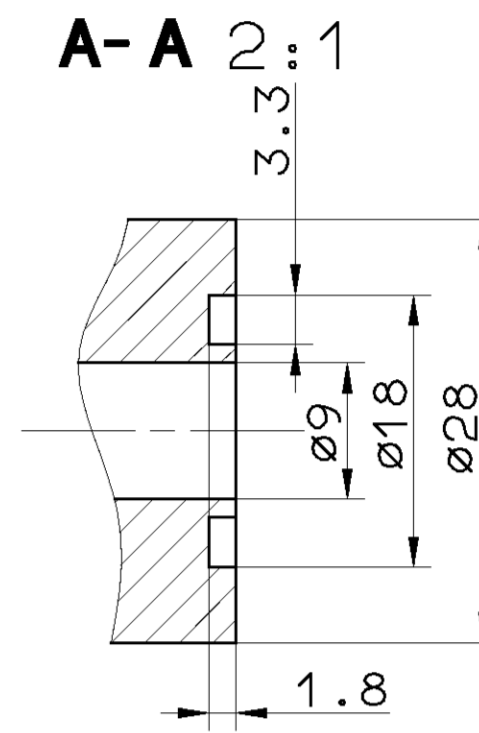


PORTS 1 AND 5
ANSCHLUESSE 1 UND 5
ORIFICES 1 ET 5
ORIFIZI 1 ET 5



PORTS 21 AND 23
ANSCHLUESSE 21 UND 23
ORIFICES 21 ET 23
ORIFIZI 21 ET 23

MARKING OF THE PORTS
KENNZEICHNUNG DER ANSCHLUESSE
DISTINCTIVE DES ORIFICES
DISTINTIVE DEGLI ORIFIZI

1 SUPPLY OF ENERGY
ENERGIEZUFLOSS
ALIMENTATION D' ENERGIE
ALIMENTAZIONE DI ENERGIA

21 SERVO BRAKE (CIRCUIT 1)
BETRIEBSBREMSE (KREIS 1)
FREIN DE SERVICE (CIRCUIT 1)
FRENO DI SERVIZIO (CIRCUITO 1)

23 SERVO BRAKE (CIRCUIT 2)
BETRIEBSBREMSE (KREIS 2)
FREIN DE SERVICE (CIRCUIT 2)
FRENO DI SERVIZIO (CIRCUITO 2)

27 TEST PORT
PRUEFANSCHLUSS M10X1
ORIFICE D' EPREUVE
ORIFIZIO DI PROVA

5 DISCHARGE OF ENERGY
ENERGIEABFLUSS
UTILISATION D' ENERGIE
DEFLUSSO DI ENERGIA

TECHNICAL DATA
TECHNISCHE DATEN
CARACTERISTIQUES TECHNIQUES
CARATTERISTICHE TECNICHE

TYPE OF CONSTRUCTION: SPOOLVALVE
BAUART: SCHIEBERVENTIL
TYPE: ROBINET A BOISSEAU COULISSANT
TIPO: VALVOLA DI MANICOTTO

WORKING MEDIUM: MINERAL OIL,
BETRIEBSMEDIUM: MINERALOEL, 10 .. 2000mm²/s
FLUIDE: HUILE MINERALE,
FLUIDO DI ESERCIZIO: OLIO MINERALE,

TEMPERATUR OF MEDIUM:
DRUCKMITTELTEMPERATUR: -30° .. +80° C
TEMPERATURE DU FLUIDE:
TEMPERATURA DEL FLUIDO:

AMBIENT TEMPERATURE:
UMGEBUNGSTEMPERATUR: -30° .. +80° C
TEMPERATURE AMBIANT:
TEMPERATURA AMBIENTE:

CUT-OFF PRESSURE:
ABSCHALTDRUCK: 100% bar
PRESSION DE OUVERTURE:
PRESSIONE D' APERTURA:

CUT-IN PRESSURE:
EINSCHALTDRUCK: 70% bar
PRESSION DE FERMETURE:
PRESSIONE DI CHIUSURA:

POSITION D' INSTALLATION: AU CHOIX
EINBAULAGE: BELIEBIG
INSTALLATION POSITION: OPTIONAL
POSIZIONE DI MONTAGGIO: A PLACERE

FLOW RATE MAX.:
MAX. VOLUMENSTROM: 62dm³/min
DEBIT MAX.:
PORTATA MAX.:

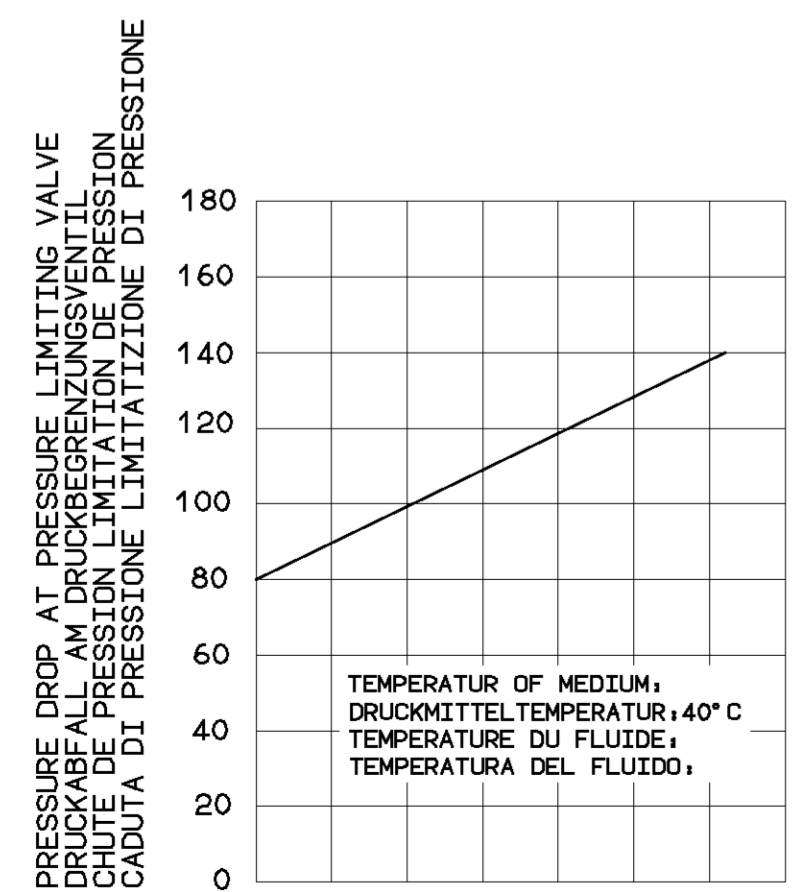
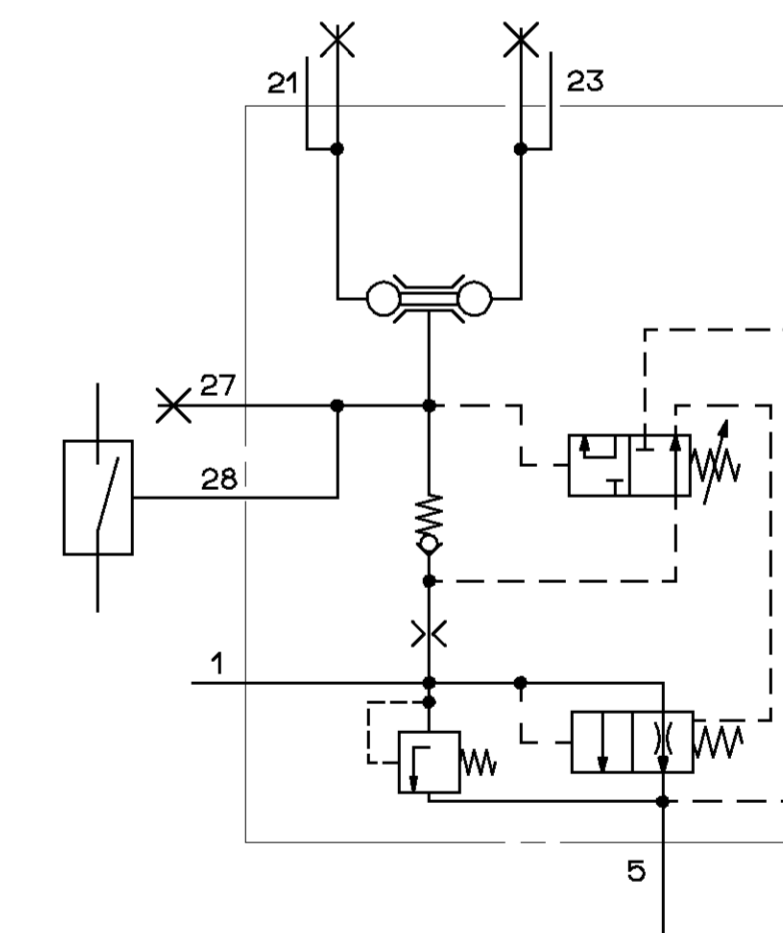
MAXIMAL PRESSURE AT PORT 5:
DRUCK AN ANSCHLUSS 5: MAX. 200 BAR
PRESSION EN ORIFICE 5:
PRESSION IN ORIFIZIO 5:

FLOW RATE TO THE BRAKE CIRCUITS:
VOLUMENSTROM ZU DEN BREMSKREISEN:
DEBIT AUX CIRCUITS DE FREIN:
PORTATA A CIRCUITOS DI FRENO:

PRESSURE LIMITATION, OPENING PRESSURE:
DRUCKBEGRENZUNG, OEFFNUNGSDRUCK: 80% bar @
LIMITATION DE PRESSURE, PRESSION D'OUVERTURE:
LIMITAZIONE DI PRESSIONE, PRESSIONE DI APERTURA:

PAINTING: BLACK SYNTHETIC RESIN VARNISH RAL9005
PORTS AND HOLES FREE OF PAINT
FARBANSTRICH: KUNSTHARZ-DECKLACK SCHWARZ RAL9005
ANCLUESSE UND BOHRUNGEN FARBFREI
PEINTURE: VERNIS SYNTHETIQUE NOIR RAL 9005
ORIFICES ET TROUS SANS PEINTURE
VERNICATURA: VERNICE SINTETICA MERA RAL 9005
ORIFIZI ET FORI SENZA VERNICE

PRESSURE SWITCH
DRUCKSCHALTER
INTERRUPTEUR DE PRESSION
INTERRUTTORE A PRESSIONE



FLOW RATE VIA PRESSURE LIMITING
VOLUMENSTROM UEBER DRUCKBEGRENZUNG
DEBIT PAR LIMITATION DE PRESSION
PORTATA PER LIMITAZIONE DI PRESSIONE

GENERAL SPECIFICATION: JED-034		CADAM-DRAWING COPYRIGHT	
FURTHER TECHNICAL DATA:		DATE: SIGNATURE:	
DOC. CODE: SHEET: TO:		96-03-22 HEINRICH	
GENERAL TOLERANCES		CHECKED:	
RANGE OF NOMINAL DIMENSIONS (± mm)		STANDARDIZATION:	
CLASS	1)	PRODUCT IDENTIFICATION NO.	
0,5	1,0	477 397 032 0	
> 50	> 180	DOC. CODE: SHEET	
≤ 180	≤ 400	605 1/1	
> 400	> 400	REPLACEMENT FOR	
FINE		884 010 052 0	
MEDIUM		SHAPE CODE	
COARSE		A 1 141	
TAPPED HOLES ACC. ISO 4039 / JED-162		REVISIONS	
1) TOLERANCE CLASS APPLIED CROSSMARKED		REV. DATE	
64833 2*B 98-01-09		A 1 141	
64812 3*A 97-09-30		DATE	
100mm		EXPERT CODE: 7107	
PRODUCT TYPE: 02X			