

PORT IDENTIFICATION
ABSCHLUSSEBEZEICHNUNG
REFERENCE D'ORIFICE
DESIGNAZIONE DELL'ORIFIZIO

- MF MASTERCYLINDER FRONT AXLE
HAUPTZYLINDER VORDERACHSE
MAITRE CYLINDRE ESSIEU AVANT
CILINDRO PRINCIPALE ASSE ANTERIORE
- MR MASTERCYLINDER REAR AXLE
HAUPTZYLINDER HINTERACHSE
MAITRE CYLINDRE ESSIEU ARRIERE
CILINDRO PRINCIPALE ASSE POSTERIORE
- RL REAR AXLE - LEFT
HINTERACHSE - LINKS
ESSIEU ARRIERE - A GAUCHE
ASSE POSTERIORE - A SINISTRA
- RR REAR AXLE - RIGHT
HINTERACHSE - RECHTS
ESSIEU ARRIERE - A DROITE
ASSE POSTERIORE - DESTRA
- FL FRONT AXLE - LEFT
VORDERACHSE - LINKS
ESSIEU AVANT - A GAUCHE
ASSE ANTERIORE - A SINISTRA
- FR FRONT AXLE - RIGHT
VORDERACHSE - RECHTS
ESSIEU AVANT - A DROITE
ASSE ANTERIORE - DESTRA

TECHNICAL DATA
TECHNISCHE DATEN
CARACTERISTIQUES TECHNIQUES
CARATTERISTICHE TECNICHE

WORKING MEDIUM : BRAKE FLUID DOT 3, DOT 4, DOT 5.1 - FMVSS 116
BETRIEBSMEDIUM : BREMSFLÜSSIGKEIT DOT 3, DOT 4, DOT 5.1 - FMVSS 116
FLUIDE D UTILISATION : LIQUIDE DE FREIN DOT 3, DOT 4, DOT 5.1 - FMVSS 116
FLUIDO DI ESERCIZIO : LIQUIDO PER FRENI DOT 3, DOT 4, DOT 5.1 - FMVSS 116

AMBIENT TEMPERATURE : -40°C...+85°C
UMGEBUNGSTEMPERATUR : -40°C...+85°C
TEMPERATURE AMBIANTE :
TEMPERATURA AMBIENTE :

TEMPERATURE RANGE OF MEDIUM :
DRUCKMITTELTEMPERATURBEREICH : -40°C...+85°C
PLAGE DE TEMPERATURE DU FLUIDE :
GAMMA DI TEMPERATURA DEL FLUIDO :

NOMINAL VOLTAGE : 12 ±2.4/-1.2 VDC
NENNSPANNUNG :
TENSION NOMINALE :
TENSIONE NOMINALE :

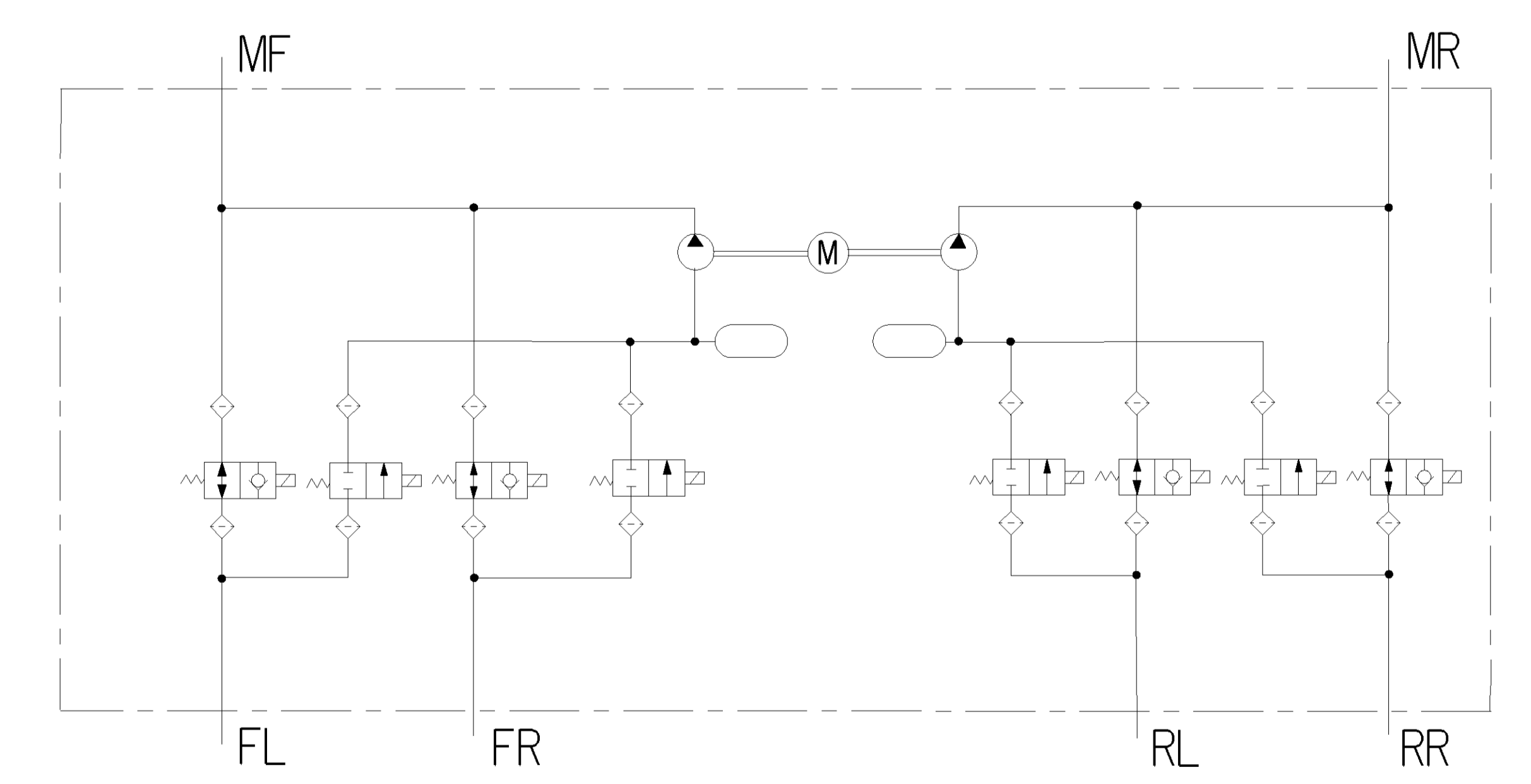
TYPE OF PROTECTION ACC : IP 6K9K
SCHUTZART :
MODE DE PROTECTION SUIVANT :
TIPO DI PROTEZIONE SECONDO :

SURFACE PROTECTION: STEEL PARTS ACC. TO JED-256 ZN/C
OBERFLÄCHENSCHUTZ: STAHLTEILE NACH JED-256 ZN/C
PROTECTION DE SURFACE: PIÈCES EN ACIER SELON JED-256 ZN/C
PROTEZIONE SUPERFICI : PEZZI DI ACCIAIO CONFORME A JED-256 ZN/C

LOCKED ROTOR TORQUE FOR ADAPTOR :
ANZUGSMOMENT FUER ADAPTER : M=22 ±5 Nm
COUPLE A ROTOR BLOQUE POUR ADAPTEUR :

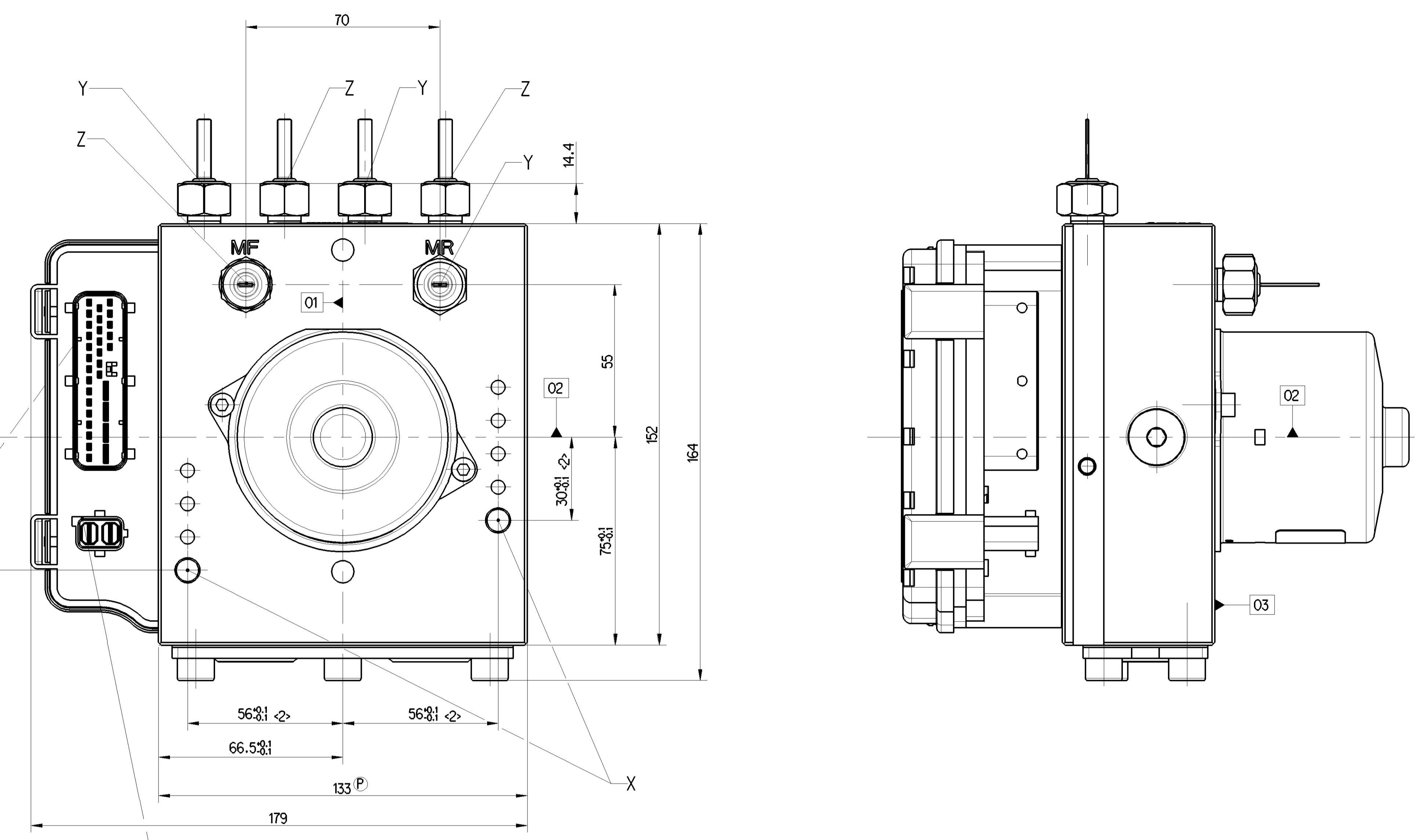
PARAMETERSET : 1
PARAMETERSATZ :
SET DE PARAMETRES :
SET DI PARAMETRI :

SOFTWARE VERSION :
SOFTWAREVERSION : HEC60002
VERSION DU SOFTWARE :
VERSIONE DEL SOFTWARE :



01, 02, 03 = DATUM PLANE
BEZUGSEBEN
PLAN DE REFERENCE
PLANO DI RIFERIMENTO

General Specifications JED-354-0		Design WABCO®		WABCO	
Further Technical Data	Doc. Code	Sheet	To	Date	System
	2019-11-12	Thomajoin R		2019-11-12	Hierrich
Range of Nominal Dimensions (± mm)		Class		Modulator	
Class	1	2	3	4	5
Min	0.5	1.0	1.5	2.0	3.0
Max	1.0	2.0	3.0	4.0	5.0
Course	2.0	3.5	5.0	6.5	
Tapped Holes acc.		4.9		1:1	
A 0		ProvE		478 407 071 0	
		502240		1 x P 5496	
				006 ML 1/1	



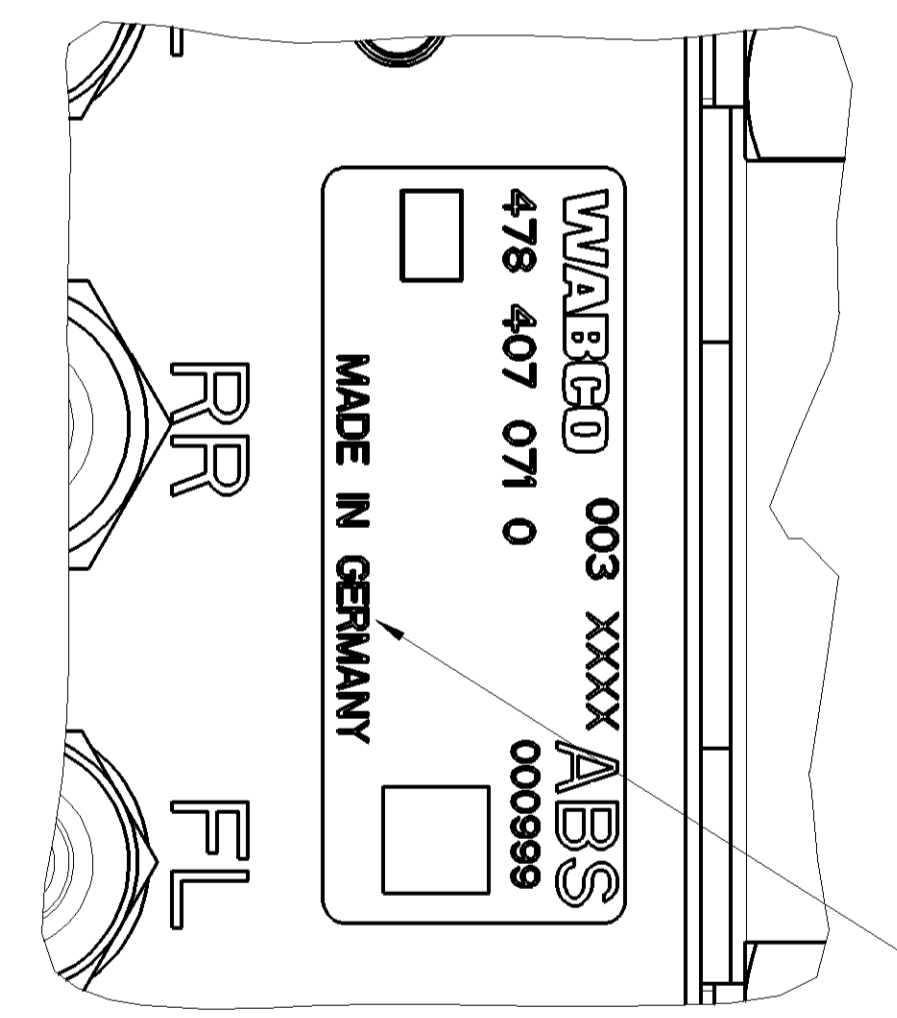
DIMENSIONING MADE ON THE BASIS OF THE AMP REFERENCE NUMBER:
CASING ASSEMBLY ACCORDING TO DRAWING C-208-15556 REV.5.2
CODING: NUMERO 0
MATCHING THE MATING CONNECTOR ACCORDING TO DRAWING C-953042; AMP-Ref:1-953042-6

MASSLICHE AUSFÜHRUNG ANHAND FOLGENDER AMP-SACHNUMMERN:
GEHÄUSEBAUGRUPPE NACH ZEICHNUNG C-208-15556 REV.5.2
KODIERUNG: NUMERO 0
PASSEND ZU GEGENSTECKER NACH ZEICHNUNG C-953042; AMP-Ref:1-953042-6

DIMENSIONNEMENT FAIT A L'AÏTE DU NUMERO DE REFERENCE AMP:
SOUS-ENSEMBLE DE BOITE SUIVANT PLAN C-208-15556 REV.5.2
CODIFICATION: NUMERO 0
ASSORTI AU PENDANT SUIVANT PLAN C-953042; AMP-Ref:1-953042-6

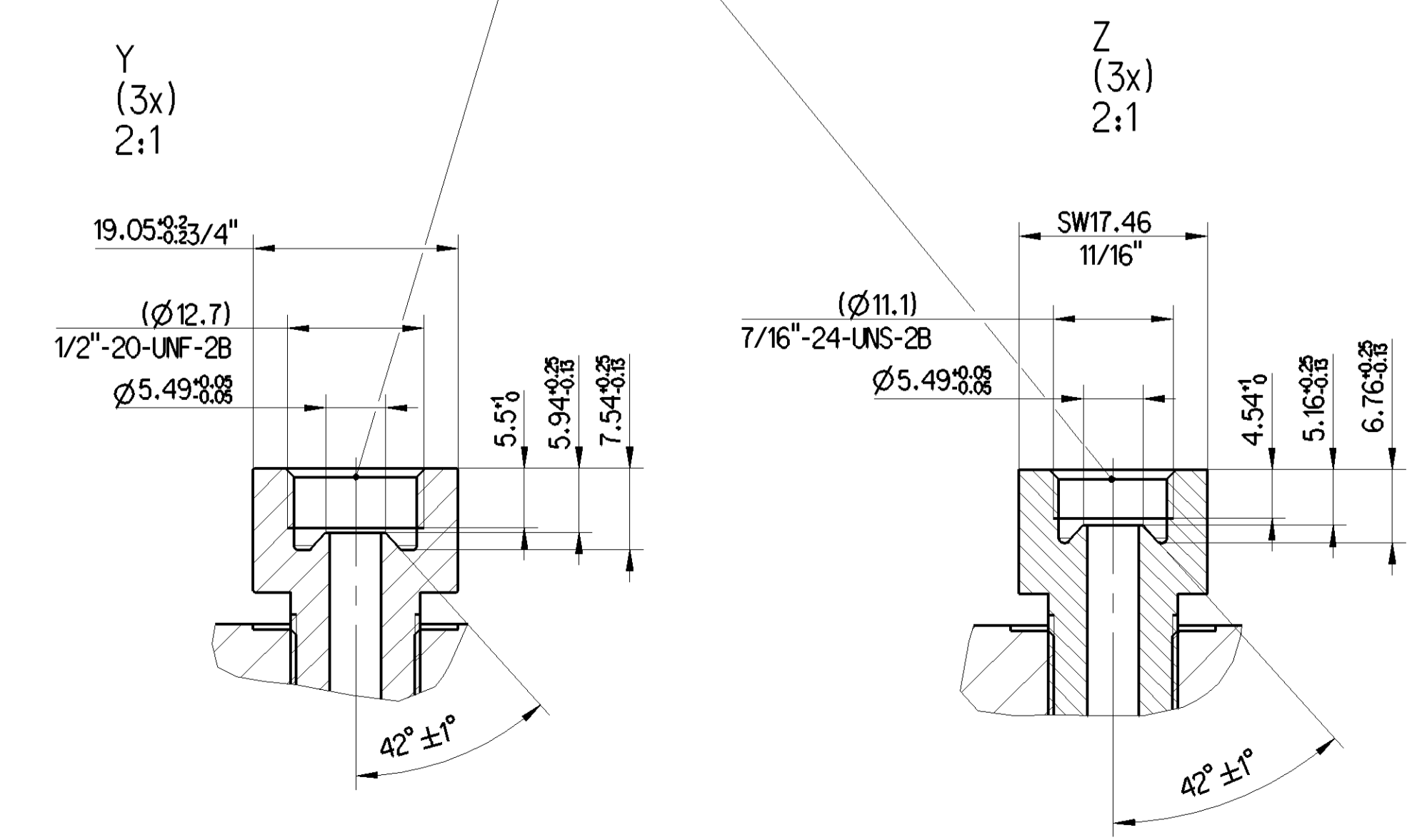
DIMENSIONAMENTO FATTO SULLA BASE DI NUMERO DI RIFERIMENTO AMP:
SOTTOGUPPO DI CORPO SECONDO DISEGNO C-208-15556 REV.5.2
CODICE: NUMERO 0
ADATTO AL CONNETTORE CORRISPONDENTE SECONDO DISEGNO C-953042; AMP-Ref:1-953042-6

CONNECTION NOT FUNCTIONAL AND PLUGGED
NICHT FUNKTIONSFÄHIG UND VERSCHLOSSEN
FERME CHIUSO

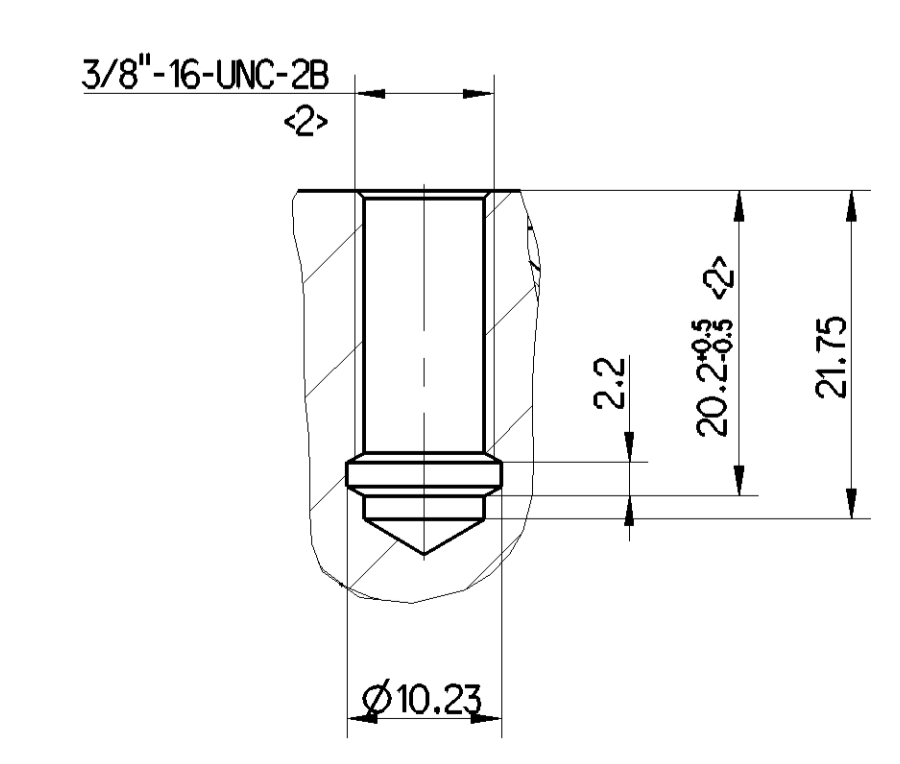


POINT OF ORIGIN, GERMANY
HERKUNFTSORT, DEUTSCHLAND

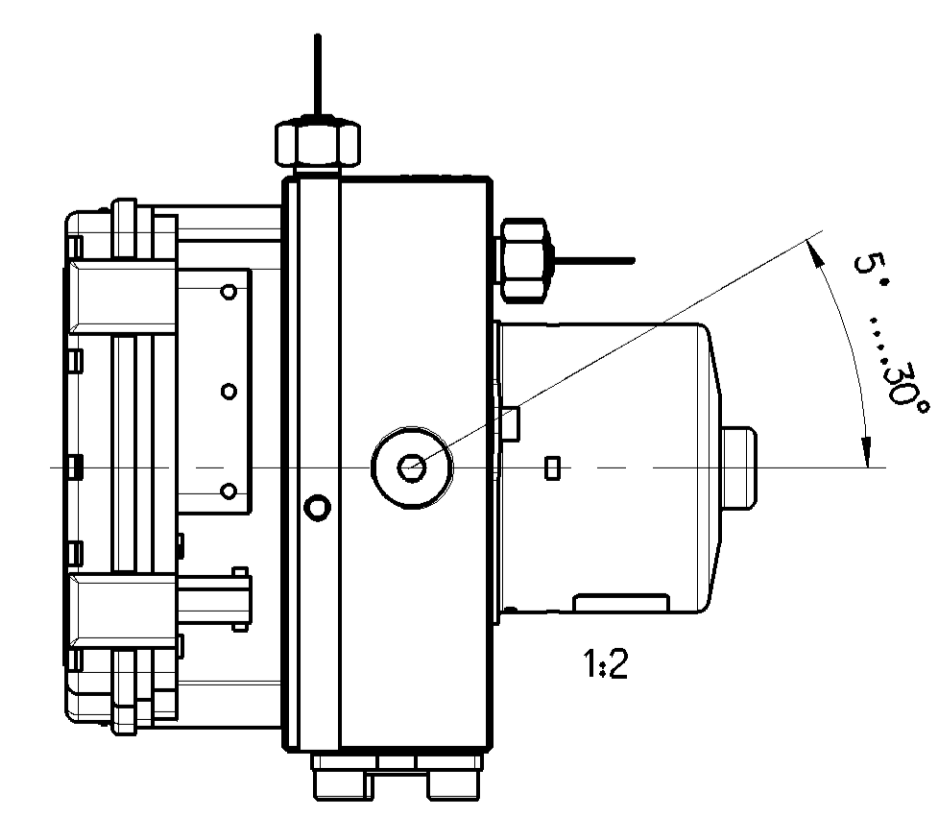
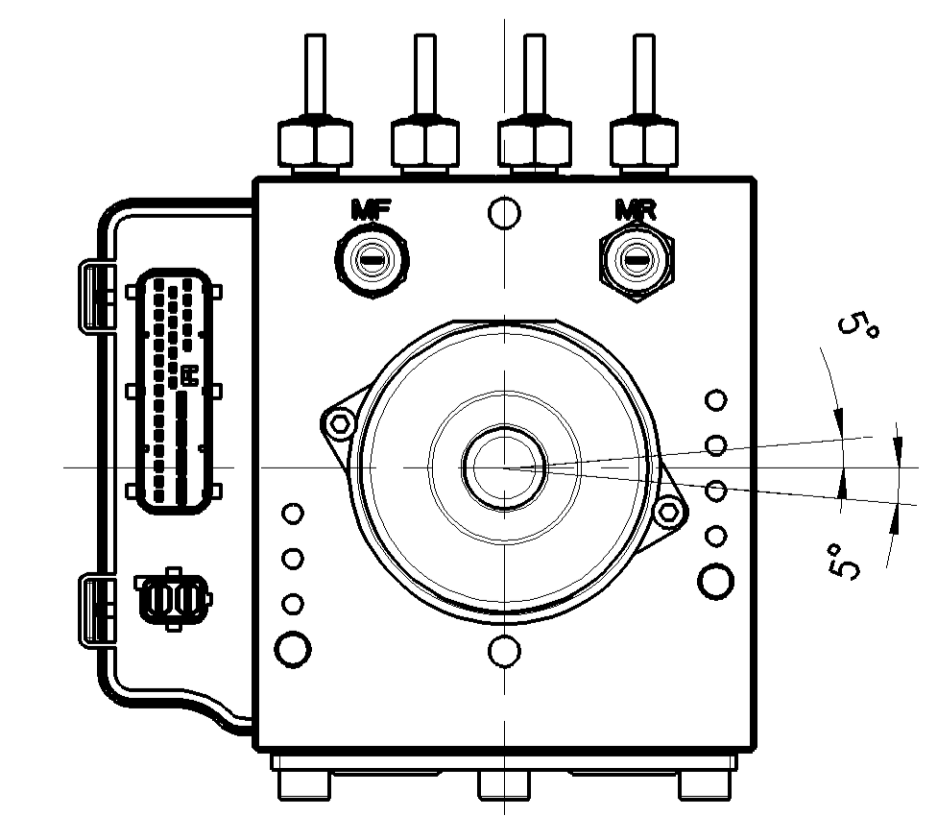
LOCKED ROTOR TORQUE FOR BRAKE LINES
ANZUGSMOMENT FUER BREMSROHR : M=15±3 Nm
COUPLE A ROTOR BLOQUE



Y (3x) 2:1
Z (3x) 2:1



INSTALLATION POSITION
EINBAULAGE
POSITION D'INSTALLATION
POSIZIONE DI MONTAGGIO



This document is the property of WABCO. It is intended for use by the customer and its authorized personnel. It is not to be distributed, copied, or reproduced in any form without the written consent of WABCO. WABCO reserves the right to modify this document without notice.