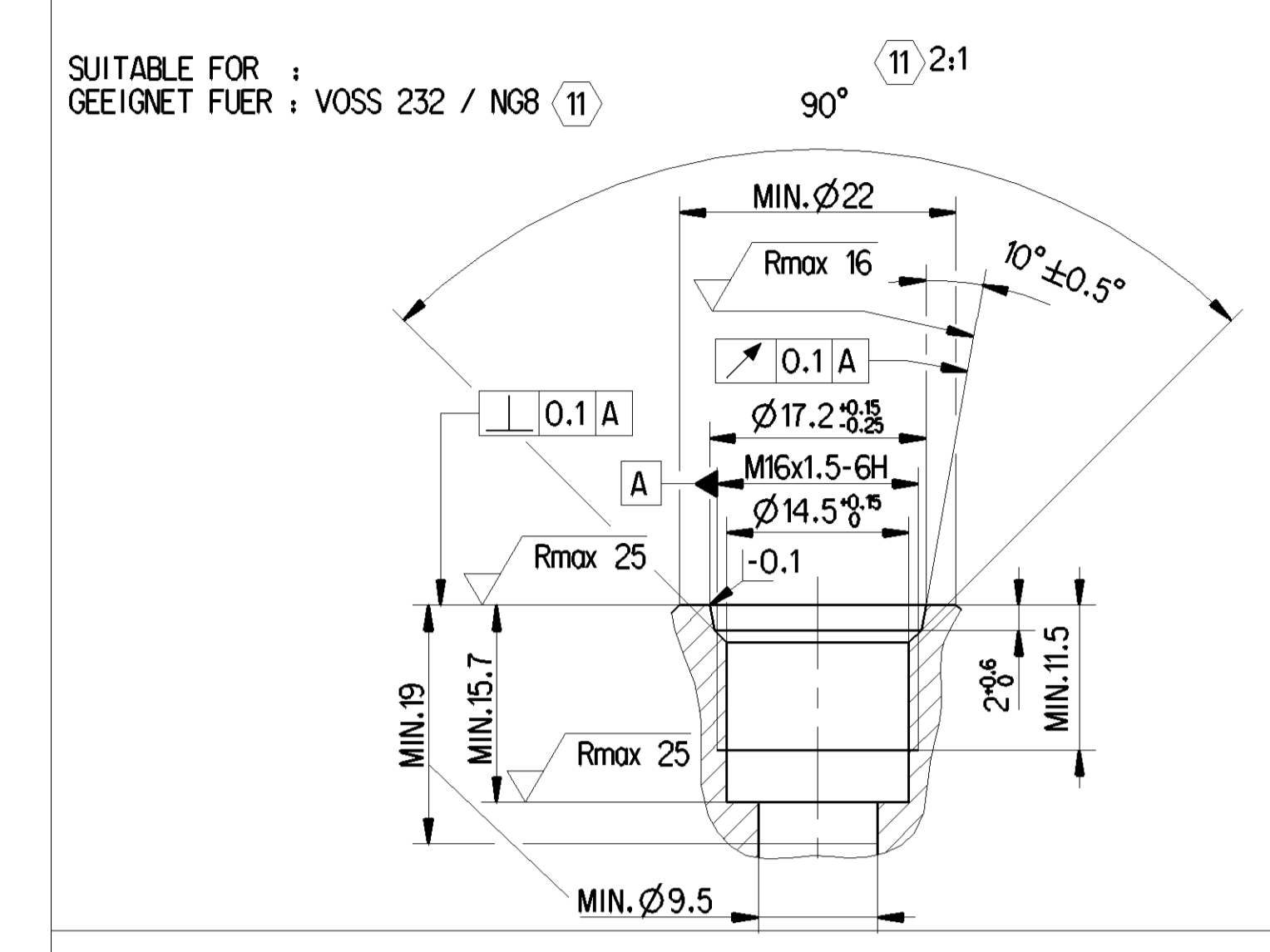
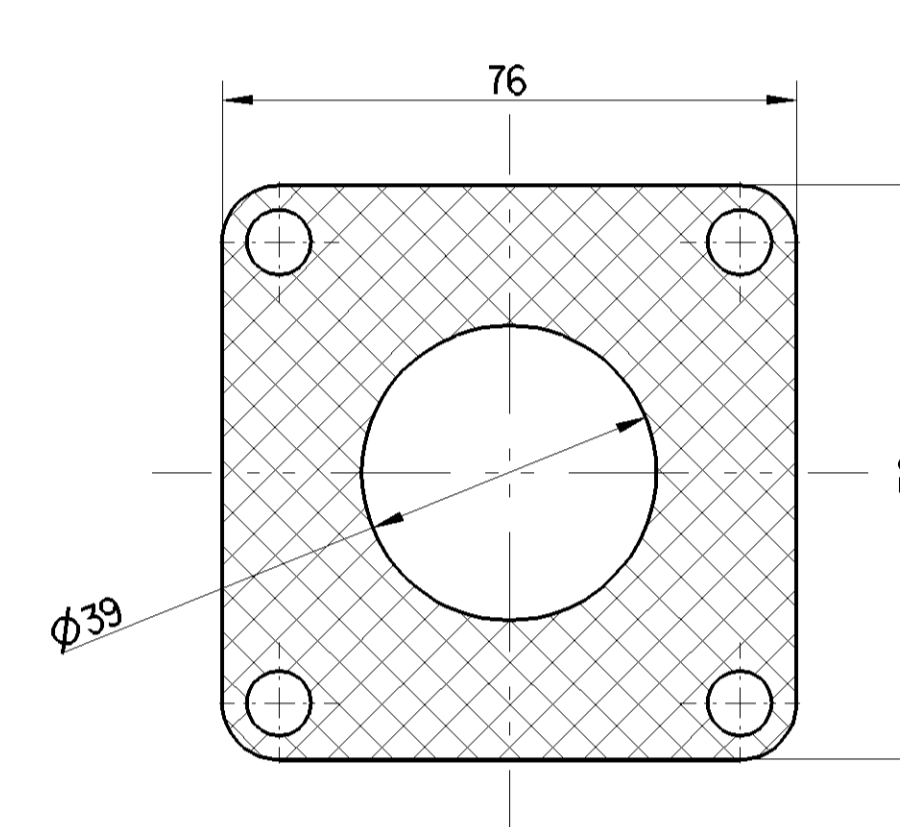


(1) DATA MATRIX CODE		① STOP WITHIN THE DEVICE ADMISSIBLE ANSCHLAG IM GERAET ZULAESSIG	
(2) MANUFACTURING PLANT PRODUKTIONSTAETTE	JED-225	② ALL ROUND ALLSEITIG	MAX. 5°
(3) WABCO-DEVICE NUMBER WABCO-GERAETE NUMMER		③ BALL KUGEL	$\varnothing 8^{+0.3}_0$ ROD STANGE MAX. $\varnothing 7.9$ WITH BALL MIT KUGEL MAX. $\varnothing 7.9$
(4) CUSTOMER NO. / REVISION CODE KUNDEN-NR. / AENDERUNGSINDEX		④ INSPECTION MARK PRUEFZEICHEN	EMV: E1 10R - 05 5936
(5) WEEK / YEAR OF MANUFACTURE FERTIGUNGSWOCHE / -JAHR		⑤ IN THIS ZONE IN DIESEM BEREICH	WATER JETS AND PAINT NOT PERMITTED KEIN STRAHLWASSER UND LACK ZULAESSIG
(6) RUNNING NUMBER LAUFENDE NUMMER		⑥ TAPPET CLEARANCE: OBSERVE VEHICLE MANUFACTURER'S INSTALLATION INSTRUCTION STOSSELSPIEL: EINSTELLVORSCHRIFT DES FAHRZEUGHERSTELLERS BEACHTEN	

MATERIAL MATERIAL		SURFACE PROTECTION OBERFLAECHENSCHUTZ	
I	Al JED-029M1	Cr	JED-259-1
II	PA6.6 JED-354-1		
III	PBT-GF30 JED-352-1		
IV	Fe JED-051M4	Zn/Ni	JED-739-3
V	Al JED-077-1	⑩	JED-007-1
VI	Fe JED-051M4	Zn/C	JED-256-1
VII	Fe JED-051M4	Zn/C	JED-256-4
VIII	⑧	JED-024M1	
IX	NBR	JED-7080M	
X	CuZn37		⑨
XI	PA6 + PA6.6 JED-557 + JED-484	Cr	JED-259-0
XII	Al JED-029M1		
XIII	NBR JED-230 ①		

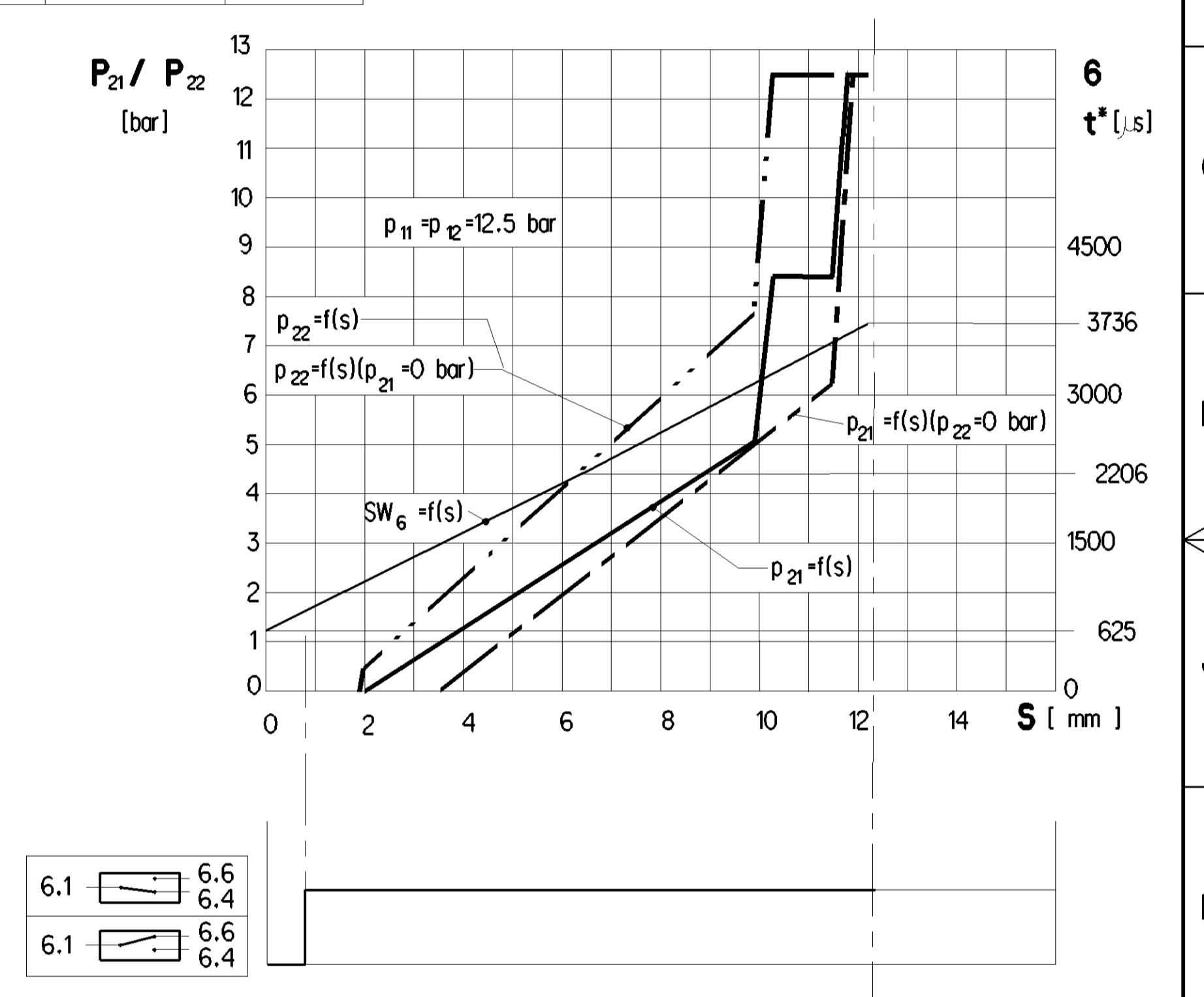


MINIMUM CONTACT SURFACE AT PEDAL PLANT FOR SEALING
MINDESTANLAGEFLAECHE AN PEDALANLAGE ZUR ABDICHTUNG

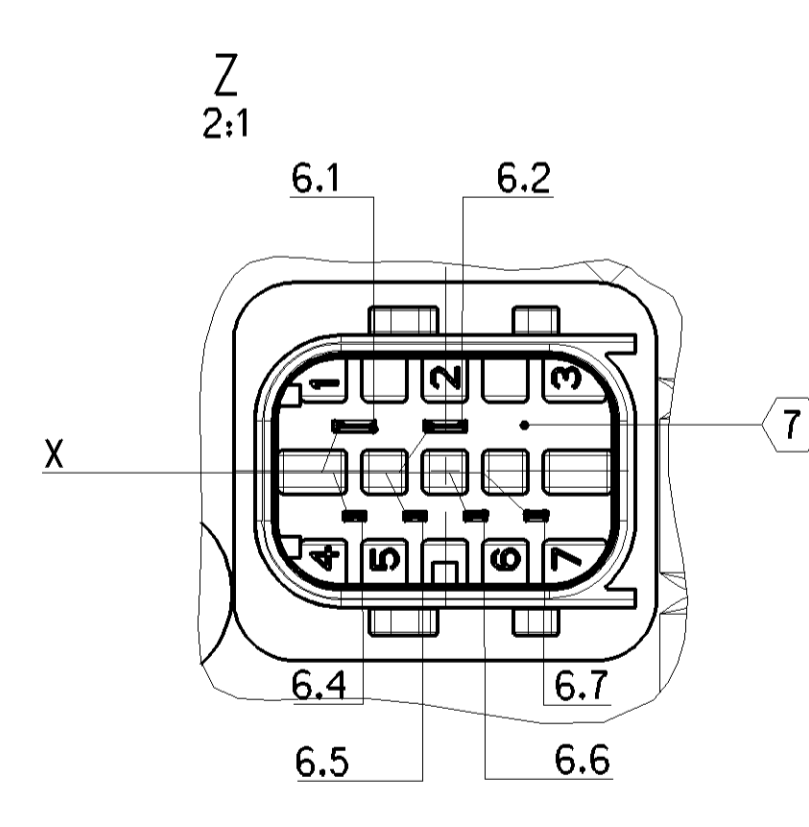
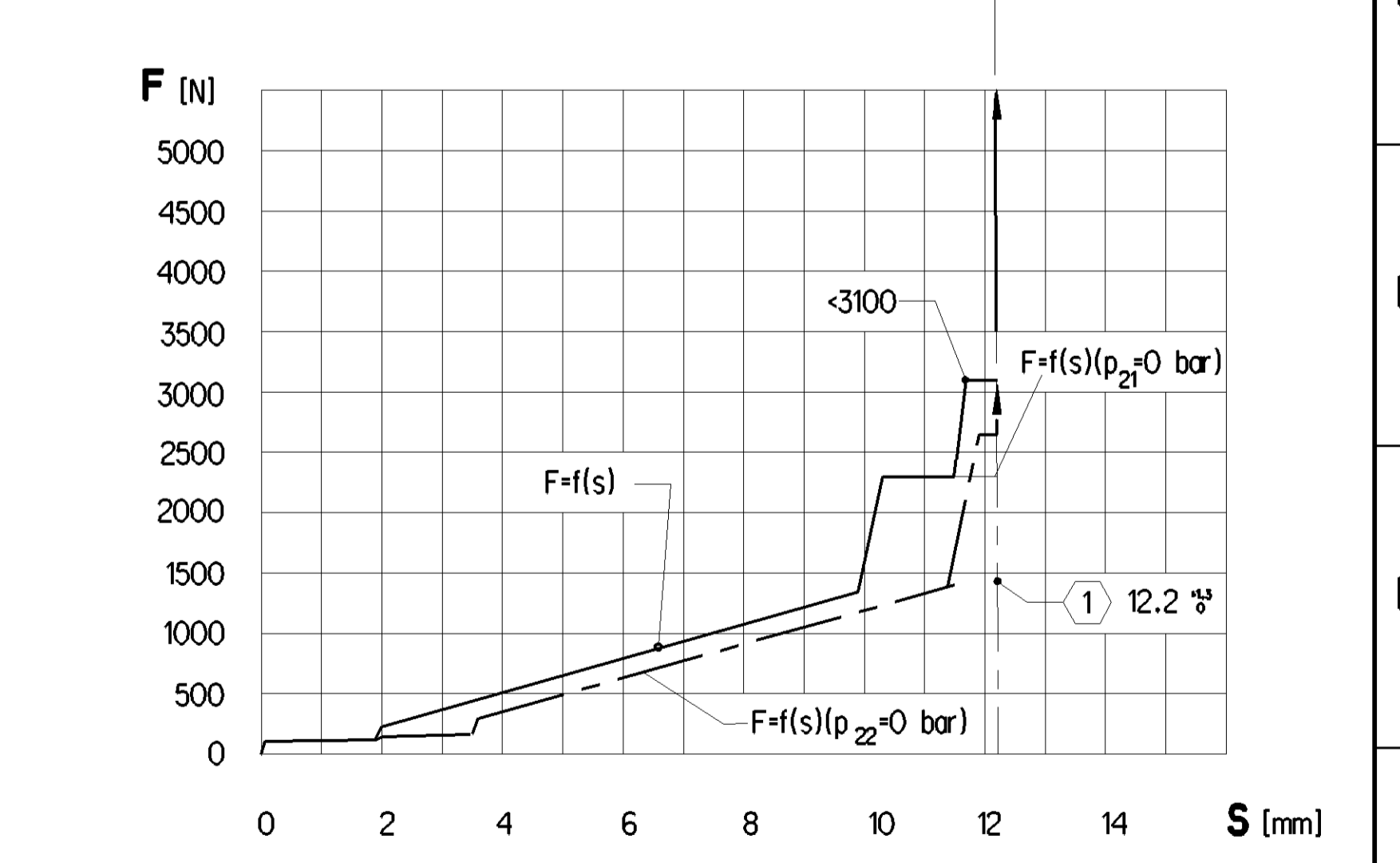


⑦ CONNECTOR ACCORDING TO INTERFACE DRAWING STECKER GEMAESS SCHNITTSTELLEZEICHNUNG	858 000 854 4 DOC.-CODE 007 REV. 'G'
⑦ TYCO-INTERFACE DRAWING TYCO-AUSFUEHRUNGSVORSCHRIFT	C-114_18740-1 REV. 'b'
⑧ CODING KODIERUNG	A
⑧ STAINLESS STEEL NICHTSTOENDER STAHL	
⑨ COATING LAYER THICKNESS SCHICHTDICKE	min.1.5 µm
⑩ ANODIC OXIDATION ANODISCHE OXIDATION	
⑪ VOSS 232 / N68	
⑫ CUSTOMER RELEVANT SAFETY CHARACTERISTIC	
F MAX. PERMISSIBLE ZULAESSIG	22000N SEE PRODUCT SPECIFICATION SIEHE PRODUKT SPECIFIKATION
⑬ SURFACE ROUGHNESS OBERFLAECHEENRAUHEIT	Ra12.5 FLATNESS EBENHEIT 0.3

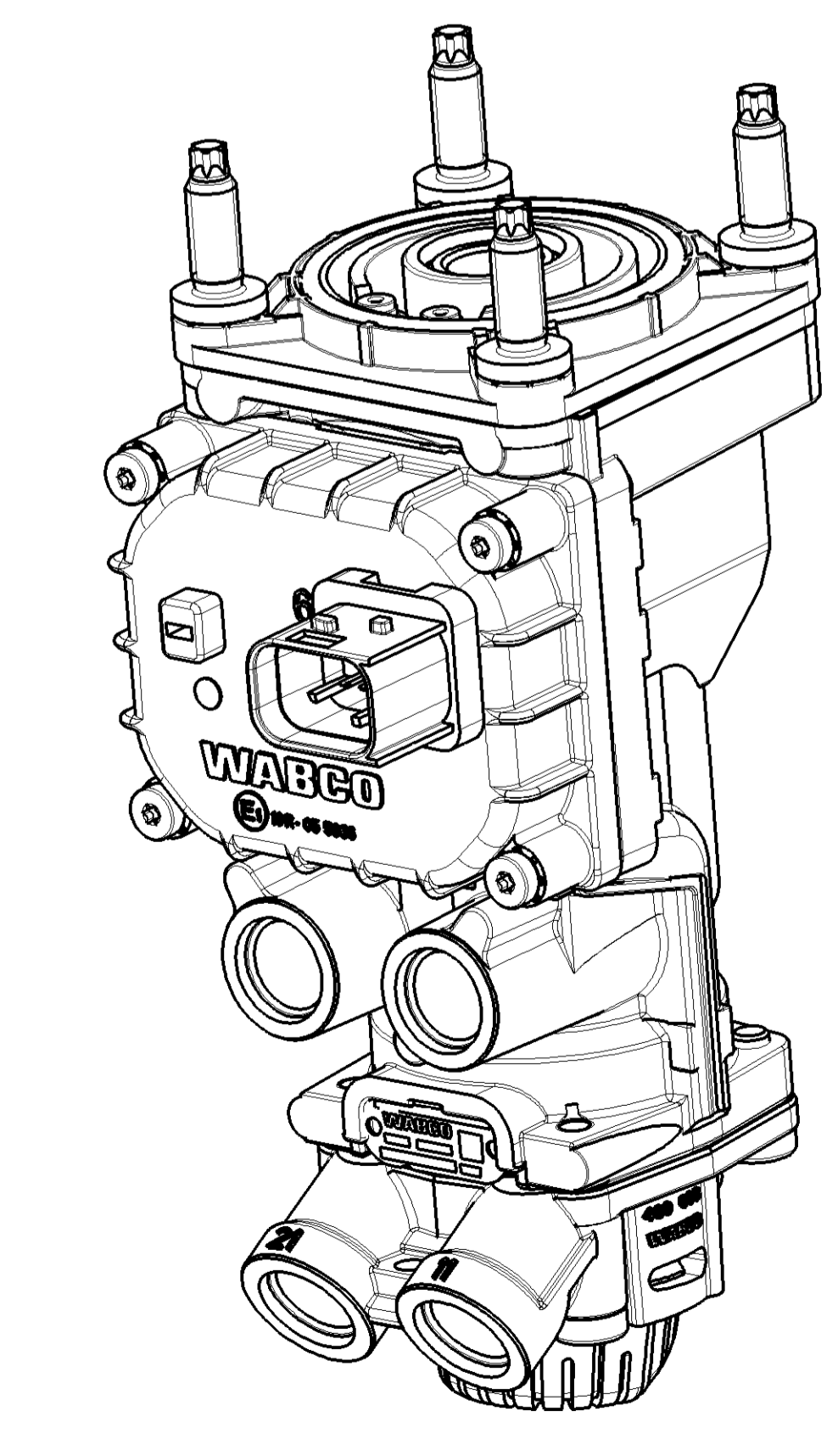
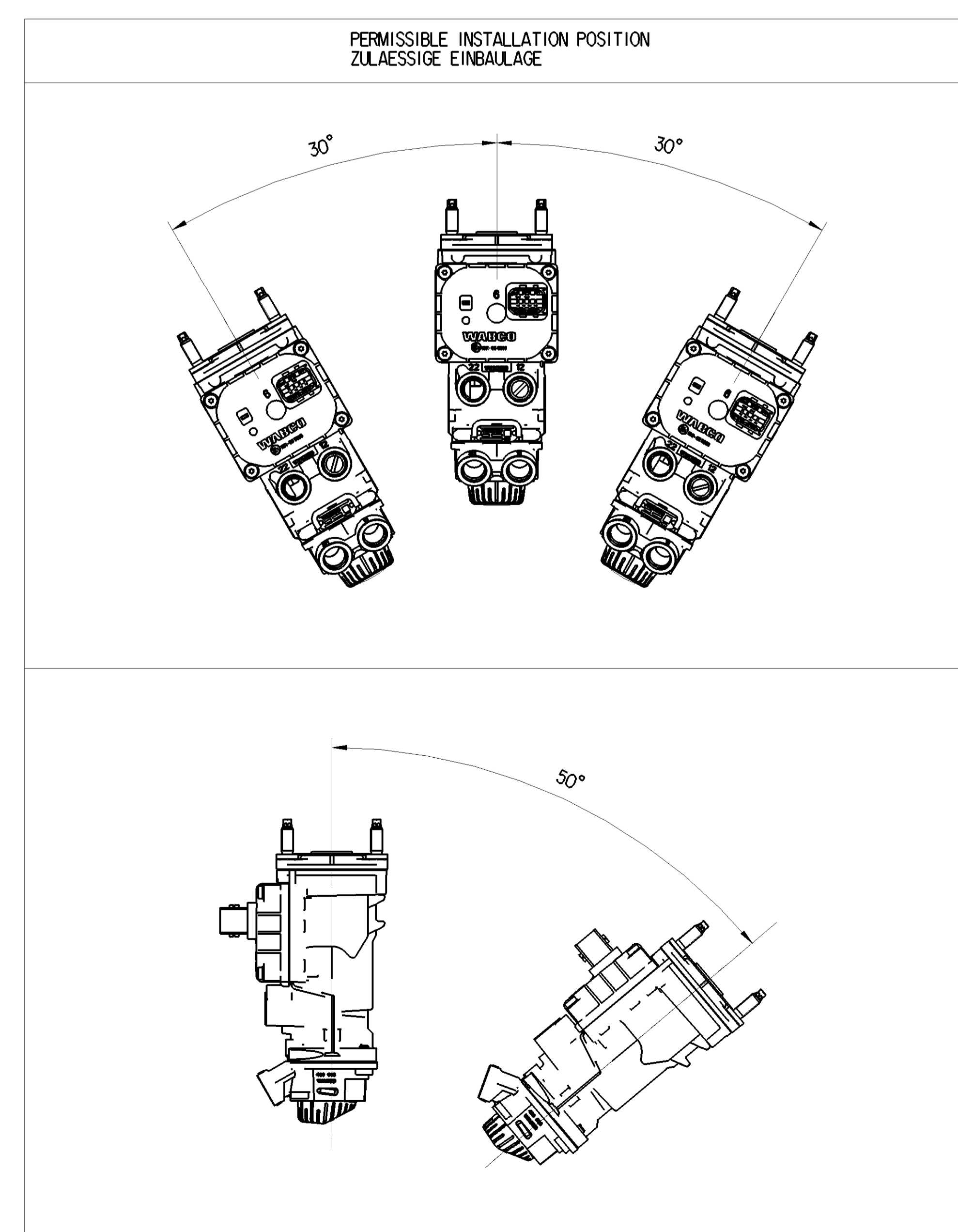
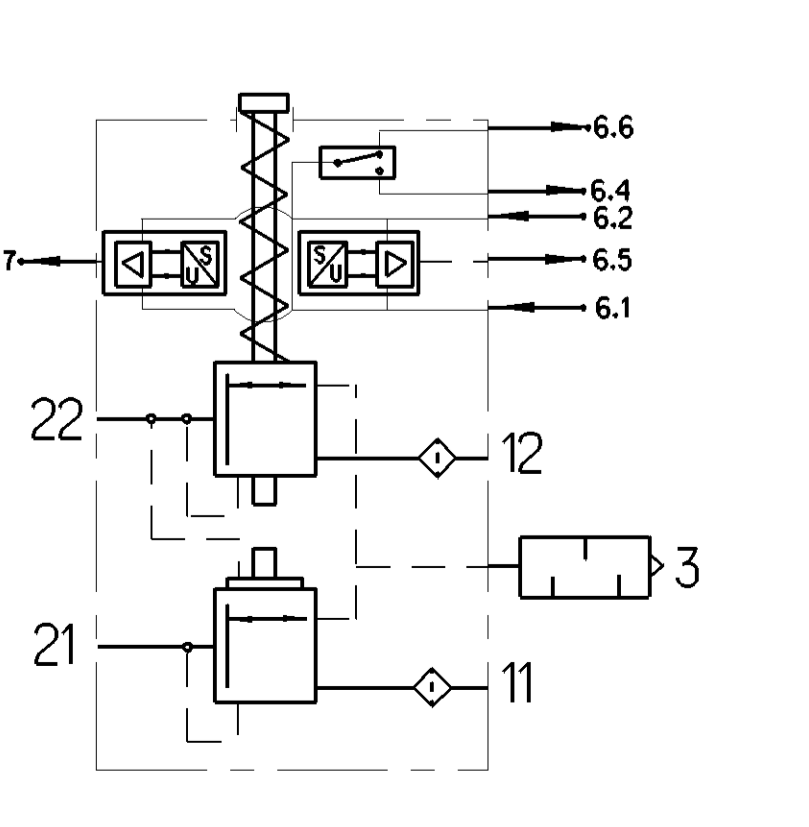
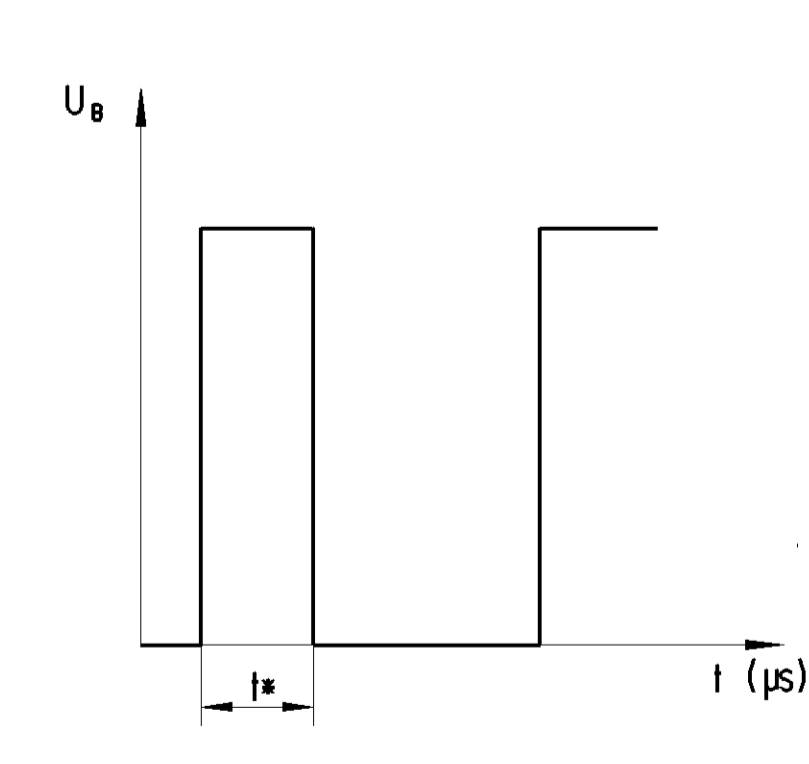
PORT PORT	DESIGNATION BENENNUNG	THREAD GEWINDE	TIGHTENING TORQUE ACCORDING TO ANZIEHDREHMOMENT
11/12	SUPPLY VORRAT	⑪	MAX. 34 Nm
21/22	OUTLET AUSGANG	M16 x 1.5 JED-388-4	
3	EXHAUST ENTLUEFTUNG		
6	ELECTRICAL CONNECTION ELEKTRISCHER ANSCHLUSS		



AI FAILURE EPB AND PN. CIRCUIT BEI AUSFALL EPB UND PN. KREIS	2	NECESSARY STROKE ERFORDERLICHER WEG S 13.5 mm	NECESSARY FORCE ERFORDERLICHE KRAFT F 2700 N
--	---	---	--



6.1	GND	0V
6.2	Ub	+(Ub = 12...32V DC)
6.4	SW1	6.1 6.6
6.6	SW2	6.4 6.4
6.5	PW1	I+ F=198 Hz
6.7	PW2	I+ F=202 Hz



General Specifications JED-554-1, Size ISO 14400 LP		Copyright WABCO®		WABCO	
Further Technical Data		Date: 2019-10-16		BRAKE SIGNAL TRANSMITTER BREMSWERTGEBER	
Doc. Code: 2019-10-16		Sheet: 1 of 1		Date of 1st issue: 2017-04-07	
General Tolerances: JED-261		Check: Miksa		Doc. Code: Language: Sheet	
Range of Nominal Dimensions L (± mm)		Last: Adamski			
Class 1: ± 0.50 ± 0.10 ± 0.15 ± 0.20		Scale: 1:1 (2:1)			
Class 2: ± 0.50 ± 0.10 ± 0.15 ± 0.20		Part: 480 003 059 0			
Class 3: ± 0.50 ± 0.10 ± 0.15 ± 0.20		Revision: 006 DE 1/2			
Class 4: ± 0.50 ± 0.10 ± 0.15 ± 0.20		Tapped Holes acc. JED-388-4			
Class 5: ± 0.50 ± 0.10 ± 0.15 ± 0.20		Tapped Holes acc. JED-388-4			
Class 6: ± 0.50 ± 0.10 ± 0.15 ± 0.20		Tapped Holes acc. JED-388-4			
Class 7: ± 0.50 ± 0.10 ± 0.15 ± 0.20		Tapped Holes acc. JED-388-4			
Class 8: ± 0.50 ± 0.10 ± 0.15 ± 0.20		Tapped Holes acc. JED-388-4			
Class 9: ± 0.50 ± 0.10 ± 0.15 ± 0.20		Tapped Holes acc. JED-388-4			
Class 10: ± 0.50 ± 0.10 ± 0.15 ± 0.20		Tapped Holes acc. JED-388-4			
Class 11: ± 0.50 ± 0.10 ± 0.15 ± 0.20		Tapped Holes acc. JED-388-4			
Class 12: ± 0.50 ± 0.10 ± 0.15 ± 0.20		Tapped Holes acc. JED-388-4			
Class 13: ± 0.50 ± 0.10 ± 0.15 ± 0.20		Tapped Holes acc. JED-388-4			
Class 14: ± 0.50 ± 0.10 ± 0.15 ± 0.20		Tapped Holes acc. JED-388-4			
Class 15: ± 0.50 ± 0.10 ± 0.15 ± 0.20		Tapped Holes acc. JED-388-4			
Class 16: ± 0.50 ± 0.10 ± 0.15 ± 0.20		Tapped Holes acc. JED-388-4			
Class 17: ± 0.50 ± 0.10 ± 0.15 ± 0.20		Tapped Holes acc. JED-388-4			
Class 18: ± 0.50 ± 0.10 ± 0.15 ± 0.20		Tapped Holes acc. JED-388-4			
Class 19: ± 0.50 ± 0.10 ± 0.15 ± 0.20		Tapped Holes acc. JED-388-4			
Class 20: ± 0.50 ± 0.10 ± 0.15 ± 0.20		Tapped Holes acc. JED-388-4			
Class 21: ± 0.50 ± 0.10 ± 0.15 ± 0.20		Tapped Holes acc. JED-388-4			
Class 22: ± 0.50 ± 0.10 ± 0.15 ± 0.20		Tapped Holes acc. JED-388-4			
Class 23: ± 0.50 ± 0.10 ± 0.15 ± 0.20		Tapped Holes acc. JED-388-4			
Class 24: ± 0.50 ± 0.10 ± 0.15 ± 0.20		Tapped Holes acc. JED-388-4			

A
B

Non e permesso copiare, o terzi o riprodurre questo documento, ne utilizzare il contenuto o renderlo comunque noto a terzi senza autorizzazione esplicita. Ogni infrazione costituisce un evidente abuso e comportera il risarcimento dei danni subiti. E' fatta riserva di tutti i diritti derivanti da brevetti o modelli.
 Copying of this document and giving it to others and the use or communication of the contents thereof, are forbidden without express authority. Contravention of this restriction will constitute an evident abuse and result in a liability to the payment of damages. All rights are reserved in the event of the grant of patent or registration of a utility model or design. This document is the subject of copyright.

Toutte communication ou reproduction de ce document, toute exploitation ou communication de son contenu sont interdites, sauf autorisation expresse. Tout manquement a cette regle constitue un abus evident et expose son auteur au versement de dommages et interets. Tous droits de proprieete industrielle reserves, notamment en matiere de brevets et de modeles.
 Weitergabe sowie Vervielfaltigung dieser Unterlagen, Verleihen und Mitteilen ihres Inhalts nicht gestattet, soweit nicht ausdru cklich andersbestimmt. Weiterverbreitung stellen eine offensichtliche Missbrauch dar und verpflichten zu Schadenersatz. Alle Rechte hier den Fall der Patentierung oder Gebrauchsmuster-Eintragung vorbehalten.

HANDLING, STORAGE, PACKAGING, PRESERVATION AND DELIVERY
 HANDHABUNG, LAGERUNG, VERPACKUNG, KONSERVIERUNG UND VERSAND

480 020 000 0
 (DOC 035)

FOR FURTHER TECHNICAL DATA SEE PRODUCT SPECIFICATION DOCUMENT N°
 WEITERE TECHNISCHE DATEN SIEHE PRODUKTSPEZIFIKATION-DOKUMENTEN NR

480 003 059 0
 (CODE 035)

THE DEVICE IS SUITED FOR INSTALLATION ON THE DRIVER'S CAB ONLY
 GERAET IST NUR FUER FAHRERHAUSANBAU GEEIGNET

PERMISSIBLE LEAKAGE ZULAESSIGE LECKAGE		SEE PRODUCT SPECIFICATION SIEHE PRODUKTSPEZIFIKATION	
THERMAL RANGE OF APPLICATION THERMISCHER ANWENDUNGSBEREICH	-40 °C.....+80 °C		
SHORT TERM RESISTANCE TO HEAT KURZZEITIGE WAERMEBESTAENDIGKEIT	MAX. 110 °C AT 1h	WITHOUT FUNCTION OHNE FUNKTION	
NOMINAL DIAMETER NENNWEITE	12 => 22	Ø6 mm	
	11 => 21	Ø5 mm	
	22 => 3	Ø5.4 mm	
	21 => 3	Ø5 mm	
WORKING MEDIUM ARBEITSMEDIUM	AIR (WATER-,OIL-AND ALCOHOL CONTAINING) LUFT (WASSER-,OEL-UND ALKOHOLHALTIG)		
AMBIENT ENVIRONMENT UMGEBUNGSMEDIUM	AIR (WATER-,SALT-; DUST-AND OIL CONTAINING) LUFT (WASSER-,SALZ-;STAUB-UND OELHALTIG)		
PERMISSIBLE PRESSURE ZULAESSIGER DRUCK		pe = MAX.15 bar	
WORKING PRESSURE BETRIEBSDRUCK		pe = 12.5 bar	
IN A DISTANCE OF IM ABSTAND VON	7m	SOUND LEVEL SCHALLPEGEL	< 69 dbA (ISO 3744)
OPERATING VOLTAGE BETRIEBSSPANNUNG		24 ⁺⁸ ₋₁₂ V DC	
LOAD-CARRYING CAPACITY BELASTBARKEIT	6.4 / 6.6	≤ 10mA OHMSCHER LAST	
OUTLET AUSGANG	6.5 / 6.7	PWM-SIGNAL I _{max} .20mA R _i =100KΩ	
CURRENT CONSUMPTION STROMAUFNAHME	6.2	MAX.200mA	

PROTECTION CLASS ACC. TO
 SCHUTZKLASSE NACH

VDE 0580

TYPE OF PROTECTION SCHUTZART	COMPLETE DEVICE WITH MOUNTED COUPLING KOMPLETTES GERAET MIT MONTIERTER KUPPLUNG	IP 6K6K IP 6K9K
	ELECTRIC TERMINALS WITHOUT MOUNTED COUPLING ELEKTRISCHE ANSCHLUESSE OHNE MONTIERTER KUPPLUNG	IP 6K7

MAX. LEAKAGE, DURING PRESSURE MAINTENANCE
 OR WHILE NOT OPERATED, NEW DEVICE
 MAX. LECKAGE , DRUCKHALTEND ODER UNBETAETIGT, NEUGERAET

≥ -20°...+80 °C 10 cm³/min.
 -40°...-20 °C 1500 cm³/min

DIN 1343

ⓑ

General Specification: JED-334-1, Size ISO 14405 LP		Copyright WABCO®		WABCO	
Further Technical Data:		Date	Signature	BRAKE SIGNAL TRANSMITTER BREMSWERTGEBER	
Doc. Code	Sheet	2019-10-16	Mksa		
General Tolerances JED-261		Checked	2019-10-21	Adamski	
Range of Nominal Dimensions (± mm)		Expert	Keska		
Class 1)	≤ 50 > 50 > 180 > 400 > 400	Material No.	480 003 059 0		
Fine	0.5 1.0 1.5 2.0	Mass	1.350	Scale	2017-04-07
Medium	1.0 2.0 3.0 4.0	Size	KG	NTS	Doc.Code Language Sheet
Coarse	2.0 3.5 5.0 6.5	Size	A 2	CREO	005 DE 2/2
Tapped Holes acc. -		ECN-No.	175367	Revision	1/4 B
1) Tolerance Class Applied Crossmarked		Techn. Resp.	6860	Replacement for	
				480 003 039 0	

A
B
C
D
E
F
G
H