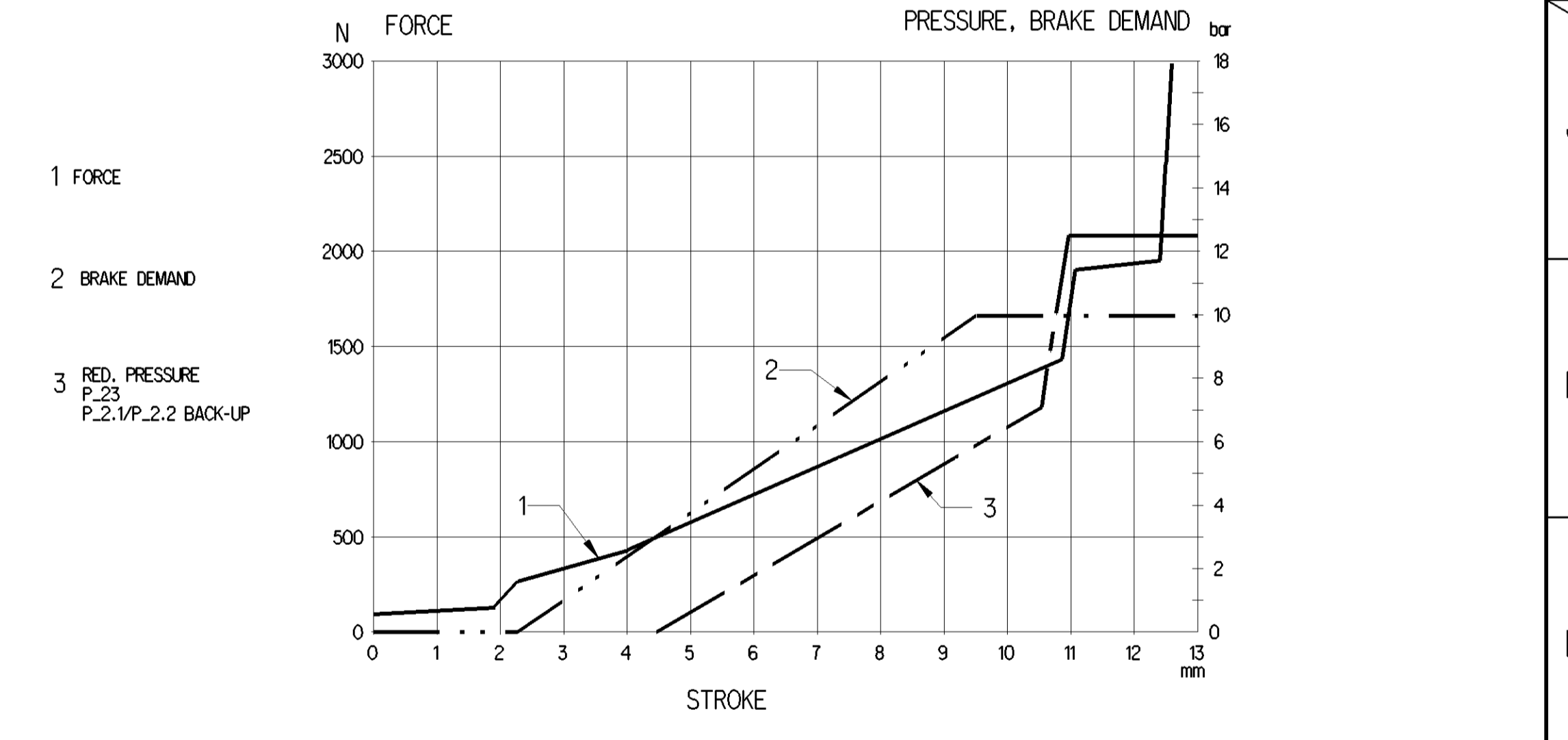


SAFETY CHARACTERISTICS	3
SIGNIFICANT CHARACTERISTICS	0
WORKING MEDIUM	AIR (CONTAINING WATER, OIL AND ALCOHOL)
AMBIENT ENVIRONMENT	AIR (CONTAINING WATER, SALT, DUST AND OIL)
THERMAL RANGE OF APPLICATION UNDER NORMAL AMBIANT CONDITIONS	-40°...+80°C
SHORT TERM RESISTANCE TO HEAT	MAX. 110°C AT th WITHOUT FUNCTION
CURRENT CONSUMPTION	0.5...11A
MAX. WORKING PRESSURE (SUPPLY)	Pe=12.7 bar
MAX. PERMISSIBLE WORKING PRESSURE	Pe=13 bar TEMPORARILY
VOLTAGE TERMINAL	6.1 / 6.2 : 24 ¹⁸ V
DEGREE OF PROTECTION ACCORDING TO IEC 529	COMPLETE DEVICE WITH SOCKET IP 6K 6K, IP 6K 9K
PROTECTION CLASS ACC. TO VDE 0580	III
AT FAILURE EBS	NECESSARY STROKE S 12mm NECESSARY FORCE F 2500 N
SOCKET	858 000 834 4
INSPECTION MARK	(E) 10R - 056419
IDENTIFICATION NUMBER	7
MANUFACTURING PLANT	JED-225
CUSTOMER NO.	8
DATE OF MANUFACTURE (wwyy)	JED-226
DATA CODING	9

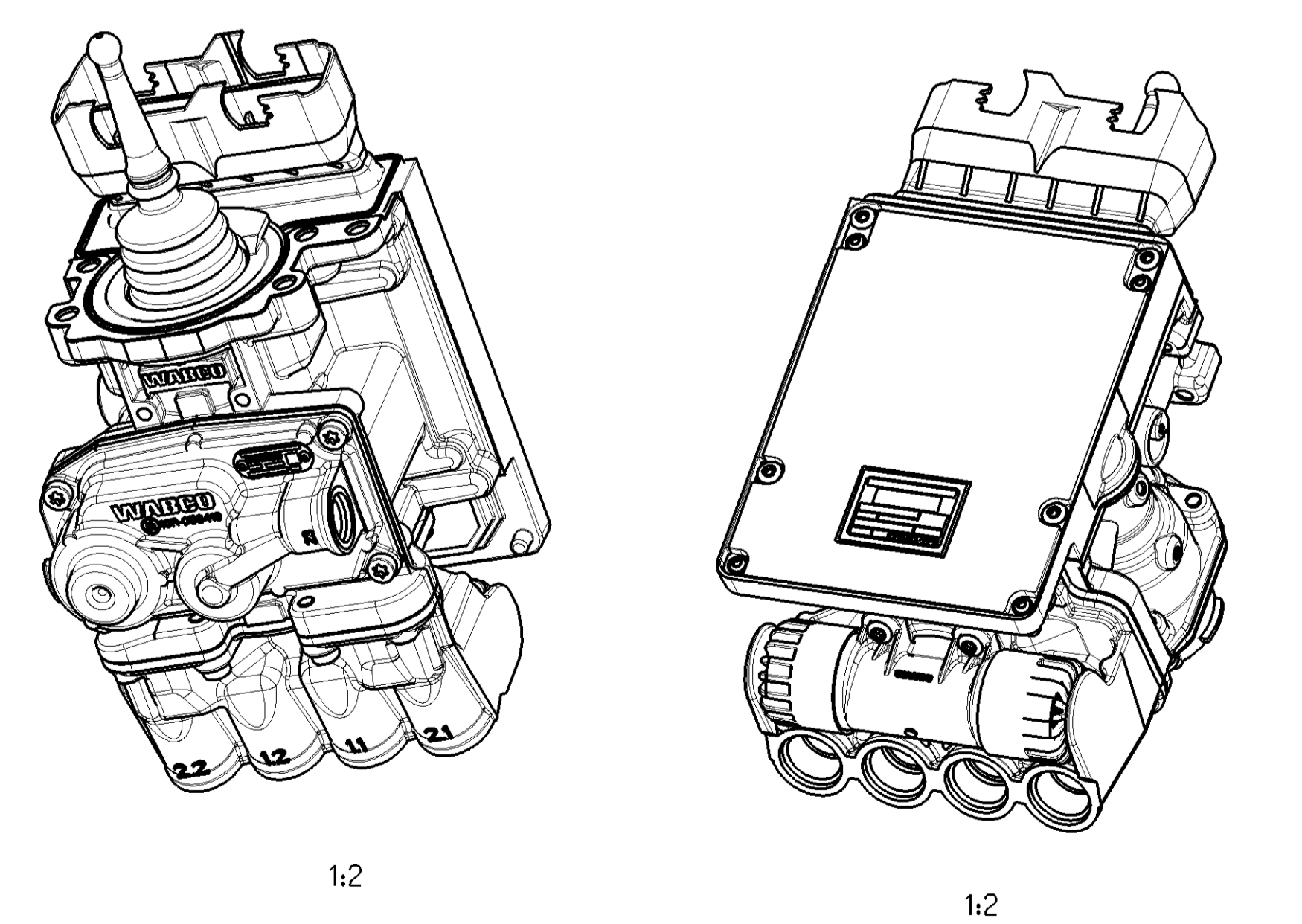
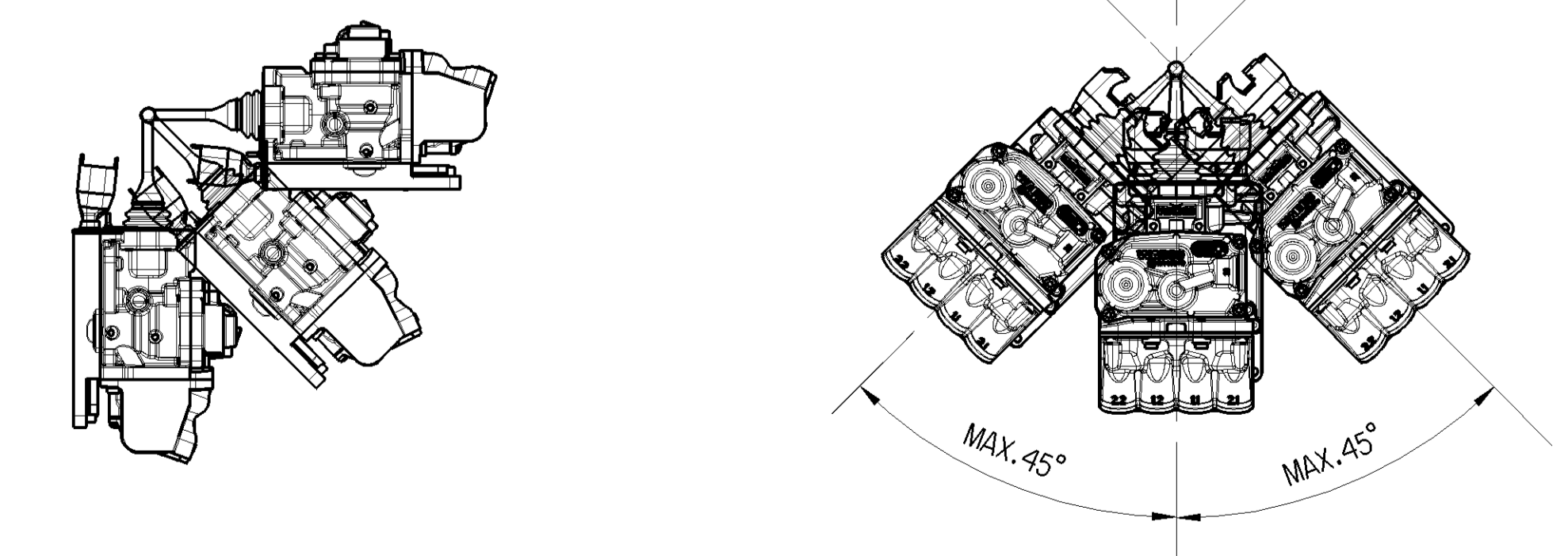
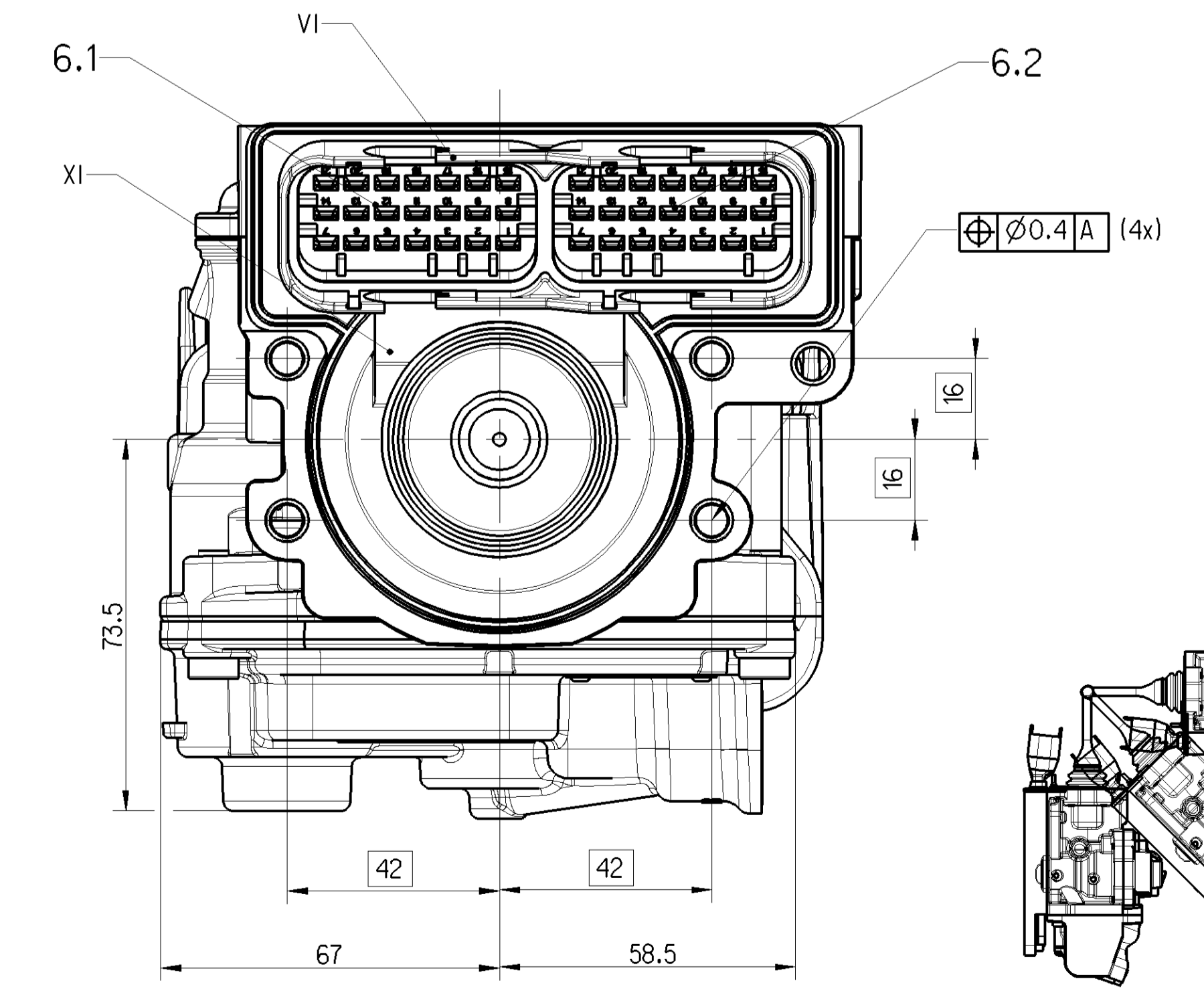
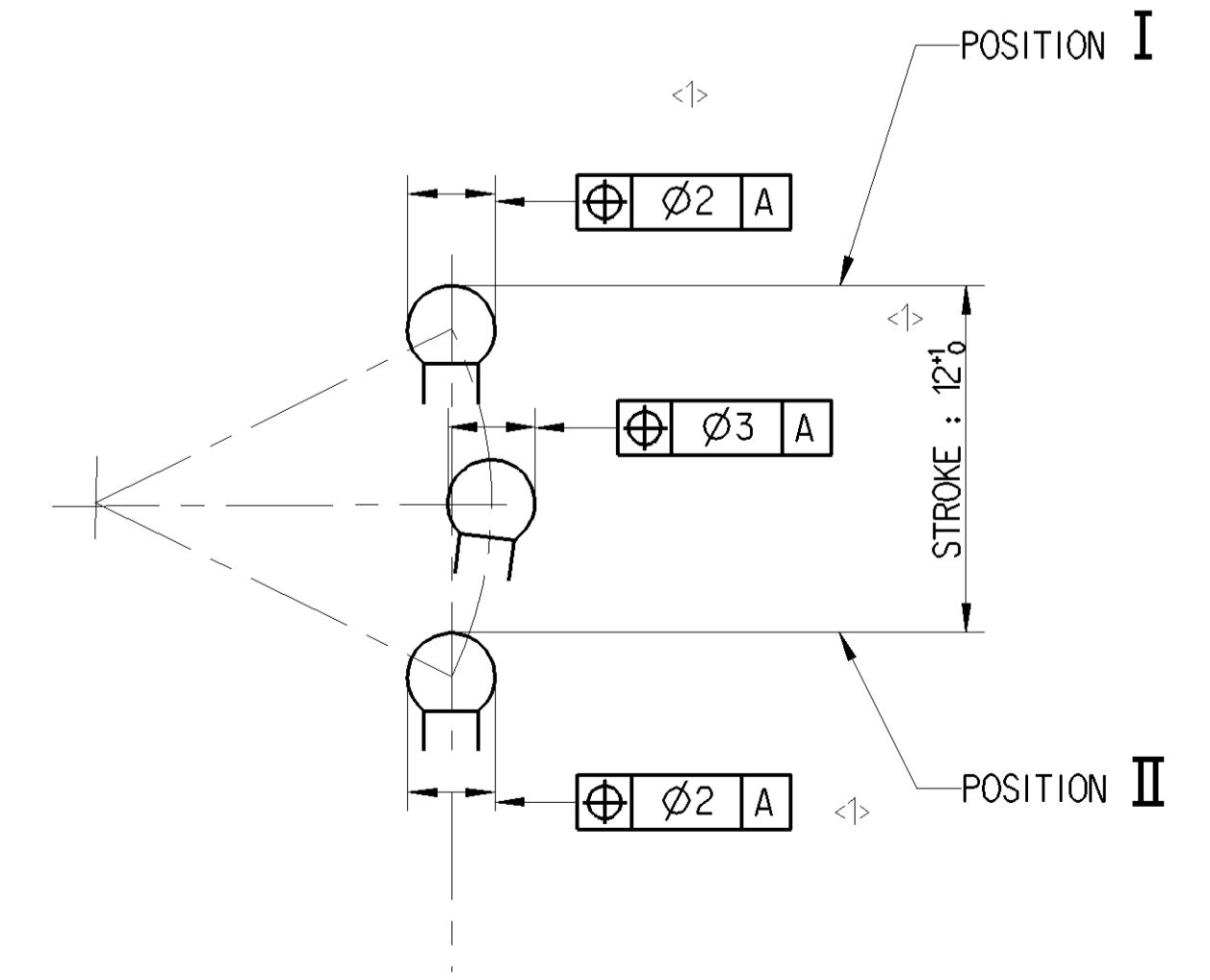
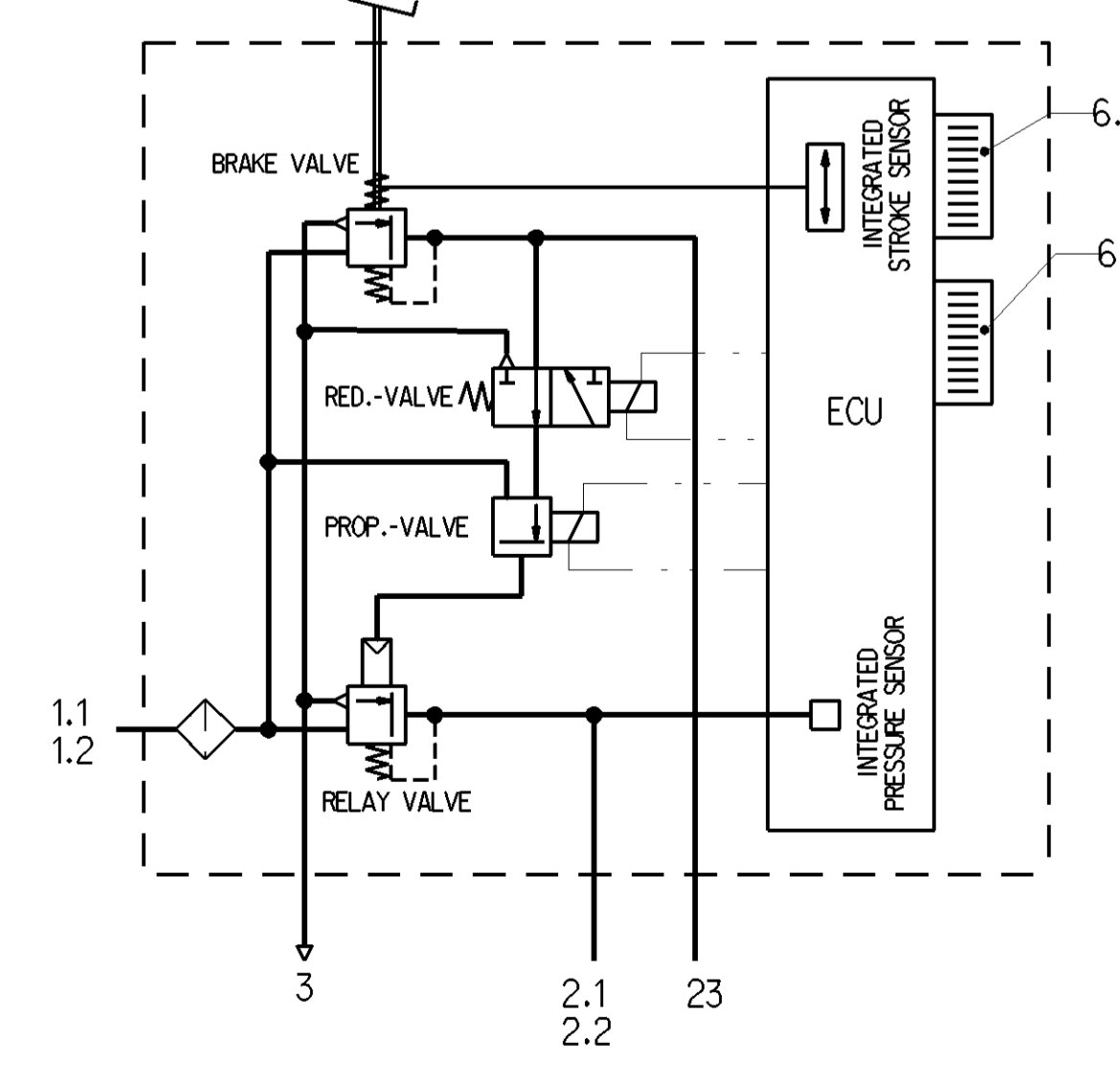
SENSITIVE ELECTRONIC DEVICE, TO BE HANDLED WITH THE UTMOST CARE
DO NOT TOUCH CONNECTOR CONTACTS AND RECEPTACLE CONTACTS
FOR FURTHER TECHNICAL DATA SEE PRODUCT SPECIFICATION

TENSION FREE MOUNTING OF THE LINES

	①	②	③	MATERIAL / SURFACE PROTECTION
FOR THREAD PERMISSIBLE	M16	M22	M8	I JED-626-0 / JED-256-1 II JED-612 III JED-029M1 / JED-259 IV JED-354-1 V JED-352-1
TORQUE ACCORDING TO JED-366	MAX. 34 Nm	MAX. 53 Nm	MAX. 27 Nm	VI CuFe 2P / Ni/Sn (Sn99.9) 3+3µm VII JED-077-1 / JED-007-1 VIII JED-483 (PA6.6 25% GV) + JED-484 (PA6.6)
TENSION FREE MOUNTING OF THE LINES				IX JED-058M0 X JED-051M4 / JED-739-3 XI ZYTEL HTN52G35HSL NCO10
SONSTIGE TECHNISCHE INFORMATIONEN 480 020 000 0 DOC.035				



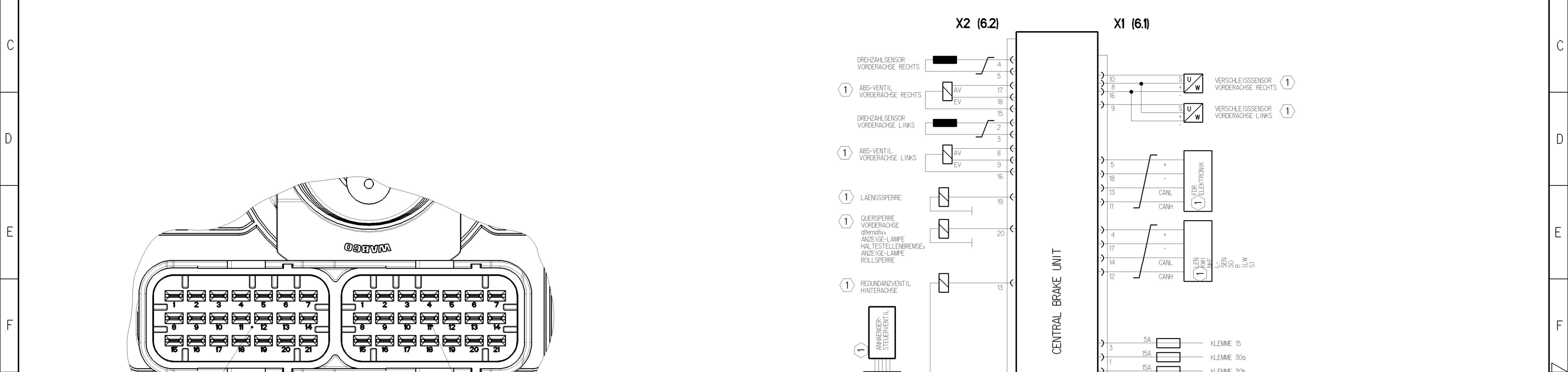
- 11/12 SUPPLY
- 21/22 DELIVERY
- 23 REDUNDANCY
- 3 EXHAUST
- 6.1 ELECTRICAL CONTROL
- 6.2



General Specification	JED-354-1, Size ISO 14105 LP	Copyright WABCO®	WABCO
Further Technical Data	480 020 026 0	Doc. Code: 035	CENTRAL BRAKE UNIT
Doc. Code: 035	Sheet 1 To 4E	2018-08-07	Karczewicz
Version	General Tolerances: ISO 2013	2018-08-10	Smorz
Class	1	3.5	1:1
File	0.5 1.0 1.5 2.0	16	h2
Medium	1.0 2.0 3.0 4.0	A 0	CFE0
Course	2.0 3.5 5.0 6.5	176547	2x
Tapped holes acc.	ISO 4039 / JED-152	480 020 026 0	005 EN 1/2
Tolerance class	ISO 2013	6980	2019-10-15

1	2	3	4	5	6	7	8	9	10	11	12	13	14	15	16
---	---	---	---	---	---	---	---	---	----	----	----	----	----	----	----

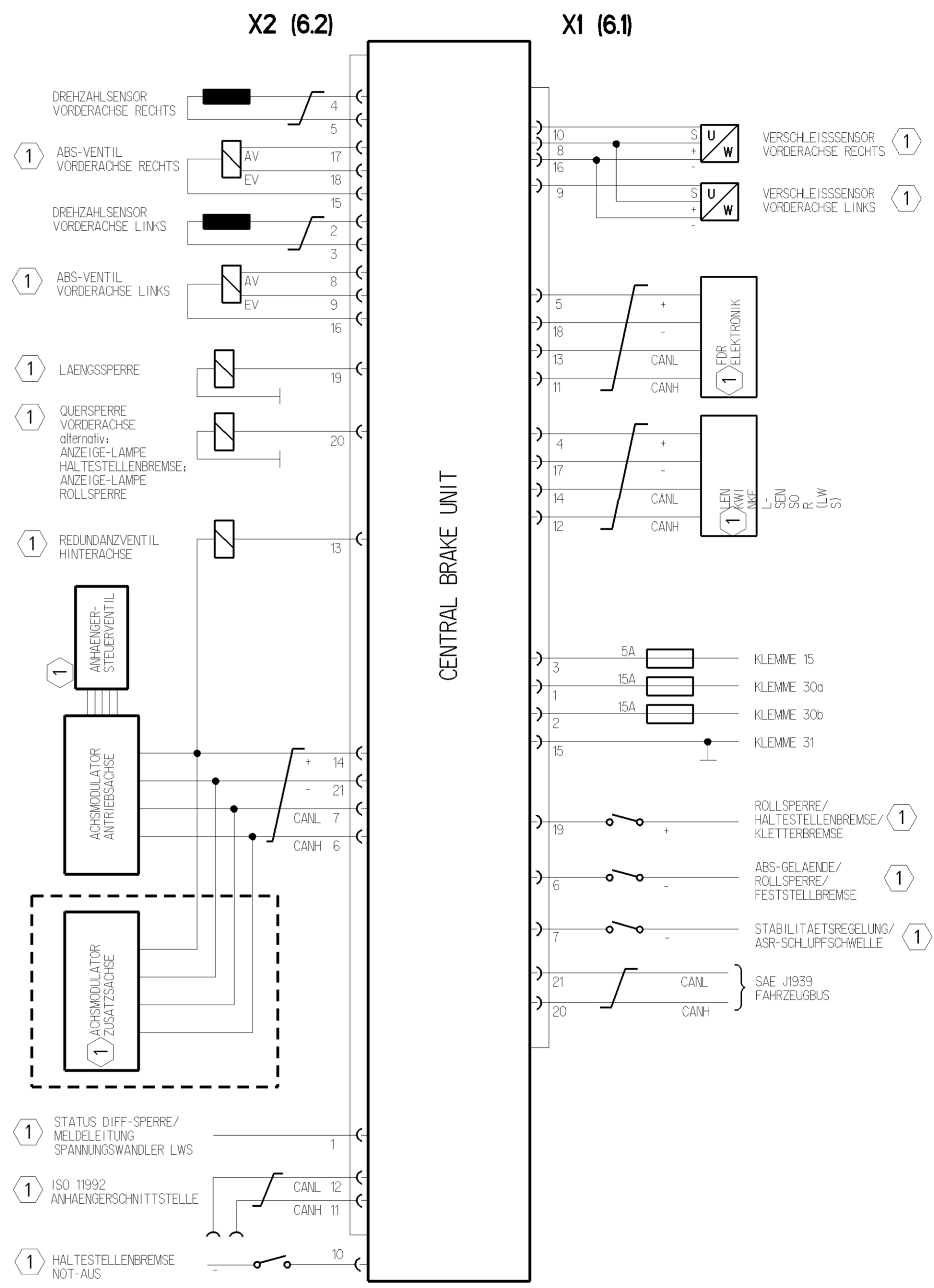
A	DEVICE NUMBER	SYSTEM	BLOCK DIAGRAM	SOFTWARE VERSION	CUSTOMER NO.	REMARKS
	480 020 026 0	4S/3M / 4S/4M / 6S/6M	C	HA60ACAB	81.52130-6310	



X2 / 6.2

2:1

X1 / 6.1



BLOCK DIAGRAM C

1 OPTIONAL, WILL BE FIXED BY PARAMETER SETTING

--- NUR 6S/6M

Non e permesso copiare o riprodurre questo documento, ne utilizzare i contenuti a meno che non sia espressamente autorizzato dal titolare dei diritti di brevetto o marchi. Copia di questo documento e' vietata senza permesso scritto dalla WABCO. Toute communication ou reproduction de ce document, sans autorisation de la WABCO, est formellement interdite. Toute utilisation non autorisée des contenus de ce document est formellement interdite. All rights reserved. No part of this document may be reproduced or transmitted in any form or by any means electronic or mechanical, including photocopying and recording, or by any information storage or retrieval system, without prior written permission from WABCO.

General Specifications: JED-334-0 Size: ISO 14405 LP		Copyright WABCO®	
Further Technical Data: 480 020 026 0		Date	Signature
Doc. Code: 035	Sheet: 1 To 46	2018-08-07	Kunciewicz
General Tolerances JED-261		2018-08-10	Smardz
Range of Nominal Dimensions (± mm)		Expert	
Class	1) ≤ 50 > 50 > 180 > 400	Mass	Scale
Fine	0,5 1,0 1,5 2,0	3,5 kg	1:1
Medium	1,0 2,0 3,0 4,0	Size	CAD System
Coarse	2,0 3,5 5,0 6,5	A 1	Pro/E
Tapped Holes acc. ISO 4039 / JED-152		Material No.	
1) Tolerance Class Applied: Crossmarked		480 020 026 0	
		ECN No.	Revision
		176547	A
		Techn. Resp.	6880
		Date of first issue	2003-09-20
		Doc. Code	Language
		005	EN
		Sheet	2/2

WABCO
CENTRAL BRAKE UNIT

100mm