

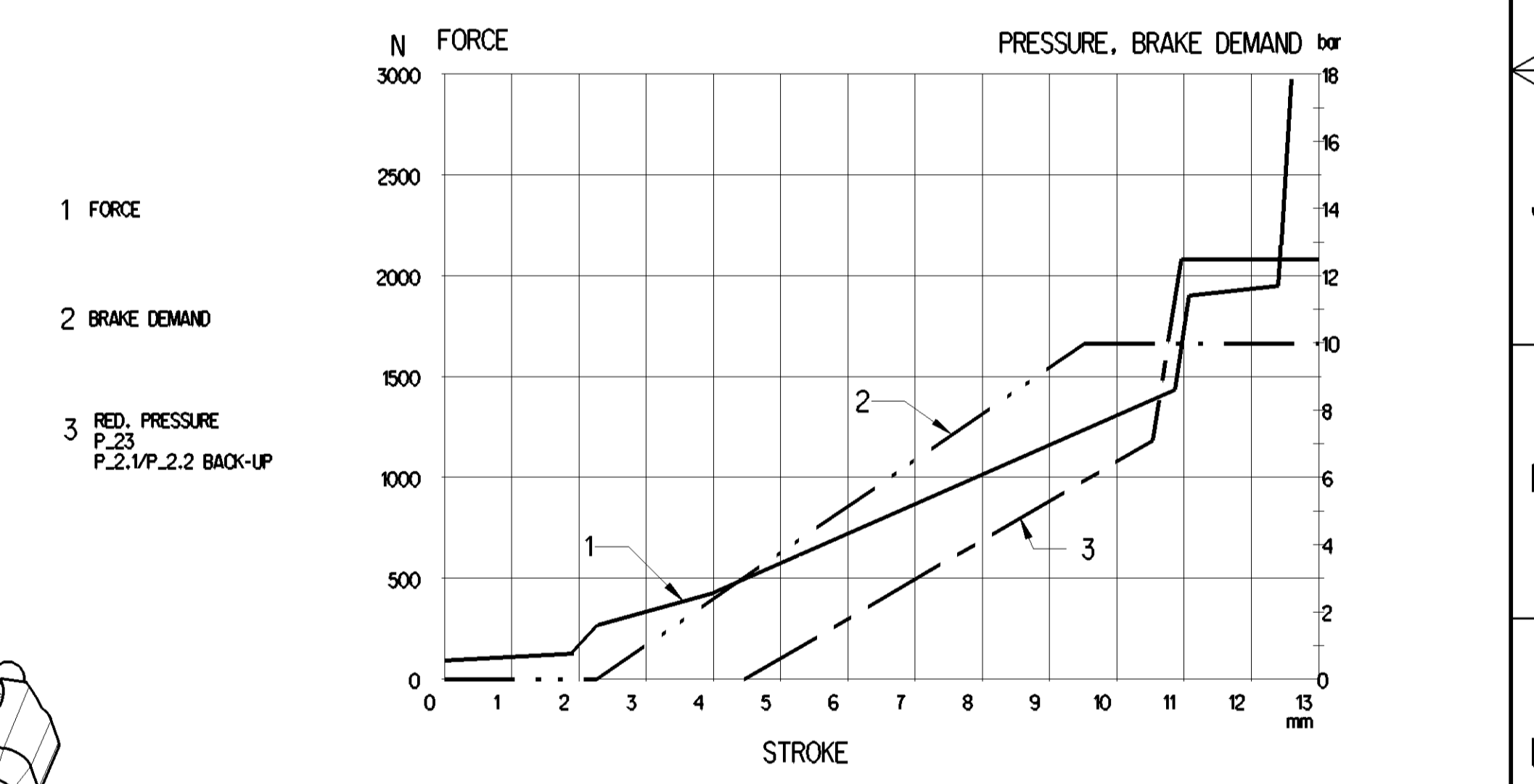
SAFETY CHARACTERISTICS	3
SIGNIFICANT CHARACTERISTICS	0
CUSTOMER INTERFACE	0

WORKING MEDIUM	AIR (CONTAINING WATER, OIL AND ALCOHOL)	
AMBIENT ENVIRONMENT	AIR (CONTAINING WATER, SALT, DUST AND OIL)	
THERMAL RANGE OF APPLICATION UNDER NORMAL AMBIANT CONDITIONS	-40°...+80°C	
SHORT TERM RESISTANCE TO HEAT	MAX. 110°C AT 1h WITHOUT FUNCTION	
CURRENT CONSUMPTION	0.5...11A	
MAX. WORKING PRESSURE (SUPPLY)	Pe=12.7 bar	
MAX. PERMISSIBLE WORKING PRESSURE	Pe= 13 bar TEMPORARILY	
VOLTAGE TERMINAL	6.1 / 6.2 : 24 ⁺⁸ ₋₈ V	
DEGREE OF PROTECTION ACCORDING TO IEC 529	COMPLETE DEVICE WITH SOCKET IP 6K 6K, IP 6K 9K	
PROTECTION CLASS ACC. TO VDE 0580	III	
AT FAILURE EBS	NECESSARY STROKE S	12mm
	NECESSARY FORCE F	2500 N
SOCKET	858 000 834 4	

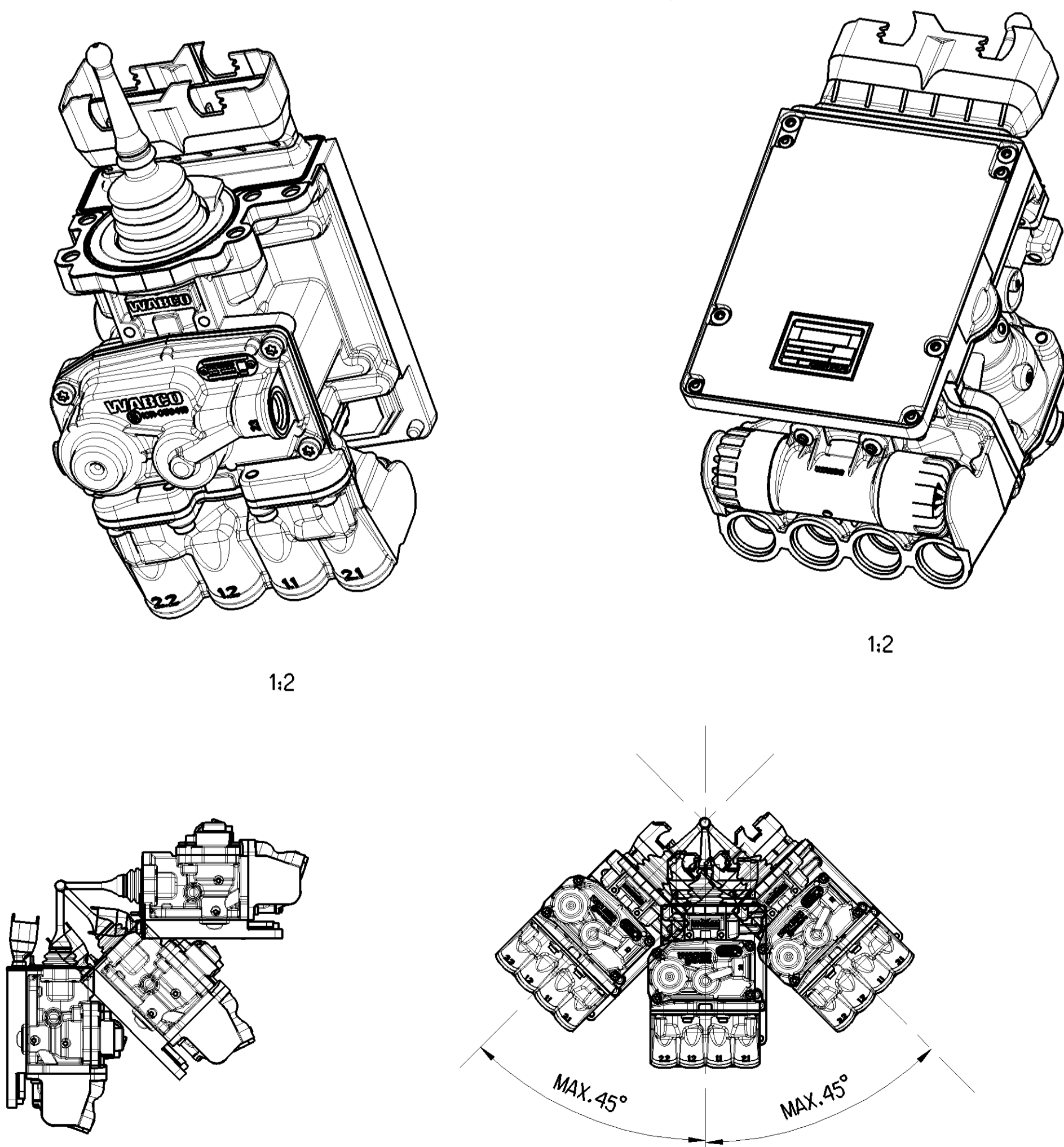
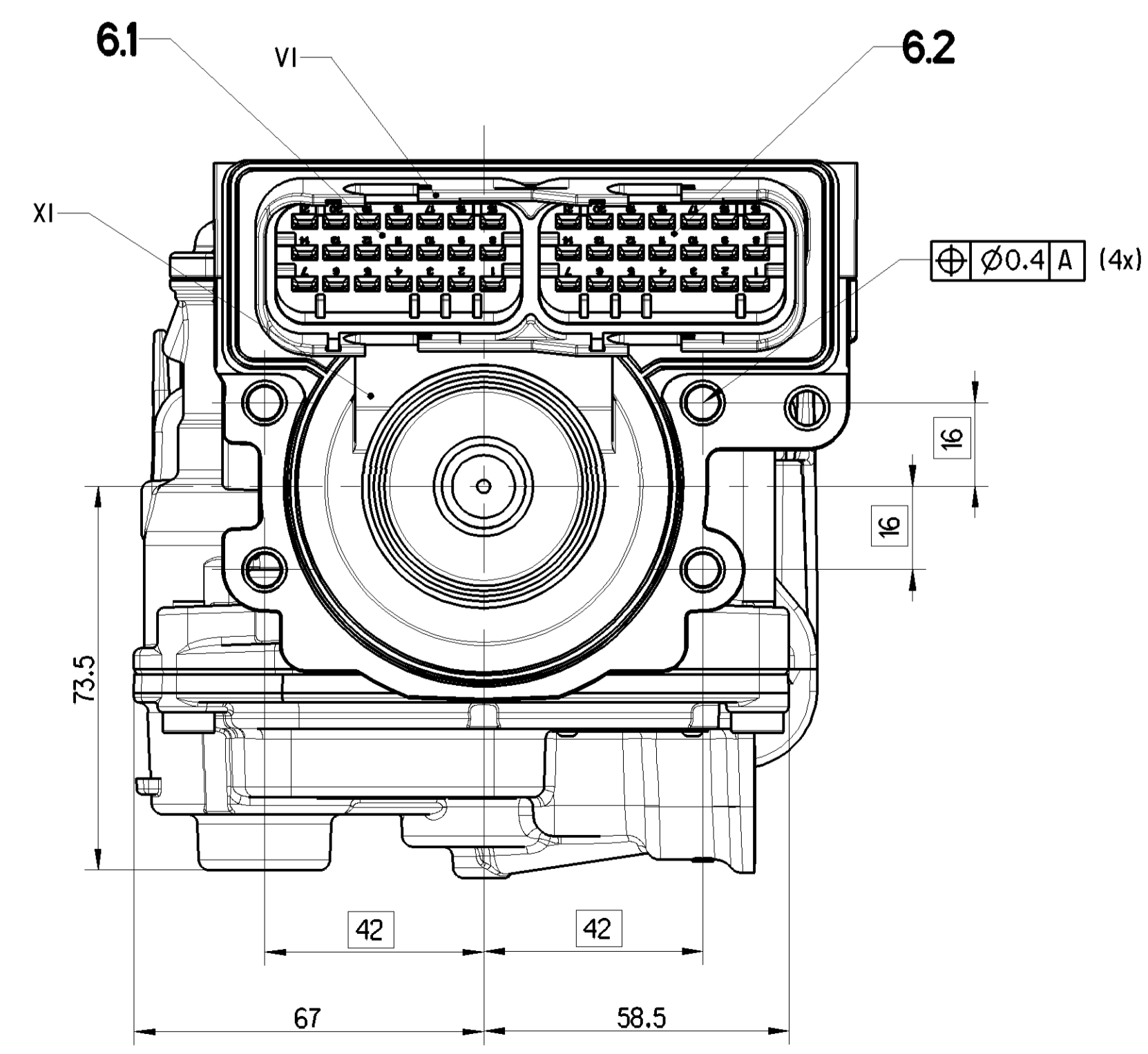
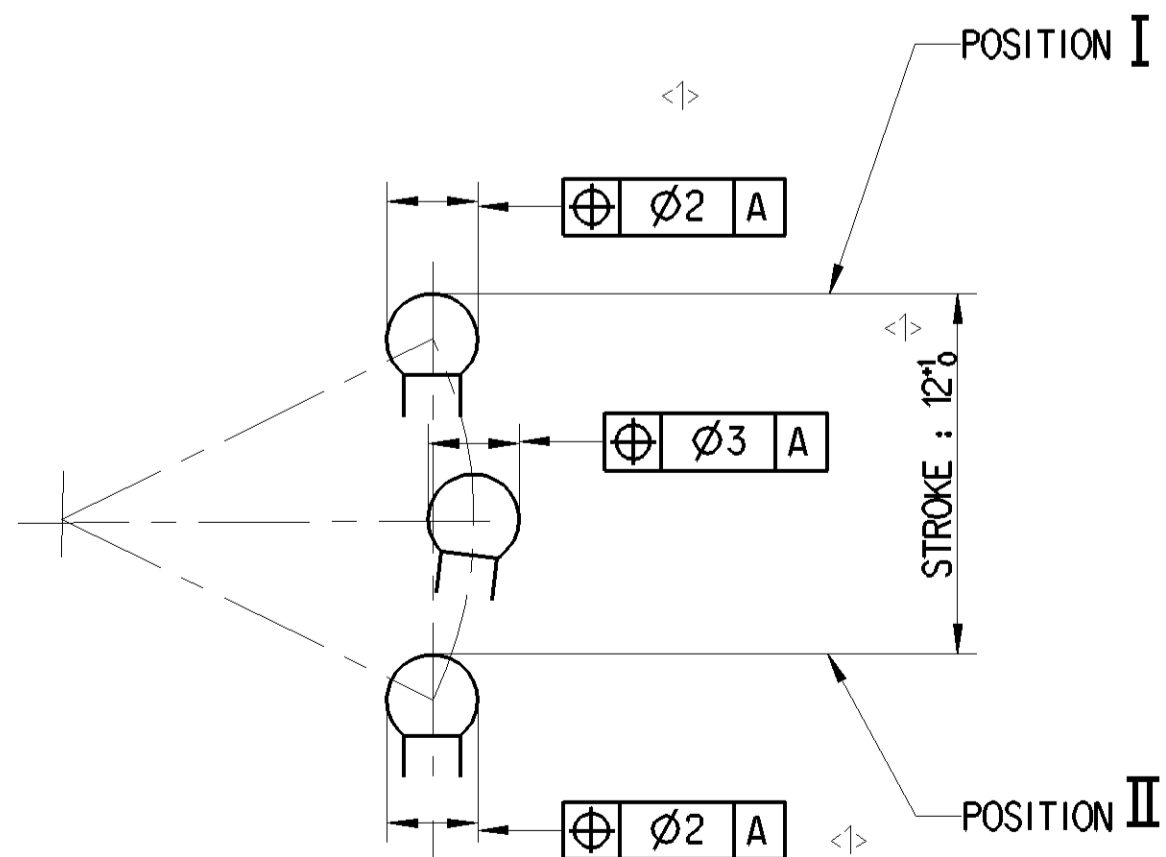
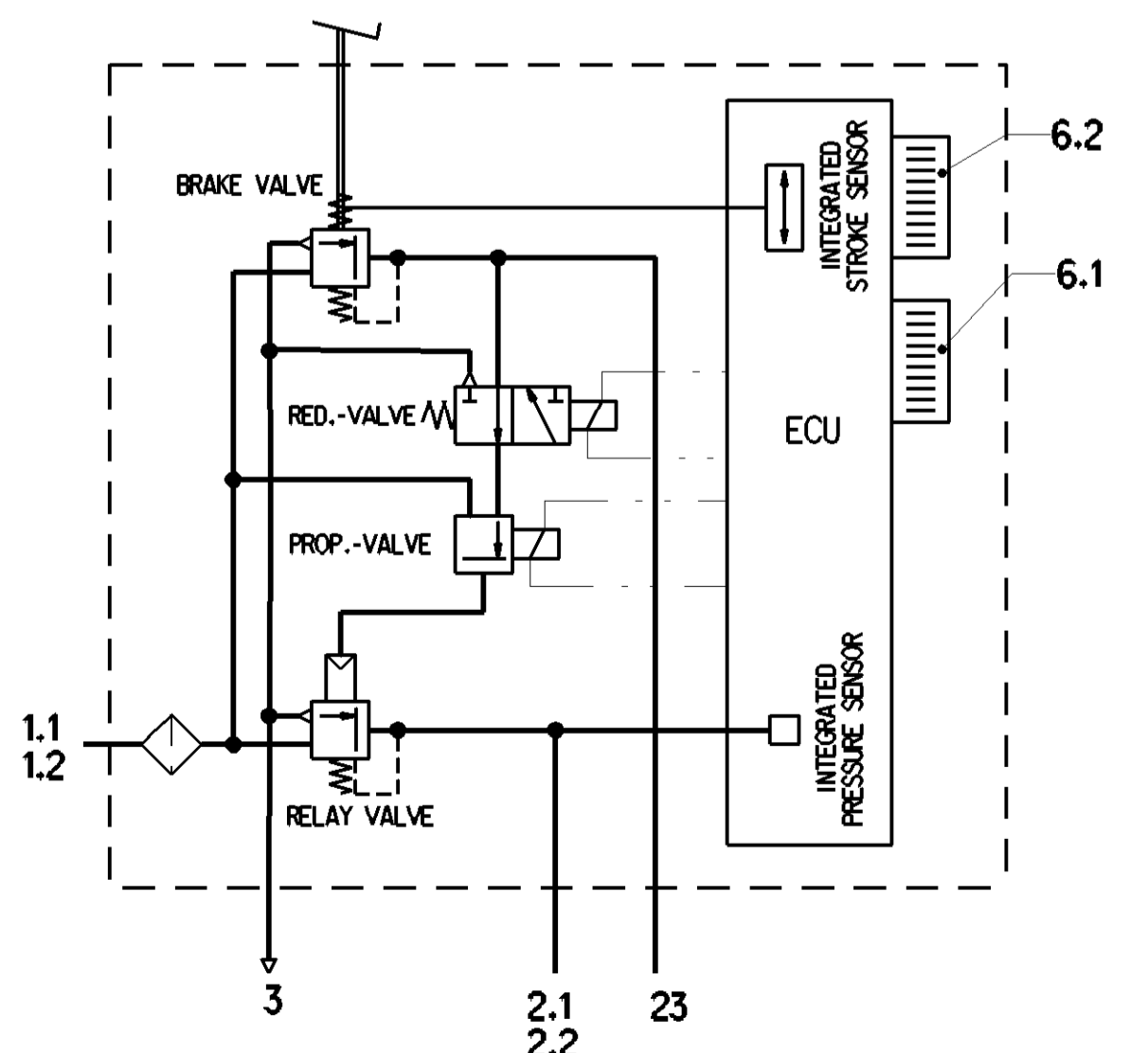
INSPECTION MARK	10R - 056419	IDENTIFICATION NUMBER
MANUFACTURING PLANT	JED-225	CUSTOMER NO.
DATE OF MANUFACTURE (wyyy)	JED-226	DATA CODING

SENSITIVE ELECTRONIC DEVICE, TO BE HANDLED WITH THE UTMOST CARE
DO NOT TOUCH CONNECTOR CONTACTS AND RECEPTACLE CONTACTS
FOR FURTHER TECHNICAL DATA SEE PRODUCT SPECIFICATION
TENSION FREE MOUNTING OF THE LINES

FOR THREAD PERMISSIBLE	①	②	③	MATERIAL / SURFACE PROTECTION
TORQUE ACCORDING TO JED-366	MAX. 34 Nm	MAX. 53 Nm	MAX. 27 Nm	I JED-626-0 / JED-739-4 II JED-612 III JED-029M1 / JED-259 IV JED-354-1 V JED-352-1
				VI CuFe 2P (R420) / Ni/Sn (Sn99.9) 3+3µm VII JED-077-1 / JED-007-1 VIII JED-483-2 + JED-484 IX JED-058M0
				X JED-051M4 / JED-739-3 XI ZYTEL HTN62635HSL NC010
				SONSTIGE TECHNISCHE INFORMATIONEN 480 020 000 0 DOC.035



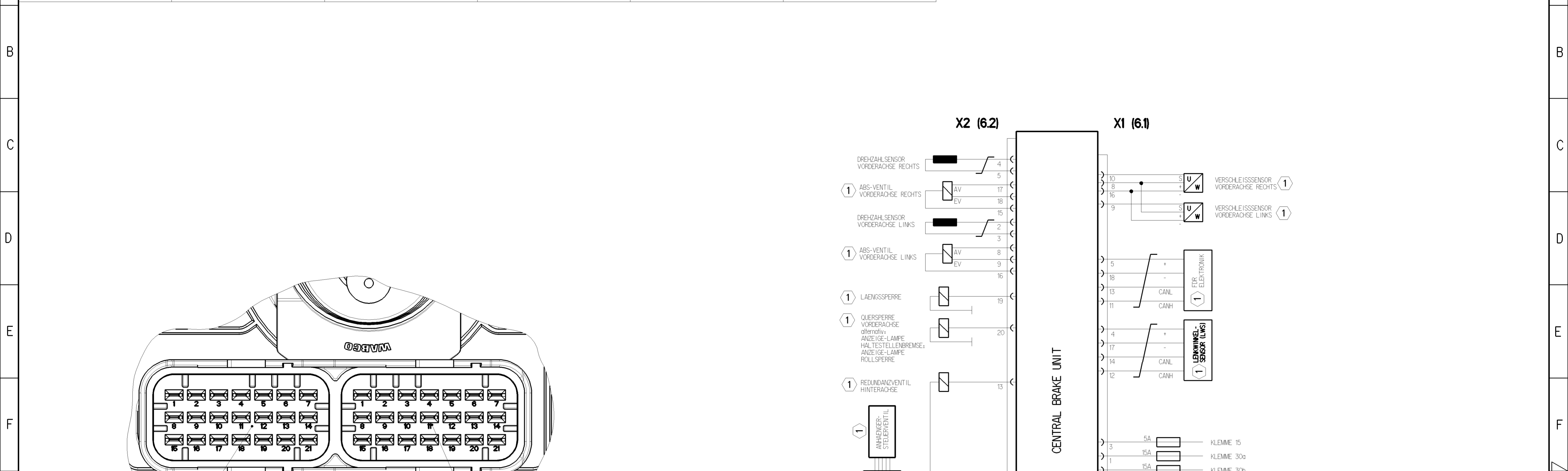
- 11/12 SUPPLY
- 21/22 DELIVERY
- 23 REDUNDANCY
- 3 EXHAUST
- 6.1
- 6.2 ELECTRICAL CONTROL



ADMISSIBLE INSTALLATION POSITION
1:5

General Specification: JED-354-1, Size 154105 LP	Copyright WABCO	WABCO
Further Technical Data: 480 020 028 0	Doc. Code: 035	CENTRAL BRAKE UNIT
Class: 1	Size: 11	480 020 028 0
Medium: 3.5	Size: 12	005 EN 1/2
Course: 2.0	Size: 2x	6990

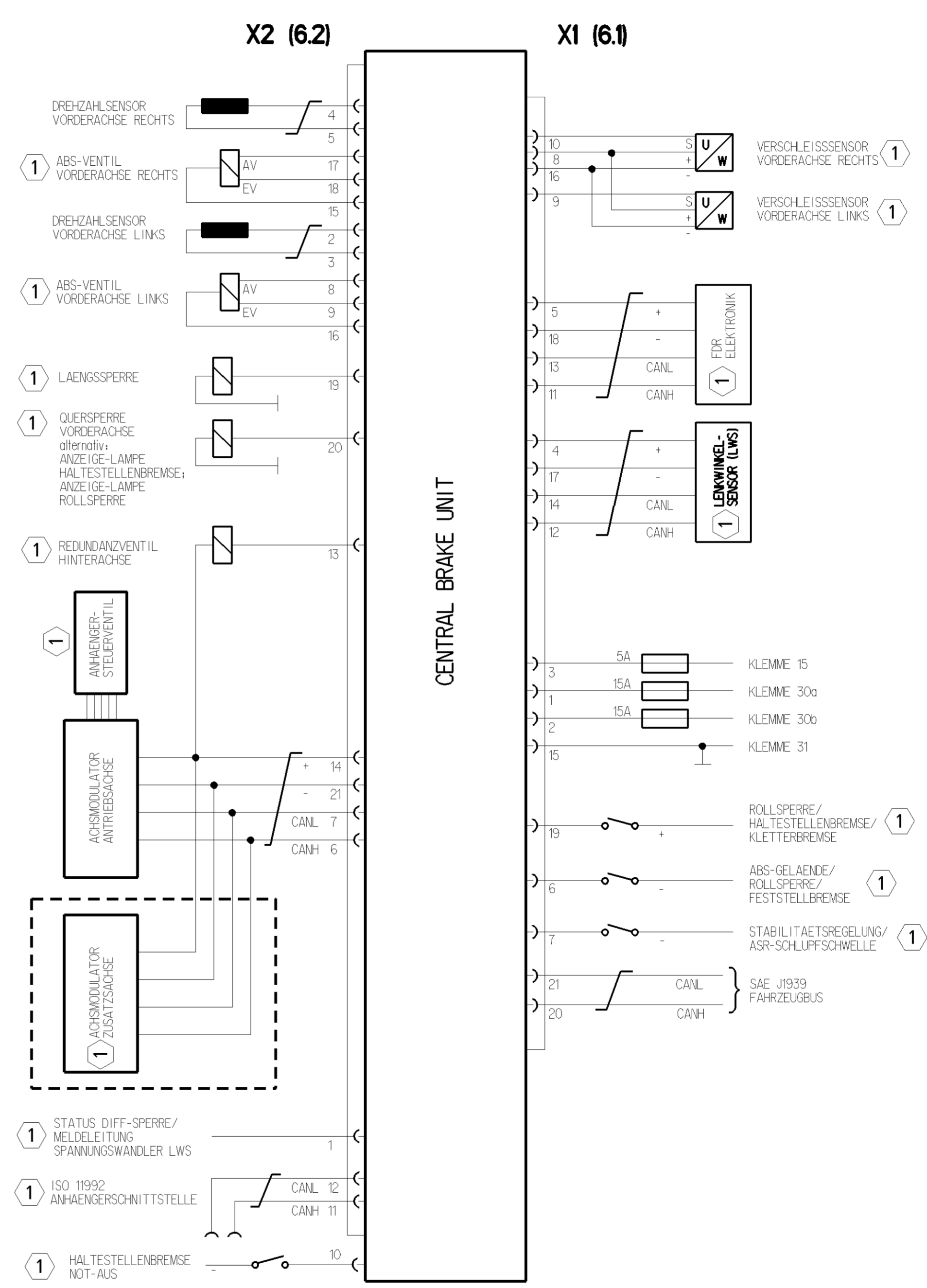
A	DEVICE NUMBER	SYSTEM	BLOCK DIAGRAM	SOFTWARE VERSION	CUSTOMER NO.	REMARKS
	480 020 028 0	4S/3M / 4S/4M / 6S/6M	C	HA65ACAB	81.52130-6312	



X2 / 6.2

X1 / 6.1

2:1



BLOCK DIAGRAM C

① OPTIONAL, WILL BE FIXED BY PARAMETER SETTING

--- ONLY 6S/6M

Non e permesso copiare o riprodurre questo documento, né utilizzare il contenuto a fini di lucro o per scopi non autorizzati. È vietata espressamente la ristampa o l'uso non autorizzato di questo documento. Toute réimpression ou utilisation non autorisée sans la permission écrite de la WABCO est formellement interdite. Toute réimpression ou utilisation non autorisée sans la permission écrite de la WABCO est formellement interdite.

General Specification: JED-334-1, Size ISO 14405 LP		Copyright WABCO®	
Further Technical Data: 480 020 028 0		Date: 2020-03-04	Signature: Zeleni
Doc. Code: 035	Sheet: 1 To 46	Checked: 2020-03-09	Expert: Couppes
General Tolerances JED-261		Smardz	
Range of Nominal Dimensions (± mm)			
Class	1)	< 50	> 180
Fine		± 0.5	± 1.0
Medium		± 1.0	± 2.0
Coarse		± 2.0	± 3.5
Tapped Holes acc. ISO 4039 / JED-152		1) Tolerance Class Applied: Crossmarked	
Mass	3.5 kg	Scale	1:1
Size	A 1	Material No.	480 020 028 0
ECR-No.	503577	Revision	- C
Date of first issue:	2015-07-15	Doc. Code	005
Language	EN	Language	EN
Sheet	2/2	Replacement for	6880