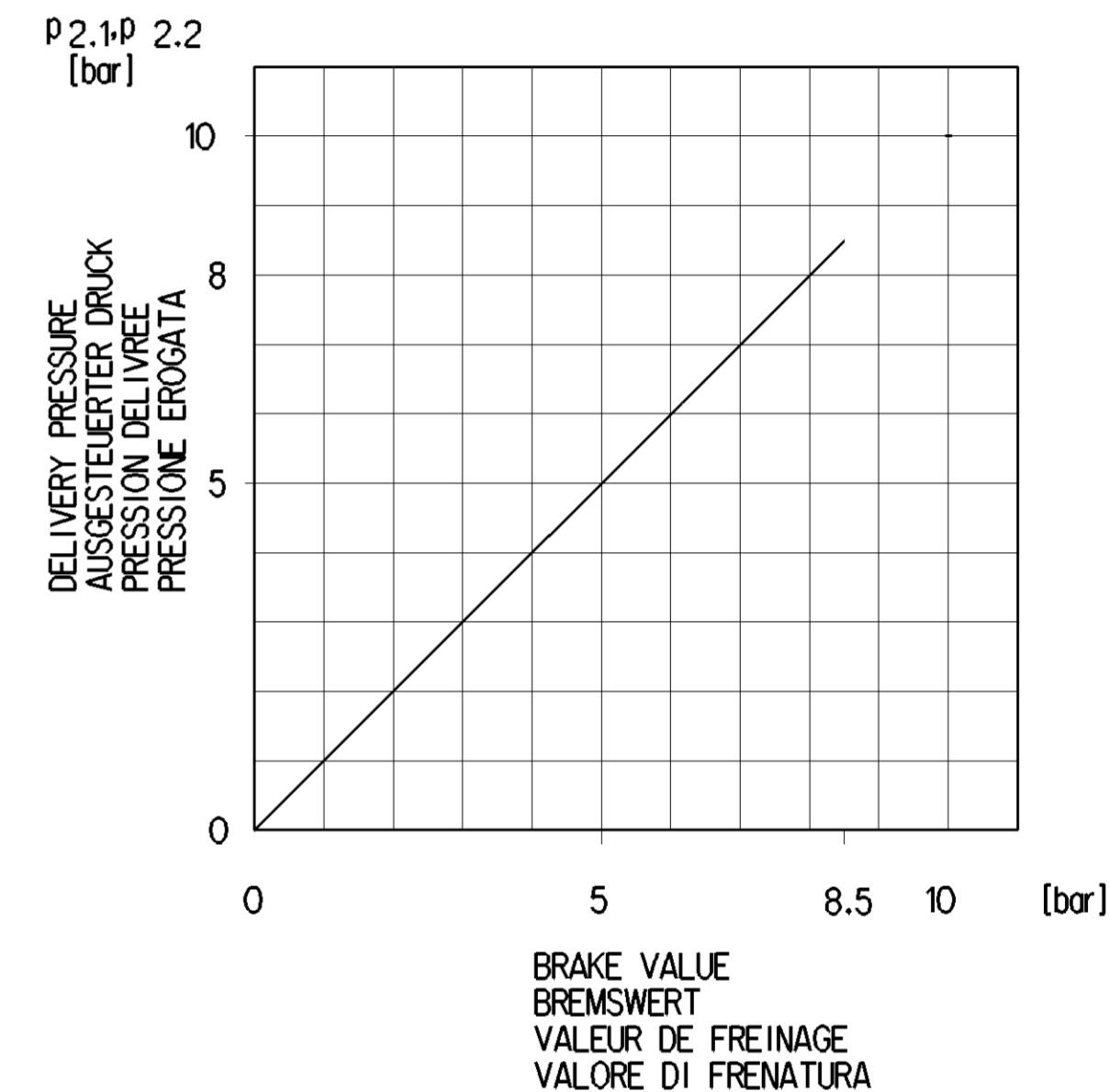


Tutti i diritti sono riservati. È vietata espressamente la ristampa o l'uso non autorizzato senza permesso scritto dalla WABCO. Tutti i diritti sono riservati. Toute réimpression ou utilisation non autorisée sans la permission écrite de la WABCO est formellement interdite. Toute réimpression ou utilisation non autorisée sans la permission écrite de la WABCO est formellement interdite. All rights reserved. No part of this document may be reproduced, stored in a retrieval system, or transmitted, in any form or by any means, electronic, mechanical, photocopying, recording, or otherwise, without the prior written permission of WABCO.

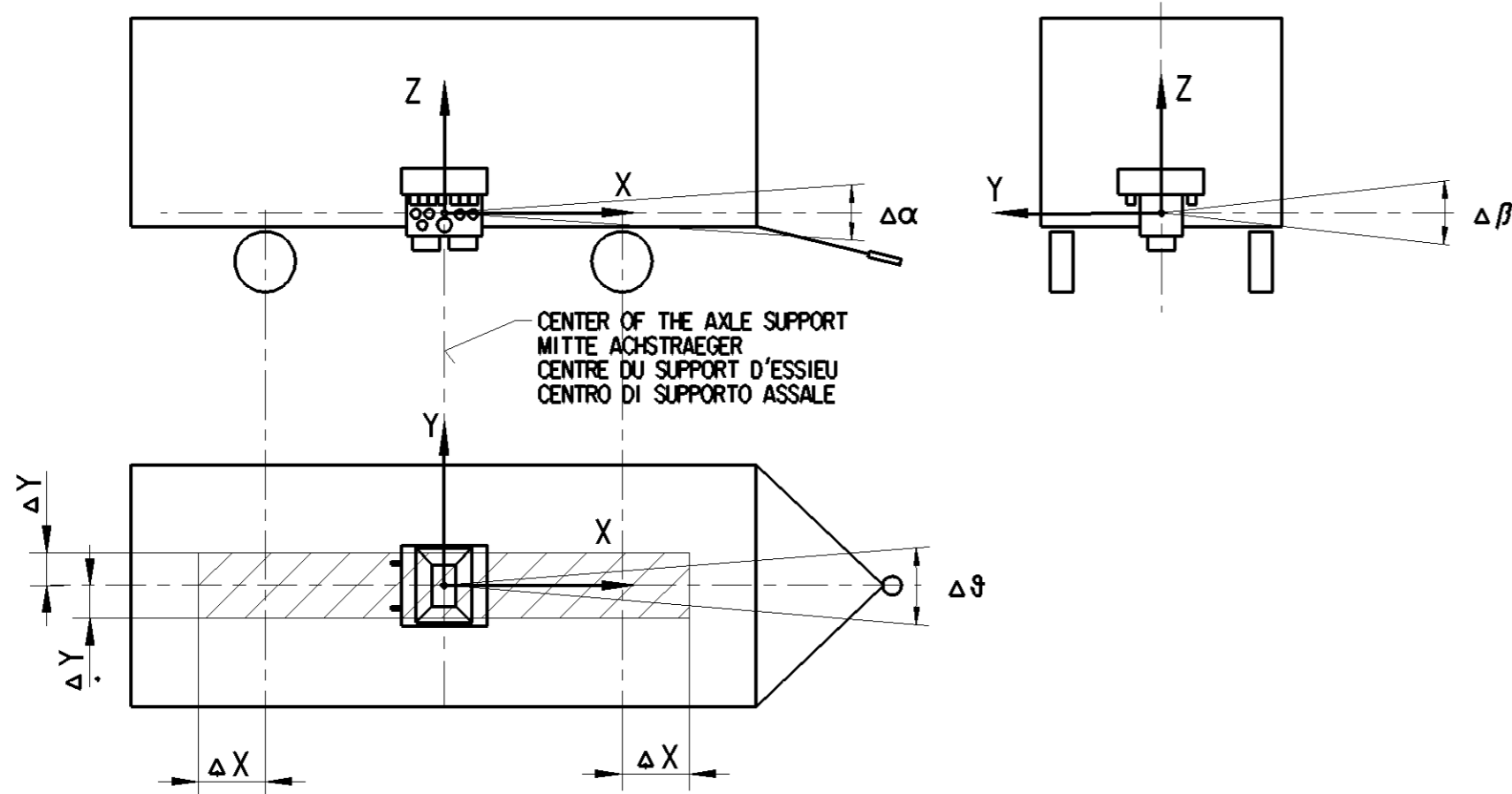
SAFETY HINTS FOR ELECTROSTATIC PAINTING AND WELDING WORK: SICHERHEITSHINWEISE FÜR ELEKTROSTATISCHES LACKIEREN UND SCHWEISSARBEITEN: CONSEILS DE SÉCURITÉ DE TRAVAUX DE PEINTURE ÉLECTROSTATIQUE ET DE SOUDURE: SUGGERIMENTI DI SICUREZZA PER LAVORI DI SALDATURA O VERNICIATURA	461 513 029 0, DOC-CODE 035 480 102 089 0, DOC-CODE 035												
FURTHER TECHNICAL DATA SEE PRODUCT SPECIFICATION WEITERE TECHNISCHE DATEN SIEHE PRODUKTSPEZIFIKATION POUR AUTRES DONNÉES TECHNIQUES VOIR SPECIFICATION PRODUIT PER ULTERIORI DATI TECNICI VEDERE SPECIFICA DI PRODOTTO													
WORKING MEDIUM: ARBEITSMEDIUM: FLUIDE D'UTILISATION: FLUIDO DI ESERCIZIO:	480 102 089 0, DOC-CODE 035												
WORKING ENVIRONMENT: UMGEBUNGSMEDIUM: FLUIDE AMBIANTE: FLUIDO AMBIENTE:	AIR WITH TRACES OF WATER, SALT, DUST AND ENGINE OIL LUFT MIT SPUREN VON WASSER, SALZ, STAUB UND MOTORÖL AIR AVEC TRACES D'EAU, DE SEL, DE POUSSIERE ET D'HUILE MOTEUR ARIA CONTRACCIE DI ACQUA, SALE, POLVERO ED OLIO MOTORE												
THERMAL RANGE OF APPLICATION UNDER NORMAL ENVIRONMENTAL CONDITIONS: THERMISCHER ANWENDUNGSBEREICH UNTER NORMALEN UMGEBUNGSBEDINGUNGEN: GAMME D'APPLICATION THERMIQUE DANS CONDITIONS D'ENVIRONNEMENT NORMALES: CAMPO TERMICO D'APPLICAZIONE NELLE NORMALI CONDIZIONI AMBIENTALI:	-40 °C ... +65 °C SEE PRODUCT SPECIFICATION SIEHE PRODUKTSPEZIFIKATION VOIR SPECIFICATION DU PRODUIT VEDERE SPECIFICA DI PRODOTTO												
SHORT-TIME RESISTANCE TO HEAT: KURZZEITIGE WÄRMESTÄNDIGKEIT: RÉSISTANCE THERMIQUE TEMPORAIRE: RESISTENZA TERMICA PER BREVE PERIODO:	MAX. +110 °C FOR 1 h WITHOUT FUNCTION OHNE FUNKTION SANS FONCTION SENZA FUNZIONE												
WORKING PRESSURE (SUPPLY): BETRIEBSDRUCK (VORRAT): PRESSION DE SERVICE (ALIMENTATION): PRESSIONE DI ESERCIZIO (ALIMENTAZIONE):	p ₁ = 8.5 bar												
MAX. PERMISSIBLE WORKING PRESSURE (SUPPLY): MAX. ZULÄSSIGER BETRIEBSDRUCK (VORRAT): PRESSION DE SERVICE (ALIMENTATION) MAX. ADMISSIBLE: PRESSIONE DI ESERCIZIO (ALIMENTAZIONE) MAX. AMMISSIBILE:	p ₁ MAX. = 9.5 bar												
CHARGING PRESSURE: LIEBERSTROMDRUCK: PRESSION DE BARAGE: PRESSIONE DI PRESA:	p ₁ = 6,2 ^{+0.1} _{-0.2} bar												
CLOSING PRESSURE: SCHLIESSDRUCK: PRESSION DE FERMETURE: PRESSIONE DI CHIUSURA:	p ₁ = min 5,0 bar												
MIN. FLOW PASSAGE / NOMINAL DIAMETER: MIN. DURCHFLOSSÖFFNUNG / NENNWEITE: MIN. ORIFICE CALIBRE / DIAMÈTRE NOMINALE: MIN. PASSAGGIO LIBERO / DIAMETRO NOMINALE:	<table border="1"> <tr> <td>PORT: ANSCHLUSS: ORIFICE: ORIFIZIO:</td> <td>1 / 2.1 / 2.2 / 4.2</td> <td> 113 MM² / DN 12</td> </tr> <tr> <td>PORT: ANSCHLUSS: ORIFICE: ORIFIZIO:</td> <td>1.1 / 2.4</td> <td> 20,2 MM² / DN 8</td> </tr> <tr> <td>PORT: ANSCHLUSS: ORIFICE: ORIFIZIO:</td> <td>2.3</td> <td> 28,3 MM² / DN 6</td> </tr> <tr> <td>PORT: ANSCHLUSS: ORIFICE: ORIFIZIO:</td> <td>4 / 5</td> <td> 0,79 MM² / DN 1</td> </tr> </table>	PORT: ANSCHLUSS: ORIFICE: ORIFIZIO:	1 / 2.1 / 2.2 / 4.2	113 MM ² / DN 12	PORT: ANSCHLUSS: ORIFICE: ORIFIZIO:	1.1 / 2.4	20,2 MM ² / DN 8	PORT: ANSCHLUSS: ORIFICE: ORIFIZIO:	2.3	28,3 MM ² / DN 6	PORT: ANSCHLUSS: ORIFICE: ORIFIZIO:	4 / 5	0,79 MM ² / DN 1
PORT: ANSCHLUSS: ORIFICE: ORIFIZIO:	1 / 2.1 / 2.2 / 4.2	113 MM ² / DN 12											
PORT: ANSCHLUSS: ORIFICE: ORIFIZIO:	1.1 / 2.4	20,2 MM ² / DN 8											
PORT: ANSCHLUSS: ORIFICE: ORIFIZIO:	2.3	28,3 MM ² / DN 6											
PORT: ANSCHLUSS: ORIFICE: ORIFIZIO:	4 / 5	0,79 MM ² / DN 1											
ELECTRONIC CONTROL UNIT: ELEKTRONIK: ELECTRONIQUE: CENTRALINA ELETTRONICA:	PREMIUM												
MAX. SYSTEM: MAX. SYSTEM: MAX. SYSTEME: MAX. SISTEMA:	4S / 3M												
VOLTAGE: ELEKTRISCHE SPANNUNG: TENSION ELECTRIQUE: TENSIONE ELETTRICA:	TERMINAL: ANSCHLUSS: BORNE: TERMINALE: X2 24 ±6 V												
TYPE OF PROTECTION ACC. TO: SCHUTZART NACH: MODE DE PROTECTION SUIVANT: TIPO DI PROTEZIONE SECONDO:	ISO 16750-F-Z-C-D-D IP6K9K COMPLETE DEVICE WITH MOUNTED PLUGS KOMPLETTES GERÄT MIT MONTIERTEN STECKERN APPAREIL COMPLET AVEC LES FICHES MONTES APPARECCHIO COMPLETO CON SPINE MONTATO												
INSTALLATION INSTRUCTION: INSTALLATIONSHINWEIS: INDICATION POUR L'INSTALLATION: INDICAZIONE DI MONTAGGIO:	AFTER INITIAL INSTALLATION A COMMISSIONING WITH DIAGNOSTIC SOFTWARE IS REQUIRED NACH DER ERSTINSTALLATION IST EINE INBETRIEBNAHME MIT DER DIAGNOSESOFTWARE ERFORDERLICH APRES L'INSTALLATION INITIALE, LE MISE EN SERVICE AVEC LOGICIEL DE DIAGNOSTIC EST REQUIS FACENDO SEGUITO A L'INSTALLAZIONE INIZIALE, L'IMMISSIONE IN SERVIZIO A MODULO SOFTWARE DIAGNOSI ESSERE NECESSARIO												
EEC APPROVAL MARK: EG-GENEHMIGUNGSZEICHEN: MARQUE D'HOMOLOGATION DE LA CEE: MARCHIO D'OMOLOGAZIONE DEL EEC:	APPROVAL NUMBER 03 4868 ACCORDING TO DIRECTIVE 72/245/EEC LAST UPDATE BY DIRECTIVE 2006/28/EG, AND ECE REGULATION NO. 10 GENEHMIGUNGSNUMMER 03 4868 NACH RICHTLINIE 72/245/EWG ZULETZT GEÄNDERT DURCH RICHTLINIE 2006/28/EG, UND ECE RICHTLINIE NR. 10 NUMERO D'HOMOLOGAZIONE 03 4868 SELON DIRECTIVE 72/245/EWG DERNIERE MODIFICATION SELON DIRECTIVE 2006/28/EG, ET REGLEMENT ECE NO.10 NUMERO D'OMOLOGAZIONE 03 4868 A SECONDO DI DIRETTIVA 72/245/EWG MODIFICAZIONE ULTIMA PER DIRETTIVA 2006/28/EG, E REGOLAMENTO ECE NO. 10												
LAYING OF THE CABLES ACCORDING TO INSTALLATION INSTRUCTION: VERLEGUNG DER ELEKTRISCHEN LEITUNGEN GEMÄSS INSTALLATIONSVORSCHRIFT: POSER LES CABLES SUIVANT L'INDICATION POUR L'INSTALLATION: POSARE I CAVI SECONDO INDICAZIONE DI MONTAGGIO:	449 000 000 0 DOC-CODE 611												
HANDLING, STORAGE, PACKAGING, PRESERVATION AND DELIVERY: HANDHABUNG, LAGERUNG, VERPACKUNG, KONSERVIERUNG UND VERSAND: MAINTIEN, STOCKAGE, CONDITIONNEMENT, PRESERVATION ET LIVRAISON: MOVIMENTAZIONE, IMMAGAZZINAMENTO, IMBALLAGGIO, CONSERVAZIONE E CONSEGNA:	480 102 089 0 DOC-CODE 035												
SAFETY HINTS FOR ELECTROSTATIC PAINTING AND WELDING WORK: SICHERHEITSHINWEISE FÜR ELEKTROSTATISCHES LACKIEREN UND SCHWEISSARBEITEN: CONSEILS DE SÉCURITÉ DE TRAVAUX DE PEINTURE ÉLECTROSTATIQUE ET DE SOUDURE: SUGGERIMENTI DI SICUREZZA PER LAVORI DI SALDATURA O VERNICIATURA:	480 102 089 0 DOC-CODE 035												



General Specification: ISO 8015, JED-334-1, Size ISO 14405 LP		Copyright WABCO®	
Further Technical Data:		Date: 2022-07-13	Signature: Hemsdorf
Doc. Code:	Sheet: To	Checked: 2022-07-13	Stephan
General Tolerances: JED-261			
Range of nominal dimensions in mm			
Class	1)	≤ 50	> 50 < 180
		±0.5	±1
		±1	±1.5
		±2	±3
		±3	±4
		±5	±6.5
		±8	±10
		±12	±15
		±18	±25
		±25	±35
		±35	±50
		±50	±70
		±70	±100
		±100	±150
		±150	±200
		±200	±300
		±300	±400
		±400	±500
		±500	±700
		±700	±1000
		±1000	±1500
		±1500	±2000
		±2000	±3000
		±3000	±4000
		±4000	±5000
		±5000	±7000
		±7000	±10000
		±10000	±15000
		±15000	±20000
		±20000	±30000
		±30000	±40000
		±40000	±50000
		±50000	±70000
		±70000	±100000
		±100000	±150000
		±150000	±200000
		±200000	±300000
		±300000	±400000
		±400000	±500000
		±500000	±700000
		±700000	±1000000
		±1000000	±1500000
		±1500000	±2000000
		±2000000	±3000000
		±3000000	±4000000
		±4000000	±5000000
		±5000000	±7000000
		±7000000	±10000000
		±10000000	±15000000
		±15000000	±20000000
		±20000000	±30000000
		±30000000	±40000000
		±40000000	±50000000
		±50000000	±70000000
		±70000000	±100000000
		±100000000	±150000000
		±150000000	±200000000
		±200000000	±300000000
		±300000000	±400000000
		±400000000	±500000000
		±500000000	±700000000
		±700000000	±1000000000
		±1000000000	±1500000000
		±1500000000	±2000000000
		±2000000000	±3000000000
		±3000000000	±4000000000
		±4000000000	±5000000000
		±5000000000	±7000000000
		±7000000000	±10000000000
		±10000000000	±15000000000
		±15000000000	±20000000000
		±20000000000	±30000000000
		±30000000000	±40000000000
		±40000000000	±50000000000
		±50000000000	±70000000000
		±70000000000	±100000000000
		±100000000000	±150000000000
		±150000000000	±200000000000
		±200000000000	±300000000000
		±300000000000	±400000000000
		±400000000000	±500000000000
		±500000000000	±700000000000
		±700000000000	±1000000000000
		±1000000000000	±1500000000000
		±1500000000000	±2000000000000
		±2000000000000	±3000000000000
		±3000000000000	±4000000000000
		±4000000000000	±5000000000000
		±5000000000000	±7000000000000
		±7000000000000	±10000000000000
		±10000000000000	±15000000000000
		±15000000000000	±20000000000000
		±20000000000000	±30000000000000
		±30000000000000	±40000000000000
		±40000000000000	±50000000000000
		±50000000000000	±70000000000000
		±70000000000000	±100000000000000
		±100000000000000	±150000000000000
		±150000000000000	±200000000000000
		±200000000000000	±300000000000000
		±300000000000000	±400000000000000
		±400000000000000	±500000000000000
		±500000000000000	±700000000000000
		±700000000000000	±1000000000000000
		±1000000000000000	±1500000000000000
		±1500000000000000	±2000000000000000
		±2000000000000000	±3000000000000000
		±3000000000000000	±4000000000000000
		±4000000000000000	±5000000000000000
		±5000000000000000	±7000000000000000
		±7000000000000000	±10000000000000000
		±10000000000000000	±15000000000000000
		±15000000000000000	±20000000000000000
		±20000000000000000	±30000000000000000
		±30000000000000000	±40000000000000000
		±40000000000000000	±50000000000000000
		±50000000000000000	±70000000000000000
		±70000000000000000	±100000000000000000
		±100000000000000000	±150000000000000000
		±150000000000000000	±200000000000000000
		±200000000000000000	±300000000000000000
		±300000000000000000	±400000000000000000
		±400000000000000000	±500000000000000000
		±500000000000000000	±700000000000000000
		±700000000000000000	±1000000000000000000
		±1000000000000000000	±1500000000000000000
		±1500000000000000000	±2000000000000000000
		±2000000000000000000	±3000000000000000000
		±3000000000000000000	±4000000000000000000
		±4000000000000000000	±5000000000000000000
		±5000000000000000000	±7000000000000000000
		±7000000000000000000	±10000000000000000000
		±10000000000000000000	±15000000000000000000
		±15000000000000000000	±20000000000000000000
		±20000000000000000000	±30000000000000000000
		±30000000000000000000	±40000000000000000000
		±40000000000000000000	±50000000000000000000
		±50000000000000000000	±70000000000000000000
		±70000000000000000000	±100000000000000000000
		±100000000000000000000	±150000000000000000000
		±150000000000000000000	±200000000000000000000
		±200000000000000000000	±300000000000000000000
		±300000000000000000000	±400000000000000000000
		±400000000000000000000	±500000000000000000000
		±500000000000000000000	±700000000000000000000
		±700000000000000000000	±1000000000000000000000
		±1000000000000000000000	±1500000000000000000000
		±1500000000000000000000	±2000000000000000000000
		±2000000000000000000000	±3000000000000000000000
		±3000000000000000000000	±4000000000000000000000
		±4000000000000000000000	±5000000000000000000000
		±5000000000000000000000	±7000000000000000000000
		±7000000000000000000000	±10000000000000000000000
		±10000000000000000000000	±15000000000000000000000
		±15000000000000000000000	±20000000000000000000000
		±20000000000000000000000	±30000000000000000000000
		±30000000000000000000000	±40000000000000000000000
		±40000000000000000000000	±50000000000000000000000
		±50000000000000000000000	±70000000000000000000000
		±70000000000000000000000	±100000000000000000000000
		±100000000000000000000000	±150000000000000000000000
		±150000000000000000000000	±200000000000000000000000
		±200000000000000000000000	±3

INSTALLATION RESTRICTIONS FOR RSS (ROLL STABILITY SUPPORT)
 EINBAUBESCHRAENKUNGEN FUER RSS
 RESTRICTIONS D'INSTALLATION POUR RSS
 LIMITAZIONI DI MONTAGGIO PER RSS

INSTALLATION LIMITATIONS FOR DRAWBAR TRAILER:
 EINBAUBESCHRAENKUNGEN FUER DEICHSELANHAENGER:
 RESTRICTIONS D'INSTALLATION POUR REMORQUE A TIMON:
 LIMITAZIONE DI MONTAGGIO DEL RIMORCHIO A TIMONE:

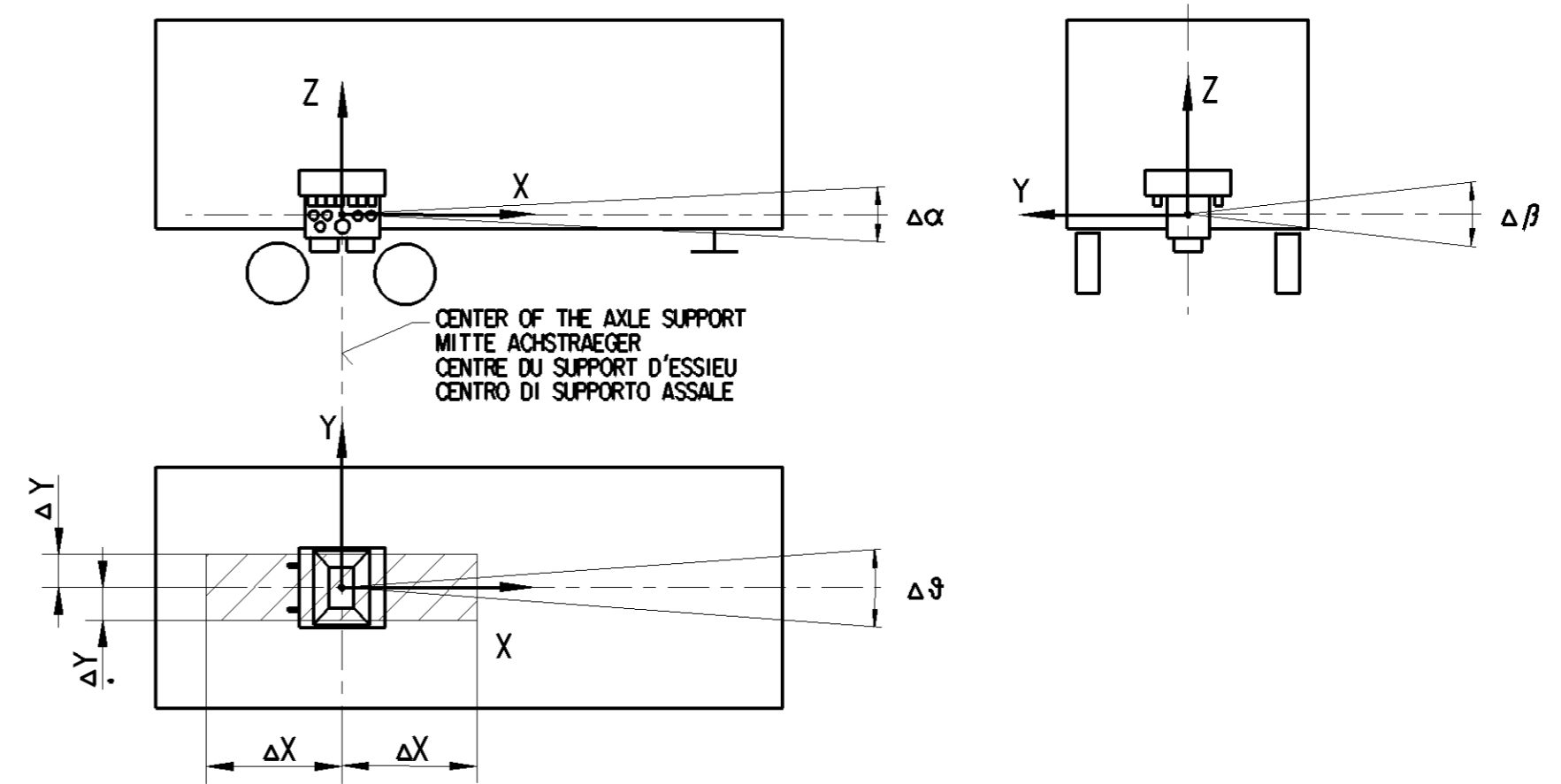


	ΔX [mm]	ΔY [mm]	$\Delta\alpha$	$\Delta\beta$	$\Delta\phi$
RSS NOT ACTIVATED RSS NICHT AKTIVIERT RSS NON ACTIVE RSS NON ATTIVATO	-	-	$\pm 15^\circ$	$\pm 15^\circ$	$\pm 15^\circ$ ****
RSS ACTIVATED RSS AKTIVIERT RSS ACTIVE RSS ATTIVATO	600	500	$\pm 15^\circ$	$\pm 3^\circ$	$\pm 3^\circ$ ****

**** PERMISSIBLE INSTALLATION POSITION FOR DRAWBAR TRAILER:
 ZULAESSIGE EINBAULAGE FUER DEICHSELANHAENGER:
 POSITION D'INSTALLATION ADMISE POUR REMORQUE A TIMON:
 POSIZIONE DI MONTAGGIO AMMESSA DEL RIMORCHIO A TIMONE:

$\pm 180^\circ$

INSTALLATION LIMITATIONS FOR SEMITRAILER:
 EINBAUBESCHRAENKUNGEN FUER SATTELANHAENGER:
 RESTRICTIONS D'INSTALLATION POUR SEMI-REMORQUE:
 LIMITAZIONE DI MONTAGGIO DEL SEMIRIMORCHIO:



	ΔX [mm]	ΔY [mm]	$\Delta\alpha$	$\Delta\beta$	$\Delta\phi$
RSS NOT ACTIVATED RSS NICHT AKTIVIERT RSS NON ACTIVE RSS NON ATTIVATO	-	-	$\pm 15^\circ$	$\pm 15^\circ$	$\pm 15^\circ$ *****
RSS ACTIVATED RSS AKTIVIERT RSS ACTIVE RSS ATTIVATO	2000	500	$\pm 15^\circ$	$\pm 3^\circ$	$\pm 3^\circ$ *****

***** PERMISSIBLE INSTALLATION POSITION FOR SEMITRAILER:
 ZULAESSIGE EINBAULAGE FUER SATTELANHAENGER:
 POSITION D'INSTALLATION ADMISE POUR SEMI-REMORQUE:
 POSIZIONE DI MONTAGGIO AMMESSA DEL SEMIRIMORCHIO:

$\pm 180^\circ$

General Specification: ISO 8015, JED-334-1, Size ISO 14405 LP		Copyright WABCO®		WABCO	
Further Technical Data:		Date	Signature		EBS Trailer Modulator 24V EBS Anhaengermodulator 24V EBS de la Remorque Modulateur 24V EBS del Rimorchio Modulatore 24V
Doc. Code:	Sheet:	2022-07-13	Hermisdorf		
General Tolerances JED-261		Checked	Stephan		
Range of nominal dimensions in mm		Dimensions in mm		Material No.	
Class 1)	≤ 50	$> 50 \leq 180$	$> 180 \leq 400$	> 400	Date of first issue: 2009-07-09
Fine	± 0.5	± 1	± 1.5	± 2	Doc.Code Language Sheet 005 ML 4/4
Medium	± 1	± 2	± 3	± 4	
Coarse	± 2	± 3.5	± 5	± 6.5	
Tapped Holes acc. JED-152		Mass	Scale	Replacement for	
1) Tolerance Class Applied Crossmarked		5.600	/	480 102 061 0	
		Size	CAD System	ECN-No.	Revision
		A 2	CREO	510880	0/1X K
				Techn. Resp.	6870
				480 102 089 0	

Non e permesso copiare, o terzi o riprodurre questo documento, ne utilizzare il contenuto o renderlo comunque noto o terzi senza autorizzazione esplicita. Ogni infrazione costituisce un evidente abuso e comportera il risarcimento dei danni subiti. E' fatta riserva di tutti i diritti derivanti da brevetti o modelli.
 Copying of this document and giving it to others and the use or communication of the contents thereof, are forbidden without express authority. Contention of this restriction will constitute an evident abuse and result in a liability to the payment of damages. All rights are reserved in the event of the grant of patent or registration of a utility model or design. This document is the subject of copyright.
 Toute communication ou reproduction de ce document, toute exploitation ou communication de son contenu sont interdites, sauf autorisation expresse. Tout manquement a cette regle constitue un abus evident et expose son auteur au versement de dommages et interets. Tous droits de propriete industrielle reserves, notamment en matiere de brevets et de modesles.
 Weitergabe sowie Vervielfaeltigung dieser Unterlagen, Verwertung und Mitteilung ihrer Inhalte nicht gestattet, soweit nicht ausdruesslich ansonsten, zuwidergesprochen. Zuwiderhandlungen stellen einen offensichtlichen Missbrauch dar und verpflichten zu Schadensersatz. Alle Rechte fuer den Fall der Patentierung oder Gebrauchsmuster-Eintragung vorbehalten.