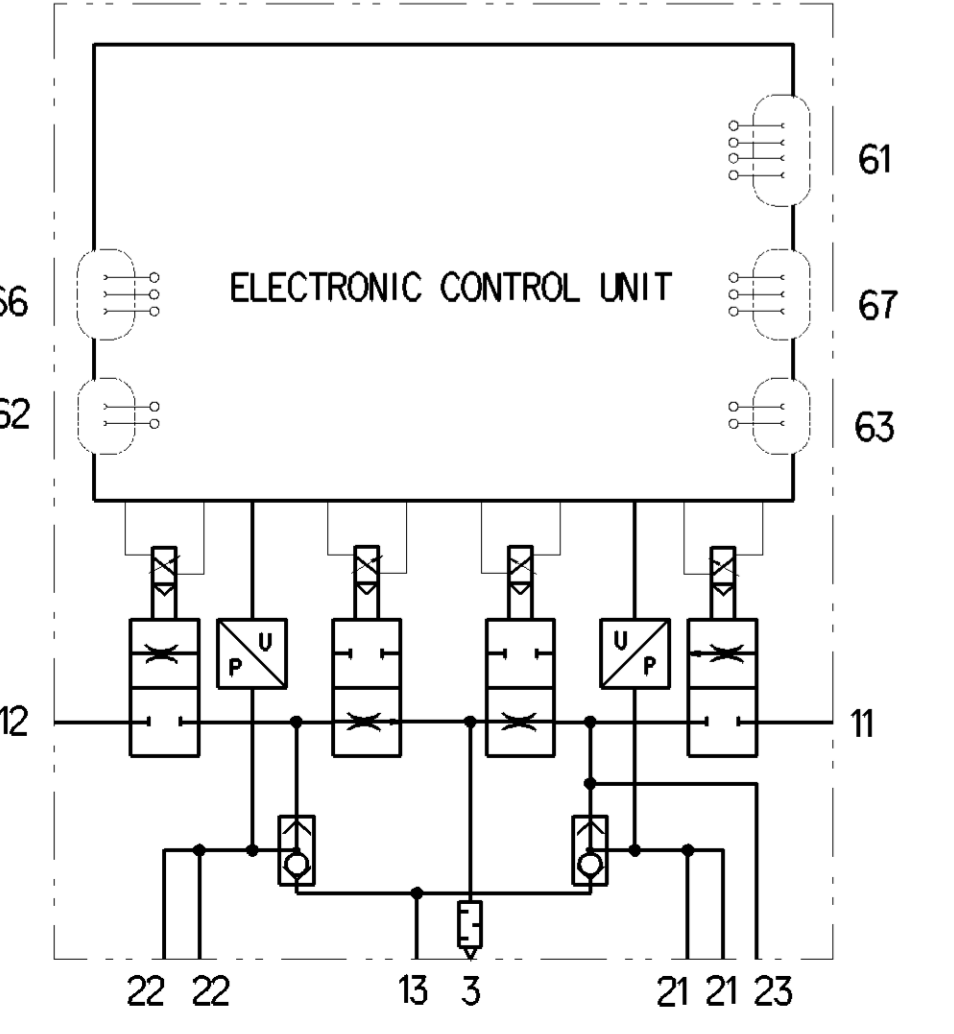
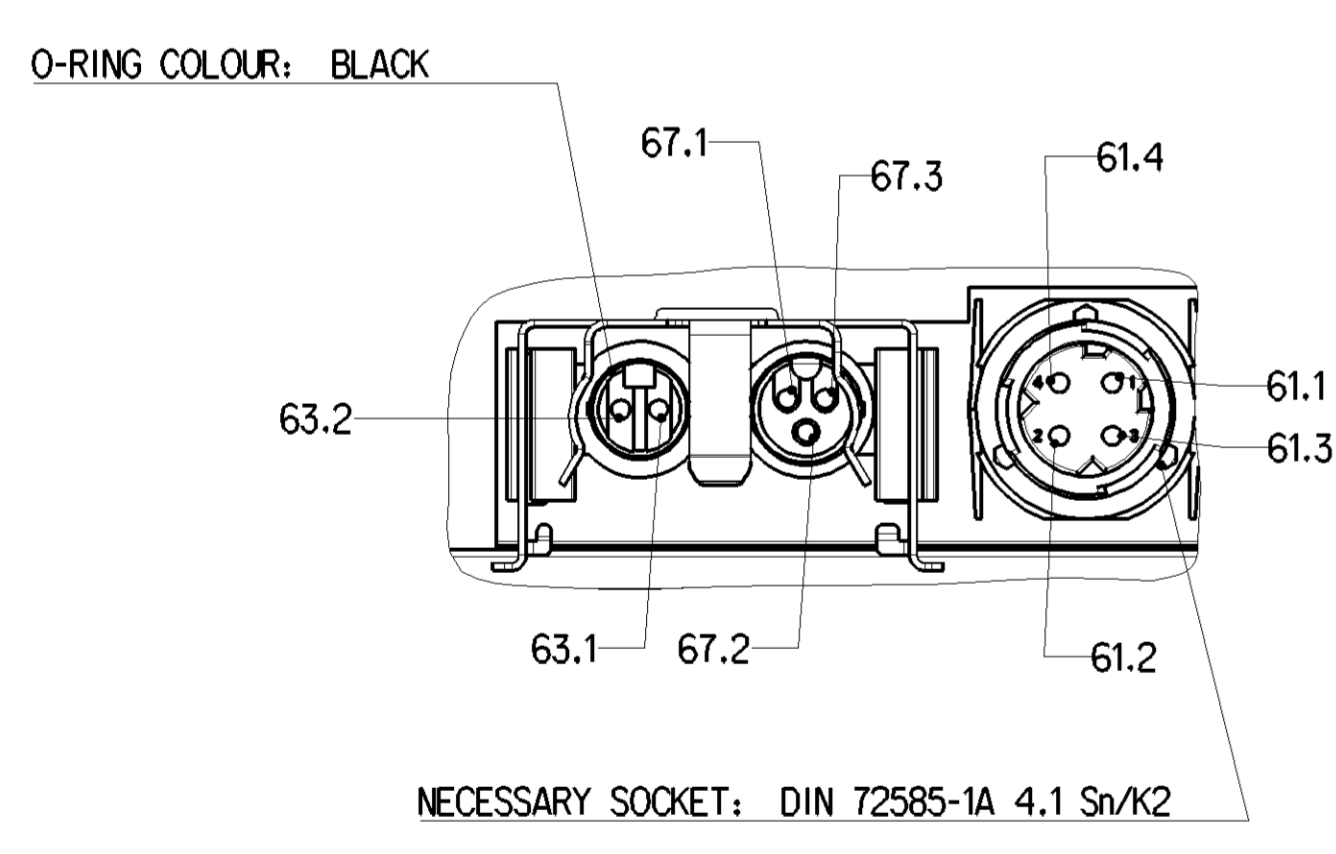


Tutti i diritti sono riservati. È vietata espressamente la ristampa o l'uso non autorizzato senza permesso scritto dalla WABCO. È vietata espressamente la ristampa o l'uso non autorizzato senza permesso scritto dalla WABCO. È vietata espressamente la ristampa o l'uso non autorizzato senza permesso scritto dalla WABCO. È vietata espressamente la ristampa o l'uso non autorizzato senza permesso scritto dalla WABCO.



④ SEE SHEET : 2/2 NUMBER 9.
 I-XVI SEE SHEET : 2/2

LABELING INFORMATION TABLE (SEE ALSO DOC.922)

PRODUCTION SITE	LABEL ID NUMBER	LABEL LAYOUT
048	899 050 145 4	

General Specification: JED-334-1 - Size 150 14405 LP		Copyright WABCO®	
Further Technical Data: 480 103 000 R		Date: 2019-11-20	Signature: John
Doc. Code: 035	Sheet: 1 To 22	Drawn: 2019-11-20	Checked: 2019-11-20
General Tolerances JED-261		Expert: Slobodzin	
Range of Nominal Dimensions (± mm)		Fidzinski	
Class	1) ≤ 50	2) > 50 < 180	3) > 180 < 400
Fine	0,5	1,0	1,5
Medium	2,0	3,0	4,0
Coarse	5,0	10,0	15,0
Tapped Holes acc. ISO 4039 / JED-389		Date of first issue: 2014-08-06	
1) Tolerance Class Applied: Crossmarked		Doc. Code: 005	
		Language: EN	
		Sheet: 1/2	
Material No.: 480 103 012 R		Revision: 3x B	
Tech. Prep.: 6840_FM		Replacement for: -	
ECN-No.: 502774		Revision: 3x B	
Size: A 1		Scale: 1:1	
CAD System: CREO		Material No.: 480 103 012 R	

SOFTWARE STATUS	PORT																APPLICATION	REMARKS
	11	12	13	21.1	21.2	22.1	22.2	23	61	62	63	66	67	68				
446 140 555 4 & 446 140 573 4	X	X	X	X	X	X	X	X	X	X	X	X	X	X	/●	AA: 6x2, 6x4, 8x4, 6x2/4	REPLACED 480 103 007 0	

● CLOSED

1.1	WORKING MEDIUM	AIR	(WATER, OIL AND ALCOHOL CONTAINING)
1.2	AMBIENT ENVIROMENT	air	(CONTAINING WATER, SALT, DUST AND OIL)
2.1	THERMAL RANGE OF APPLICATION	-40° ... +80°C	SEE PRODUCT SPECIFICATION
2.2	SHORT TERM RESISTANCE TO HEAT	MAX. 110°C AT 1h	WITHOUT FUNCTION
3.1	WORKING PRESSURE (SUPPLY)	$p_e = 10$ bar	
3.2	MAX. PERMISSIBLE WORKING PRESSURE (SUPPLY)	$p_e = 13$ bar	
4	MIN. FLOW PASSAGE	/NOMINAL DIAMETER	PORT 11-21, 23/12-22: 50.3 mm ² /NW 8 PORT 21, 22, 23-3: 78.5 mm ² /NW 10 PORT 13-21, 22: 78.5 mm ² /NW 10
5	VOLTAGE TERMINAL 61.1 / 61.2	24 +8/-9.5 V	
6	MAX. CURRENT TERMINAL 61.1 / 61.2	5 A / 10. bar	DIRECT CURRENT
7	DATA TRANSFER	CAN	ACCORDING TO ISO 11898
8	TYPE OF PROTECTION	IP 66, IP 69K	COMPLETE DEVICE WITH MOUNTED COUPLING
9	INSTALLATION LIMITATIONS MAX. DEVIATION OF THE DEVICE FROM THE VERTICAL	45°	SEE SHEET 1/2 (4)

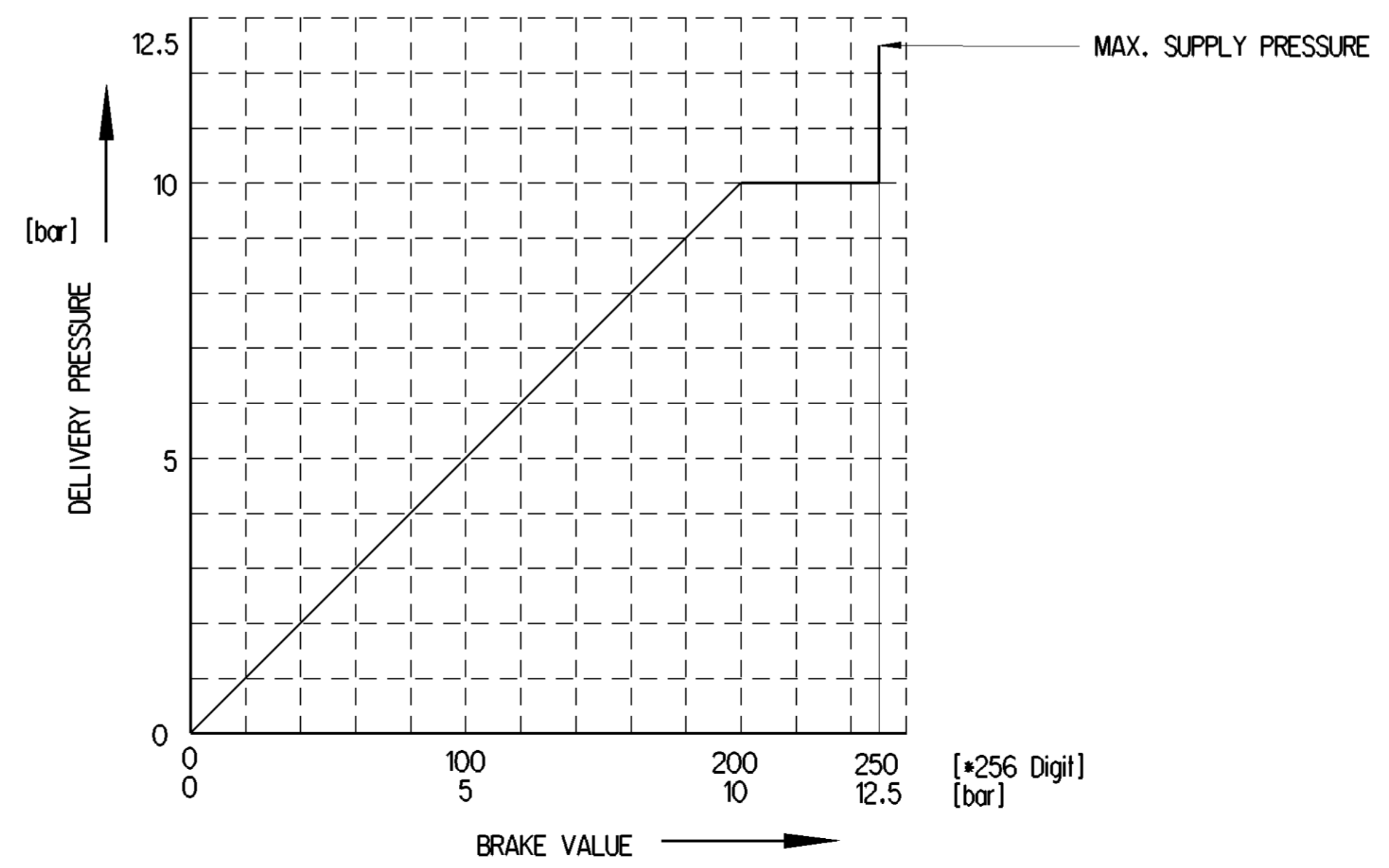
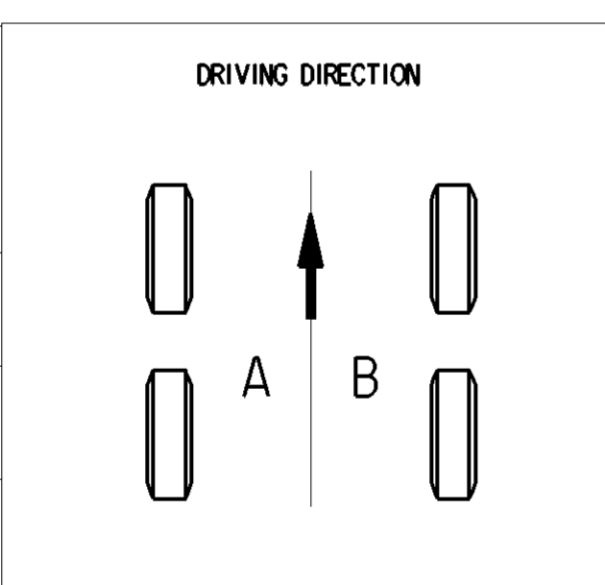
MATERIAL AND SURFACE PROTECTION			
I	Al JED-029M1 / C JED-259	X	JED-570.845
II	Al 99.0 ISO/R 828	XI	PA 6.6 JED-354.1
III	Al JED-077M1 / JED-007.1	XII	Fe JED-048M1 / JED-371
IV	Fe JED-050M0	XIII	CuZn40Pb2-F48 / CuZn39Pb3-F48
V	Fe JED-051M4 / Zn/C JED-256-1	XIV	Fe JED-020.1 / Zn/C JED-256-1
VI	Fe JED-051M4 / JED-378.1	XV	JED-308
VII	Al JED-019M1 / JED-259	XVI	JED-015M1 / JED-256
VIII	PA 6.6 JED-753.1		
IX	JED-570.865		

SEE SHEET: 1/2 I-XVI

	①	②	③
TORQUE	max. 53 Nm	max. 86 Nm	max. 34 Nm
LENGTH OF ENGAGEMENT	max. 12 mm	A=min. 24 mm	max. 12 mm

Non è permesso copiare o riprodurre questo documento, né utilizzare il contenuto a fini commerciali, senza permesso scritto dalla WABCO. È vietata espressamente la ristampa o l'uso non autorizzato.

PORT		FUNCTION
SIDE A	SIDE B	
11	12	SUPPLY
13		BACK UP PORT
21.1 21.2	22.1 22.2	DELIVERY (AFTER DOUBLE CHECK VALVE)
23		DELIVERY (DIRECT)
3		EXHAUST
61		CAN AND SUPPLY
61.1 61.2 61.3 61.4		U _B + GROUND CAN HIGH CAN LOW
63	62	
63.1 63.2	62.1 62.2	SENSOR HIGH SENSOR LOW
67	66	LINING WEAR SENSOR
67.1	66.1	SUPPLY OUTLET
67.2 67.3	66.2 66.3	GROUND SIGNAL
68		PRESSURE SENSOR
68.1 68.2 68.3		U _B + GROUND SIGNAL
68.4 68.5		SOLENOID HIGH LOW



General Specification: JED-334-1 - Size ISO 14405 LP		Copyright WABCO®	
Further Technical Data: 480 103 000 R		Date	Signature
Doc. Code: 035	Sheet: 1 To 22	2019-11-20	John
General Tolerances JED-261		Checked: Stobozian	
Range of Nominal Dimensions (± mm)		Expert: Fidzianski	
Class	1) ≤ 50	2) > 50 & ≤ 180	3) > 180 & ≤ 400
Fine	0.5	1.0	1.5
Medium	X 1.0	2.0	3.0
Coarse	2.0	3.5	5.0
Tapped Holes acc. ISO 4039 / JED-389		Material No. 480 103 012 R	
1) Tolerance Class Applied: Crossmarked		Scale: 1:1	Date of first issue: 2014-08-06
A 1 CREO		Doc. Code: 005	Language: EN
502174		Revision: 3x B	Sheet: 2/2
6840_FM		Replacement for: -	