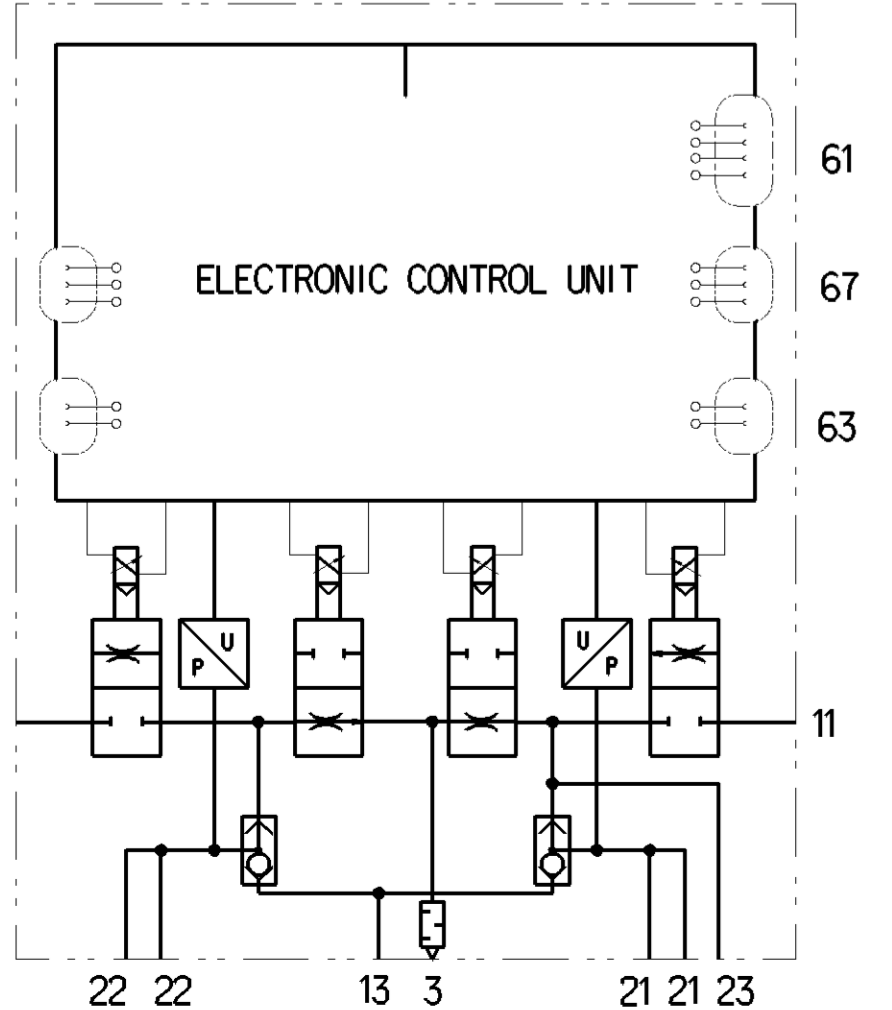
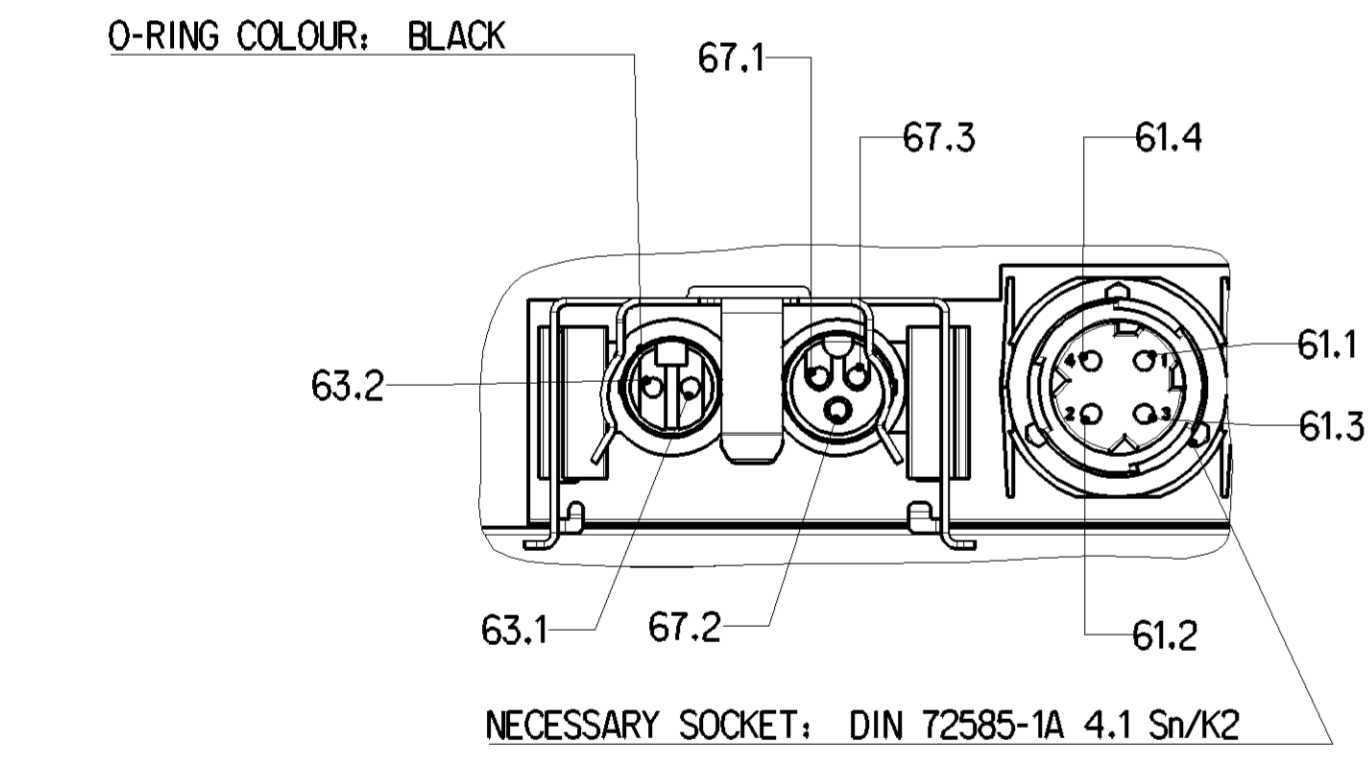


Non è permesso copiare o riprodurre questo documento, né utilizzare il contenuto a fini commerciali o di lucro. È vietata espressamente la ristampa o l'uso non autorizzato. Tutti i diritti sono riservati. © WABCO.
 Toute réimpression ou reproduction de ce document, toute utilisation de son contenu à des fins commerciales ou de profit sont formellement interdites. Toute réimpression ou utilisation non autorisée sans la permission écrite de la WABCO est formellement interdite. Tous droits réservés. © WABCO.
 Waproszenie powielania, rozpowszechniania lub kopiowania tego dokumentu jest zabronione. Wszelkie prawa zastrzeżone. © WABCO.
 Alle Rechte sind vorbehalten. Nachdruck, Vervielfältigung und Verbreitung, auch auszugsweise, ist ohne schriftliche Genehmigung der WABCO AG.
 All Rights Reserved. No part of this publication may be reproduced, stored in a retrieval system, or transmitted, in any form or by any means, without the prior written permission of WABCO.



④ SEE SHEET : 2/2 NUMBER 9.
 I-XVI SEE SHEET : 2/2

⑧ LABELING INFORMATION TABLE (SEE ALSO DOC.922)

PRODUCTION SITE	LABEL ID NUMBER	LABEL LAYOUT
048	899 050 145 4	

General Specification: JED-354-1 - Size 104405 LP		Copyright WABCO®	
Further Technical Data: 480 103 000 R		Date: 2019-11-20	Signature:
Doc. Code: 035	Sheet: 1 To 22	Drawn: John	Checked: Stobdzian
General Tolerances JED-261		Expert: Fidzianski	
Range of Nominal Dimensions (± mm)			
Class	1)	> 50 > 180 > 400	∇
Fine	0,5 1,0 1,5 2,0		
Medium	X 1,0 2,0 3,0 4,0		±3°
Coarse	2,0 3,5 5,0 6,5		
Tapped Holes acc. ISO 4039 / JED-389			
1) Tolerance Class Applied: Crossmarked			
Mass	7,0 kg	Scale	1:1
Size	CAD System	Material No.	480 103 016 R
A 1	CREO	ECN-No.	502774
Revision: 3x B		Techn. Resp.	6840_FM
Date of first issue: 2014-08-06		Doc. Code	005
Language: EN		Sheet	1/2
Replacement for: -			

SOFTWARE STATUS	PORT																APPLICATION	REMARKS
	11	12	13	21.1	21.2	22.1	22.2	23	61	62	63	66	67	68				
446 140 553 4 & 440 140 554 4	X	X	X	X	X	X	X	X	/●	X	X	X	/●	/●	/●	3 und 4-Axis vehicle	500 Kba. Simple redundancy	

● CLOSED

1.1	WORKING MEDIUM	AIR	(WATER, OIL AND ALCOHOL CONTAINING)
1.2	AMBIENT ENVIROMENT	air	(CONTAINING WATER, SALT, DUST AND OIL)
2.1	THERMAL RANGE OF APPLICATION	-40° ... +80°C	SEE PRODUCT SPECIFICATION
2.2	SHORT TERM RESISTANCE TO HEAT	MAX. 110°C AT 1h	WITHOUT FUNCTION
3.1	WORKING PRESSURE (SUPPLY)	$p_e = 10$ bar	
3.2	MAX. PERMISSIBLE WORKING PRESSURE (SUPPLY)	$p_e = 13$ bar	
4	MIN. FLOW PASSAGE	/NOMINAL DIAMETER	PORT 11-21, 23/12-22: 50.3 mm ² /NW 8 PORT 21, 22, 23-3: 78.5 mm ² /NW 10 PORT 13-21, 22: 78.5 mm ² /NW 10
5	VOLTAGE TERMINAL 61.1 / 61.2	24 +8/-9.5 V	
6	MAX. CURRENT TERMINAL 61.1 / 61.2	5 A / 10. bar	DIRECT CURRENT
7	DATA TRANSFER	CAN	ACCORDING TO ISO 11898
8	TYPE OF PROTECTION	IP 66, IP 69K	COMPLETE DEVICE WITH MOUNTED COUPLING
9	INSTALLATION LIMITATIONS MAX. DEVIATION OF THE DEVICE FROM THE VERTICAL	45°	SEE SHEET 1/2 (4)

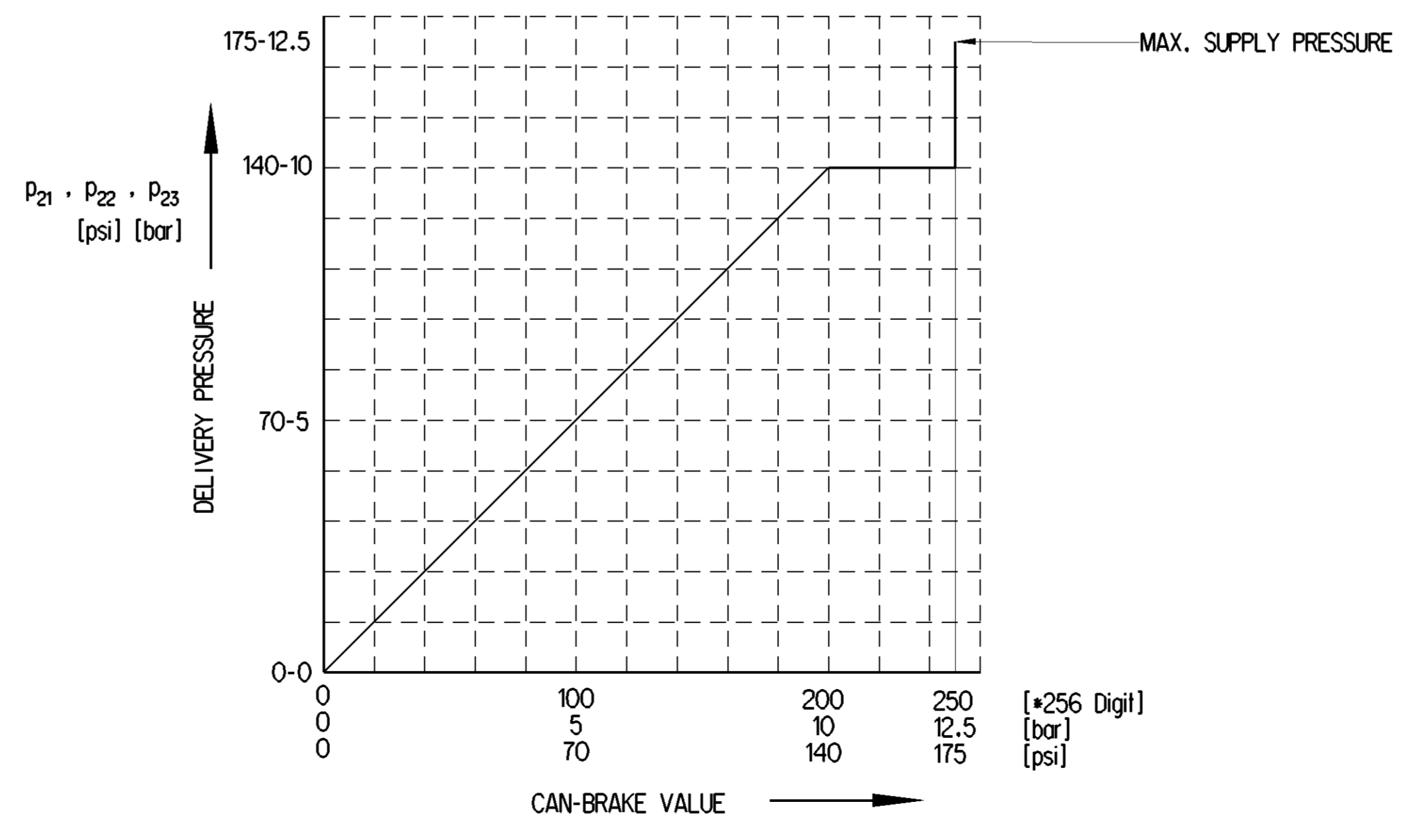
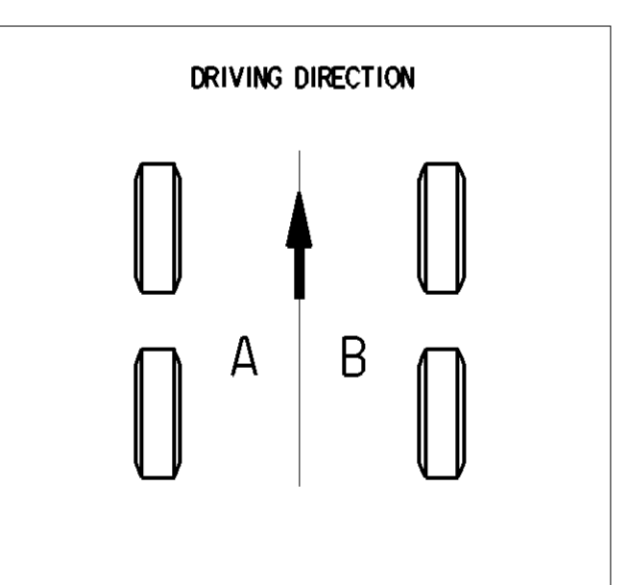
MATERIAL AND SURFACE PROTECTION			
I	Al JED-029M1 / C JED-259	X	JED-570.845
II	Al 99.0 ISO/R 828	XI	PA 6.6 JED-354.1
III	Al JED-077M1 / JED-007.1	XII	Fe JED-048M1 / JED-371
IV	Fe JED-050M0	XIII	CuZn40Pb2-F48 / CuZn39Pb3-F48
V	Fe JED-051M4 / Zn/C JED-256-1	XIV	Fe JED-020.1 / Zn/C JED-256-1
VI	Fe JED-051M4 / JED-378.1	XV	JED-308
VII	Al JED-019M1 / JED-259	XVI	JED-015M1 / JED-256
VIII	PA 6.6 JED-753.1		
IX	JED-570.865		

SEE SHEET: 1/2

	(1)	(2)	(3)
TORQUE	max. 53 Nm	max. 86 Nm	max. 34 Nm
LENGTH OF ENGAGEMENT	max. 12 mm	A.min. 24 mm	max. 12 mm

Non è permesso copiare o riprodurre questo documento, né utilizzare il contenuto a fini commerciali senza permesso scritto dalla WABCO. È vietata espressamente la ristampa o l'uso non autorizzato. Toute réimpression ou utilisation non autorisée sans la permission écrite de la WABCO est formellement interdite. Toute utilisation non autorisée sera considérée comme une violation des lois. All rights reserved. No part of this document may be reproduced, stored in a retrieval system, or transmitted, in any form or by any means, without the prior written permission of WABCO. This document is the property of WABCO.

PORT		FUNCTION
SIDE A	SIDE B	
11	12	SUPPLY
13		BACK UP PORT
21.1 21.2	22.1 22.2	DELIVERY (AFTER DOUBLE CHECK VALVE)
23		DELIVERY (DIRECT)
3		EXHAUST
61		CAN AND SUPPLY
61.1 61.2 61.3 61.4		U _B ⁺ GROUND CAN HIGH CAN LOW
63		62
63.1 63.2	62.1 62.2	SENSOR HIGH SENSOR LOW
67		66
67.1 67.2 67.3	66.1 66.2 66.3	LINING WEAR SENSOR SUPPLY OUTLET GROUND SIGNAL
68		PRESSURE SENSOR
68.1 68.2 68.3		U _B ⁺ GROUND SIGNAL
68.4 68.5		SOLENOID HIGH LOW



General Specification: JED-334-1 - Size ISO 14405 LP		Copyright WABCO®	
Further Technical Data: 480 103 000 R		Date: 2019-11-20	Signature: John
Doc. Code: 035	Sheet: 1 To 22	Checked: Stobdzian	Expert: Fidzianski
General Tolerances JED-261			
Range of Nominal Dimensions (± mm)			
Class	1)	≤ 50	> 50 > 180 > 400
Fine	X	0.5	1.0 1.5 2.0
Medium		1.0	2.0 3.0 4.0
Coarse		2.0	3.5 5.0 6.5
Tapped Holes acc. ISO 4039 / JED-389			
1) Tolerance Class Applied: Crossmarked			
Mass	7.0 kg	Scale	1:1
Size	A 1	CAD System	CREO
Material No. 480 103 016 R		Date of first issue: 2014-08-06	
EBS-AXLE MODULATOR		Doc. Code: 005	Language: EN
Revision: 3x B		Techn. Resp.: 6840_FM	Sheet: 2/2