



DEVICE NUMBER	SOFTWARE STATUS	PORT														APPLICATION	REMARKS
8		11	12	4	21	21.2	22	22.2	61	62	63	66	67	68	69		
480 105 006 R	AM030020	X	X	X	X	/	X	/	X	X	X	X	X	X	X	2-Vehicle axles	Series variant 1
480 105 007 R	AM030020	X	X	X	X	X	X	X	X	X	X	X	X	X	X	3 and 4-Vehicle axles	Series variant 2

● CLOSED  
X USED  
/ NOT USED

TYPE OF PROTECTION	
COMPLETE DEVICE WITH MOUNTED COUPLING	IP 6K6K , IP 6K9K
ELECTRIC TERMINALS WITH MOUNTED COUPLING	IP 6K7
VARIANT FEATURING FORDING ABILITY	IP 6K7

DO NOT TOUCH CONNECTOR CONTACTS AND RECEPTACLE CONTACTS

TENSION FREE MOUNTING OF THE LINES

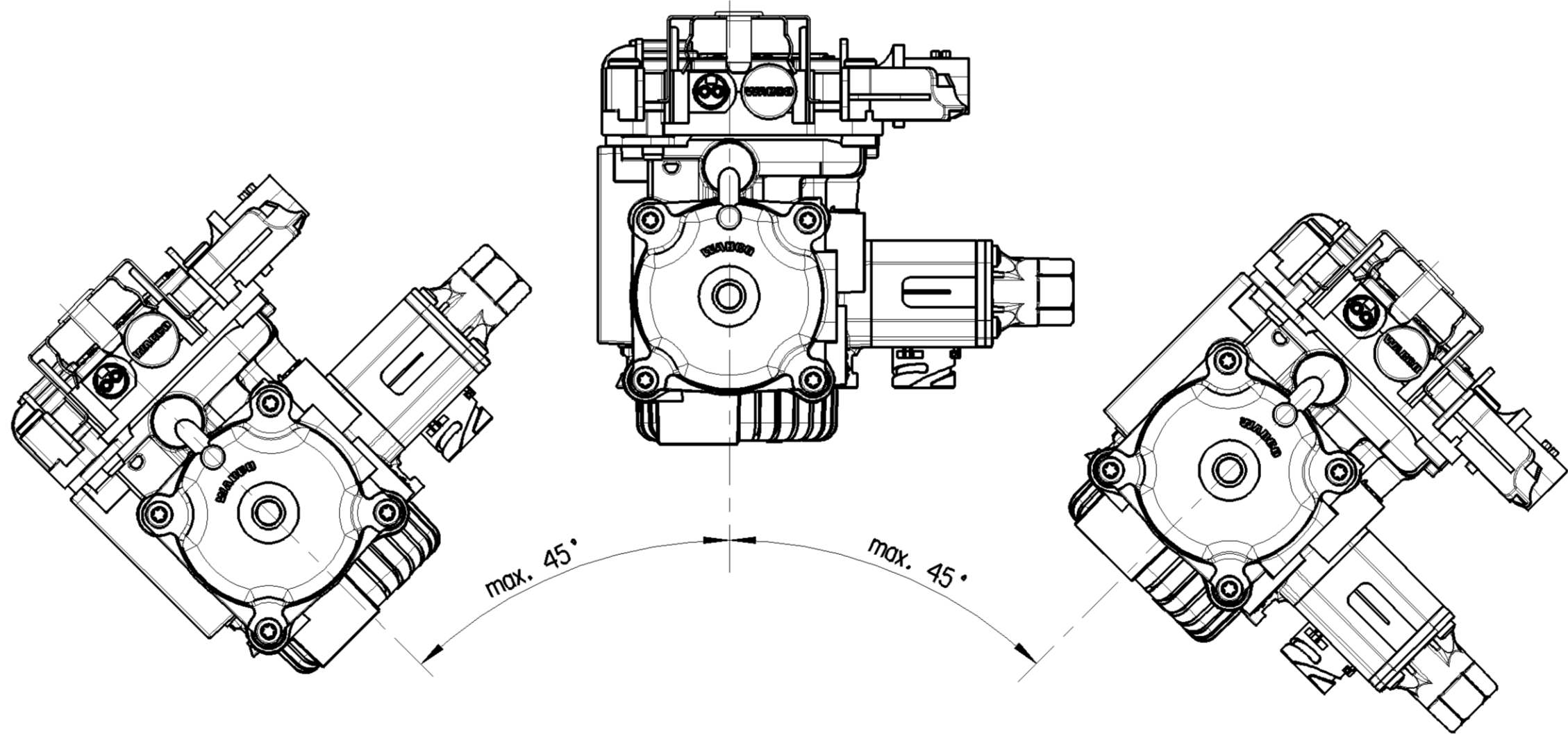
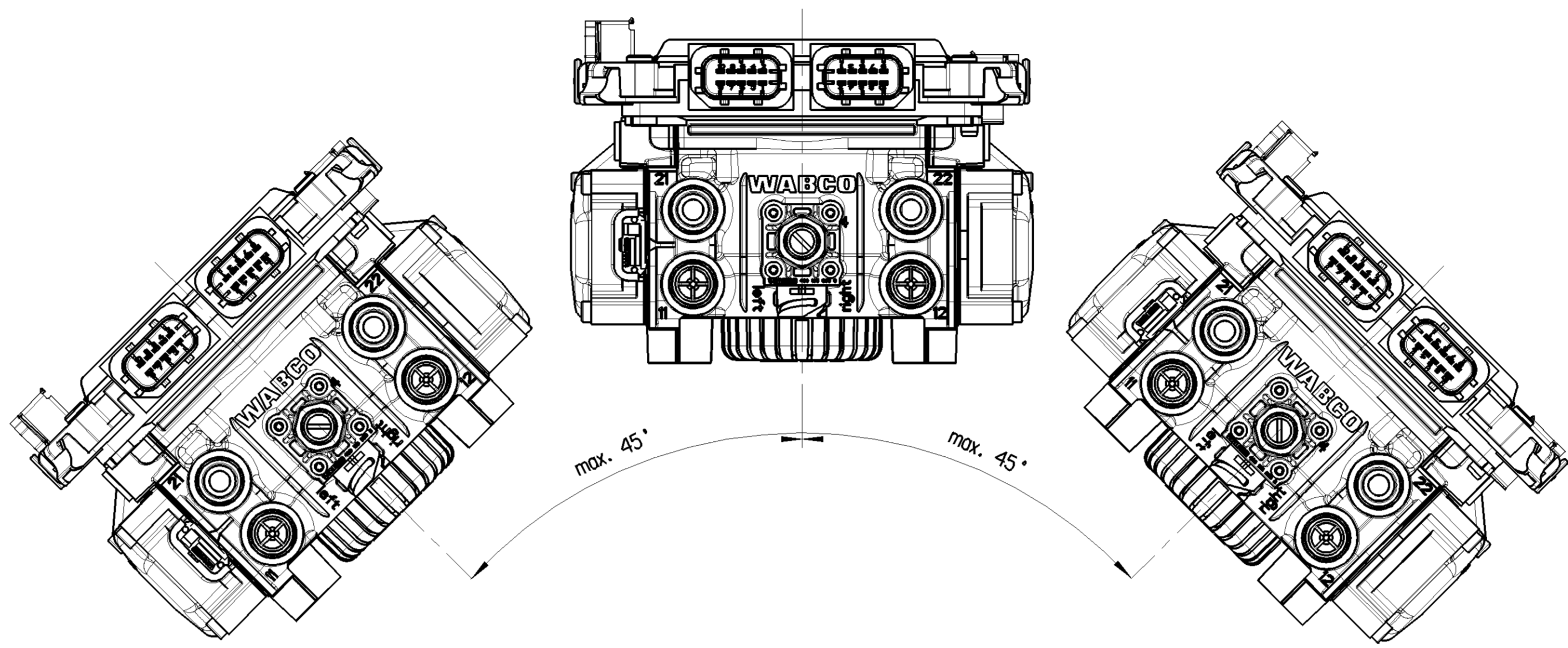
INSPECTION MARK EMV: e1 03 4355

ATTENTION: PORT 4 (BACK-UP PORT) SHALL NOT BE CLOSED WITH FILLER PLUG

HANDLING, STORAGE, PACKAGING, PRESERVATION AND DELIVERY 480 020 000 0 (DOC 035)

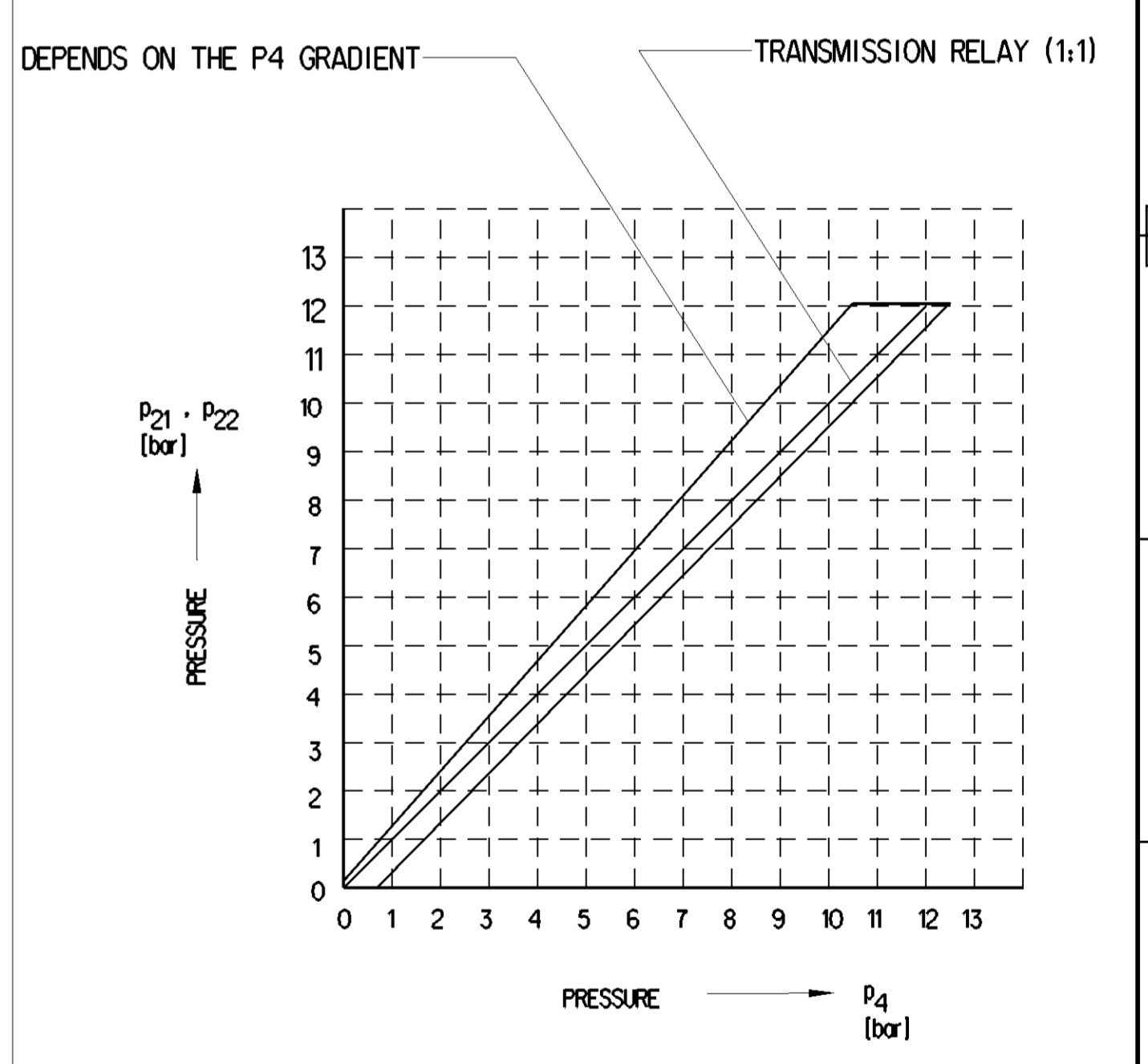
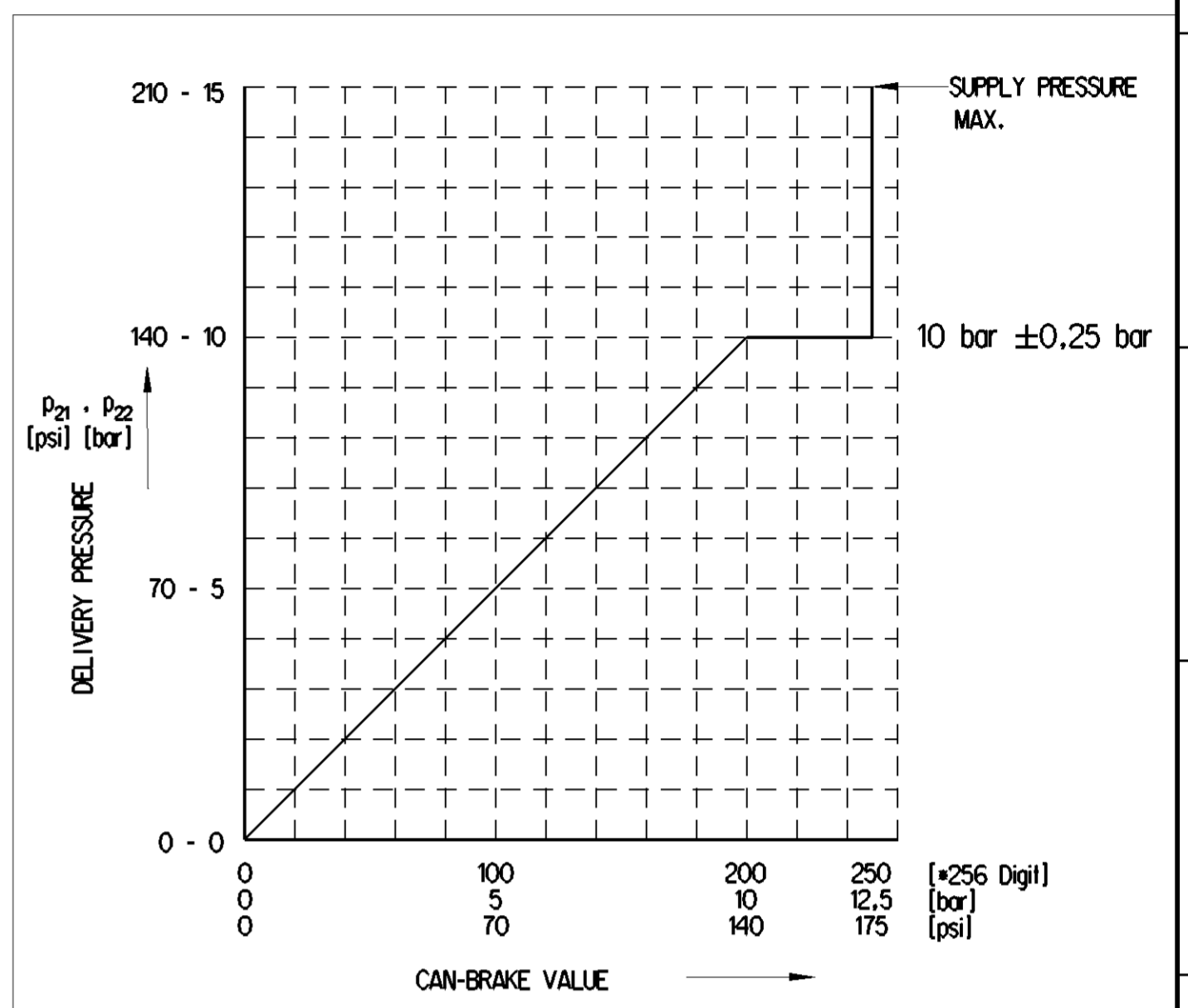
FOR FURTHER TECHNICAL DATA SEE PRODUCT SPECIFICATION 480 105 006 R (DOC 035)

WORKING MEDIUM	COMPRESSED AIR (WATER- AND OIL CONTAINING, SEE PRODUCT SPECIFICATION)
INSTALLS	CHASSIS
THERMAL RANGE OF APPLICATION	-40° ... +80°
SHORT TERM RESISTANCE TO HEAT (UNPRESSURIZED, CURRENTLESS, WITHOUT FUNCTION)	MAX. 1h AT 110°C OR MAX. 2h AT 95°C
WORKING PRESSURE (SUPPLY)	$p_e$ = min. 10 bar max. 13 bar
MAX. PERMISSIBLE WORKING PRESSURE (SUPPLY)	$p_e$ = 15 bar TEMPORARY WITHOUT FUNCTION
VOLTAGE	24 <sup>±0.5</sup> V TERMINAL 61.1 / 61.2 / 68.1 / 68.2
MAX. CURRENT	10 A / 10 bar ( $p_{21}$ , $p_{22}$ ) DIRECT CURRENT TERMINAL 61.1 / 61.2 / 68.1 / 68.2
DATA TRANSFER (61 / 68)	CAN ACCORDING TO ISO 11898



PORT		
SIDE A	SIDE B	FUNCTION
11	12	SUPPLY
	4	BACK UP PORT
21	22	DELIVERY (DIRECT)
21.2	22.2	
	3	EXHAUST
	61	CAN,SUPPLY, BACKUP VALVE, ASR-VALVE
	61.1	GROUND CAN LOW 1 Ub CAN HIGH 1 BACKUP VALVE LOW ASR-VALVE HIGH NOT CONNECTED NOT CONNECTED BACKUP VALVE HIGH ASR-VALVE GROUND
	61.2	
	61.3	
	61.4	
	61.5	
	61.6	
	61.7	
	61.8	
	61.9	
	61.10	
63	62	WHEEL SPEED SENSOR
63.1	62.1	SENSOR HIGH
63.2	62.2	
67	66	LINING WEAR SENSOR
67.1	66.1	SUPPLY GROUND SIGNAL
67.2	66.2	
67.3	66.3	
	68	CAN, SUPPLY, TRAILER CONTROL VALVE, ADDITIONAL AXLE SELECTION
	68.1	GROUND CAN LOW 2 Ub CAN HIGH 2 ADDITIONAL AXLE TRAILER CONTROL VALVE PRESSURE SENSOR SUPPLY
	68.2	
	68.3	
	68.4	
	68.5	
	68.6	
	68.7	TRAILER CONTROL VALVE LOW
	68.8	TRAILER CONTROL VALVE PRESSURE SENSOR SIGNA
	68.9	TRAILER CONTROL VALVE HIGH
	68.10	TRAILER CONTROL VALVE PRESSURE SENSOR GROUND
69		BACKUP VALVE SOLENOID
69.1		ELECTRICAL CONTROL 1
69.2		ELECTRICAL CONTROL 2

<1> SAFETY CHARACTERISTICS	0
<2> SIGNIFICANT CHARACTERISTICS	0
<3> CUSTOMER INTERFACE	0



General Specifications: JED-334-1, Size ISO 14405 LP

Further Technical Data: 480 105 006 R

Doc. Code: 035 Sheet: 1 To 59

General Tolerances JED-261

Class	1)	≤ 50	> 50	≤ 180	> 180	≤ 400	> 400
Fine	X	0.5	1.0	1.5	2.0		
Medium		1.0	2.0	3.0	4.0		
Coarse		2.0	3.5	5.0	6.5		

Tapped Holes acc. -

1) Tolerance Class Applied Crossmarked

Copyright WABCO®

Date: 2020-10-23

Brand: Ortowski

Checked: Fiziński

Expert: Ortowski

Mass: 3.2 kg

Scale: 1:1

Material No.: 480 105 006 R

Date of first issue: 2021-10-26

Doc. Code: 053 Language: EN Sheet: 2/2

ECN-No.: 52155

Revision: 1 x A

Techn. Resp.: 6840\_PM

Replacement for: -

Tutti i diritti sono riservati. È vietata espressamente la ristampa o l'uso non autorizzato senza permesso scritto dalla WABCO. Tutti i diritti sono riservati. È vietata espressamente la ristampa o l'uso non autorizzato senza permesso scritto dalla WABCO.