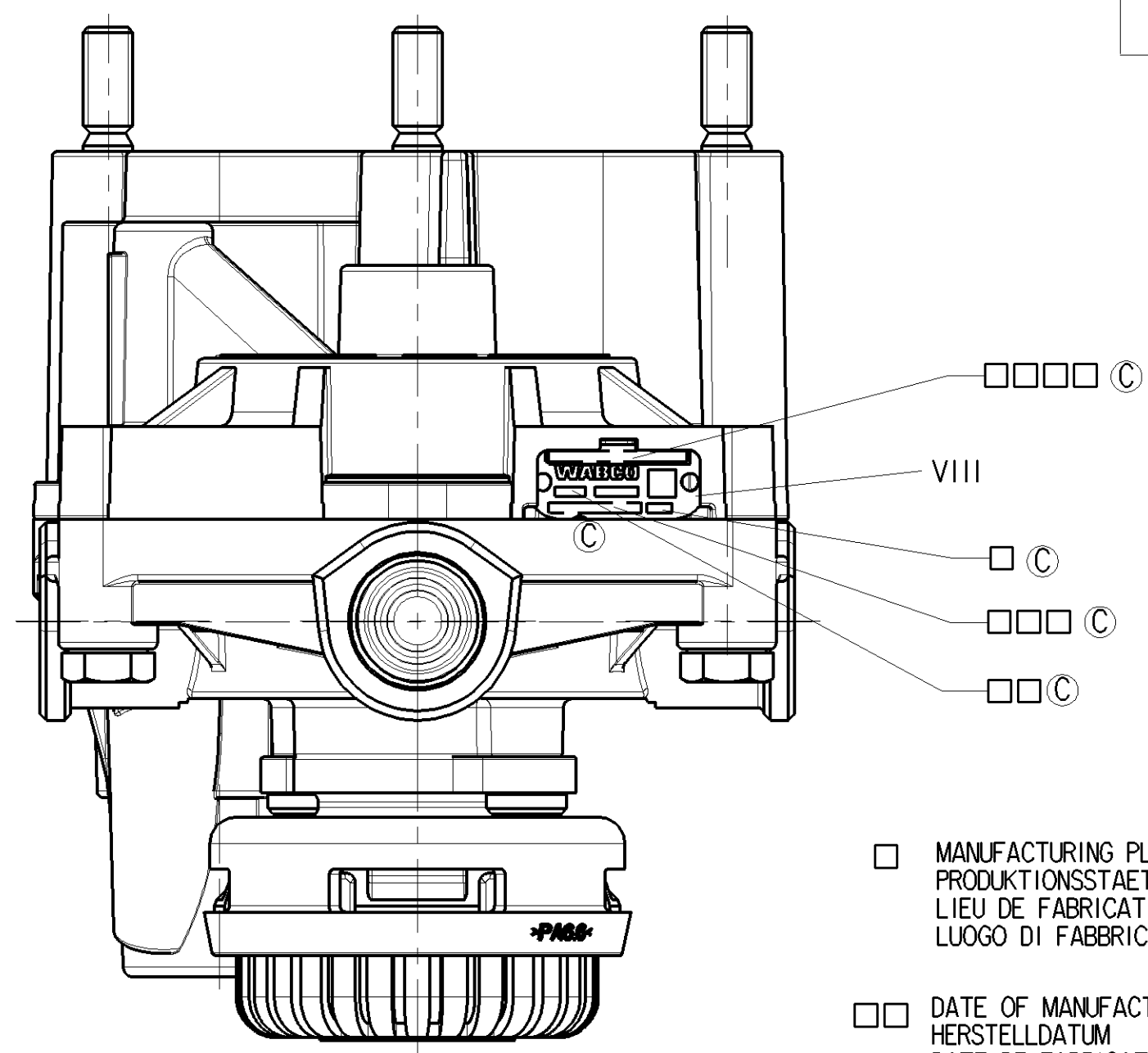
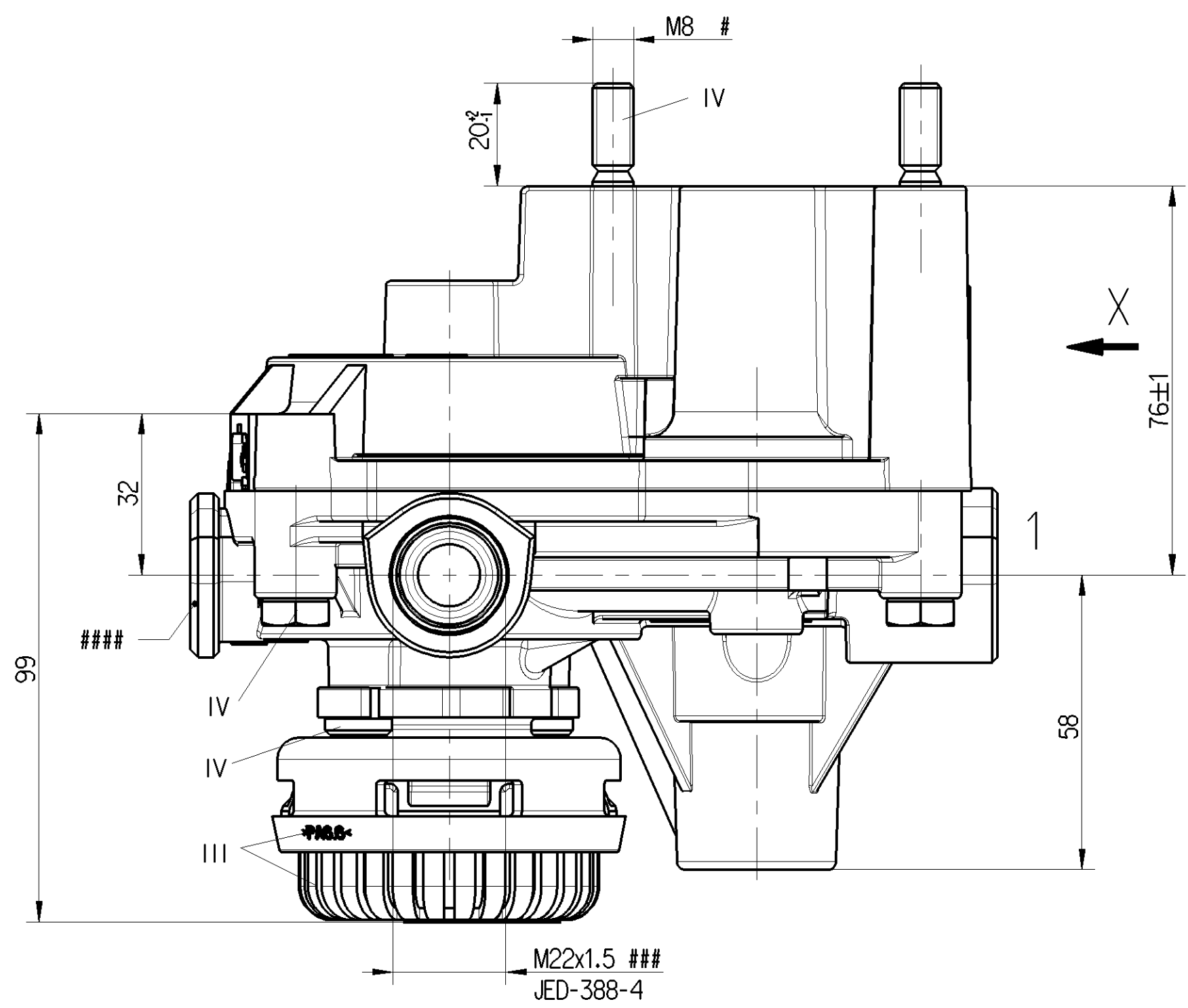
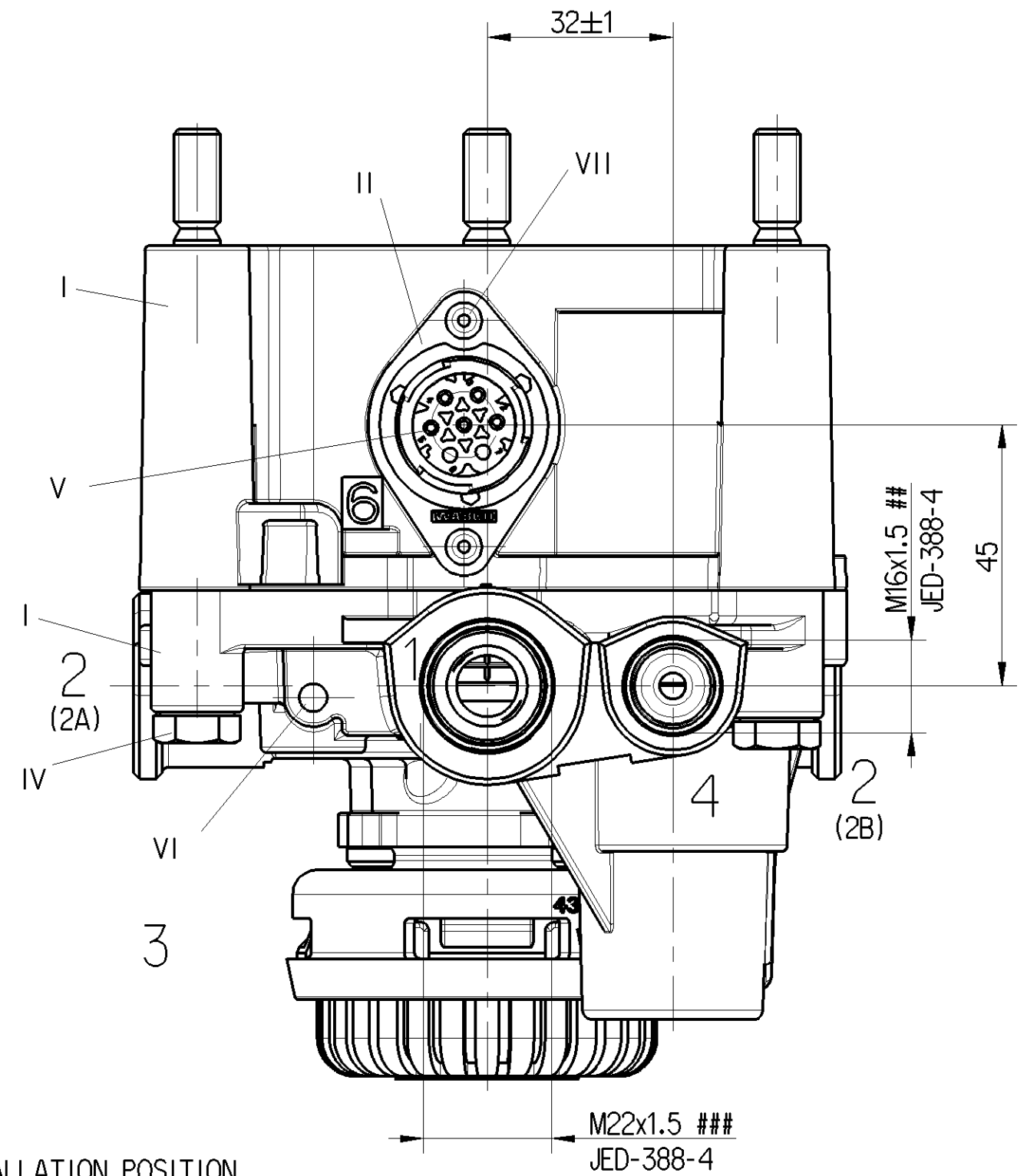
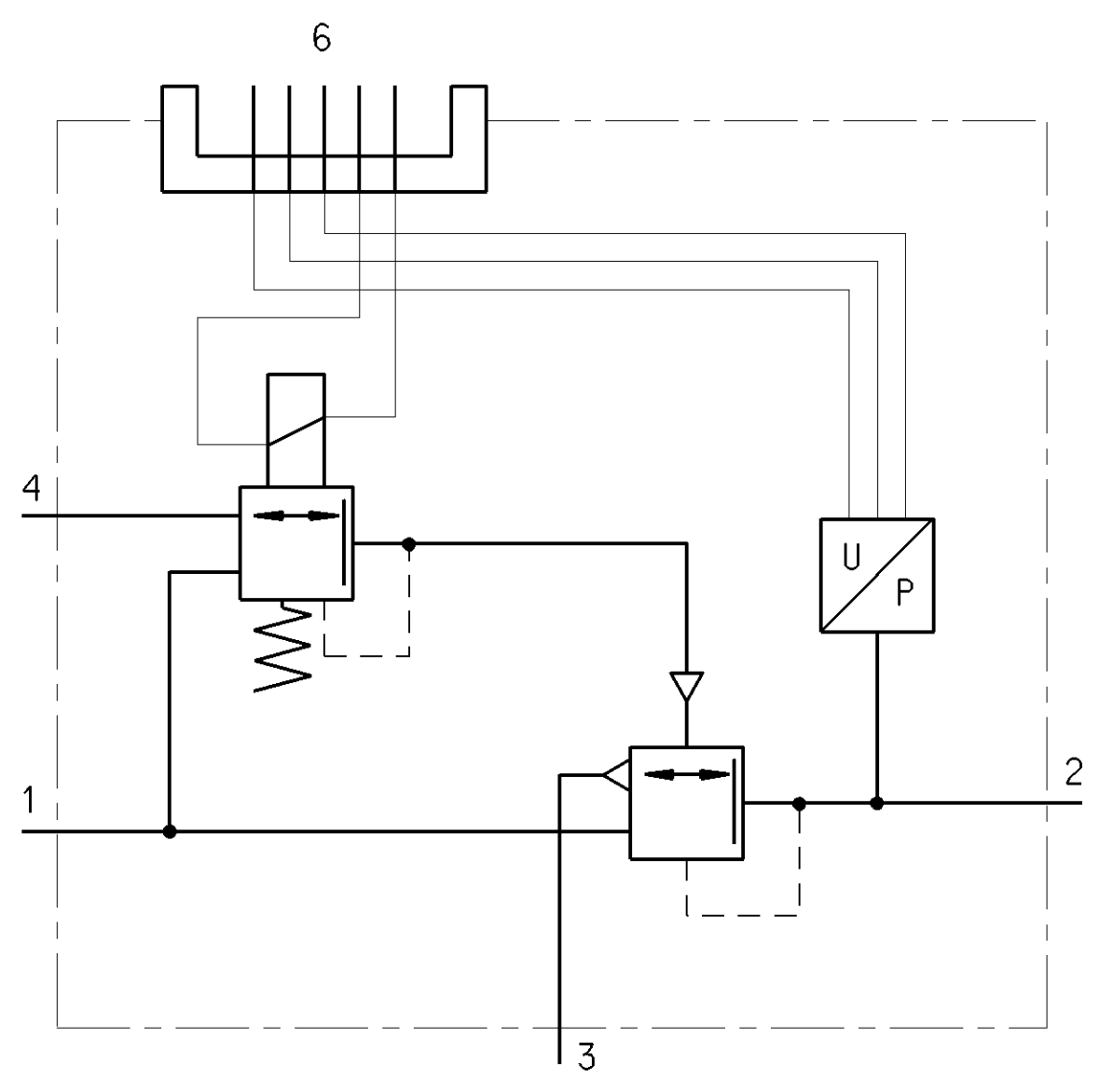
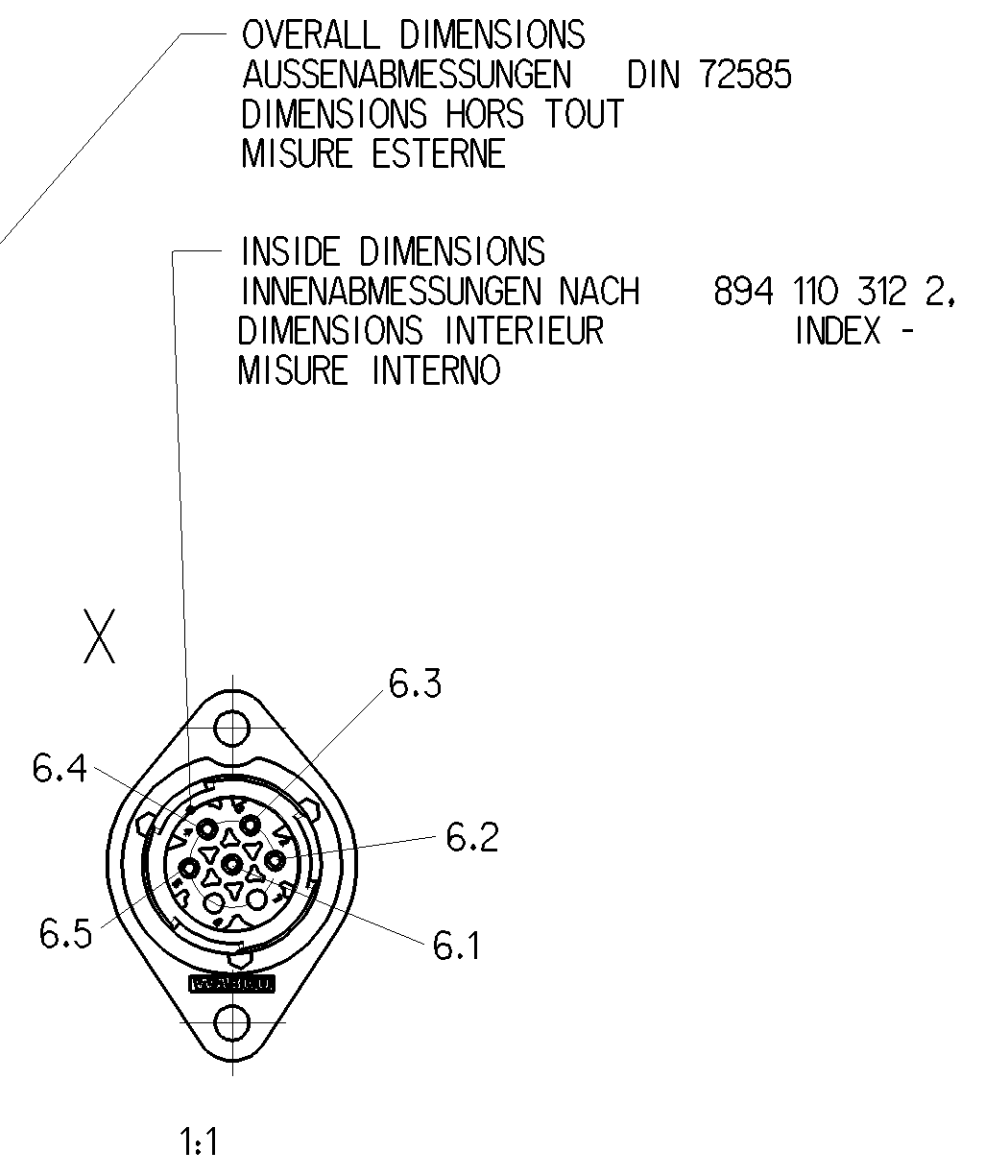
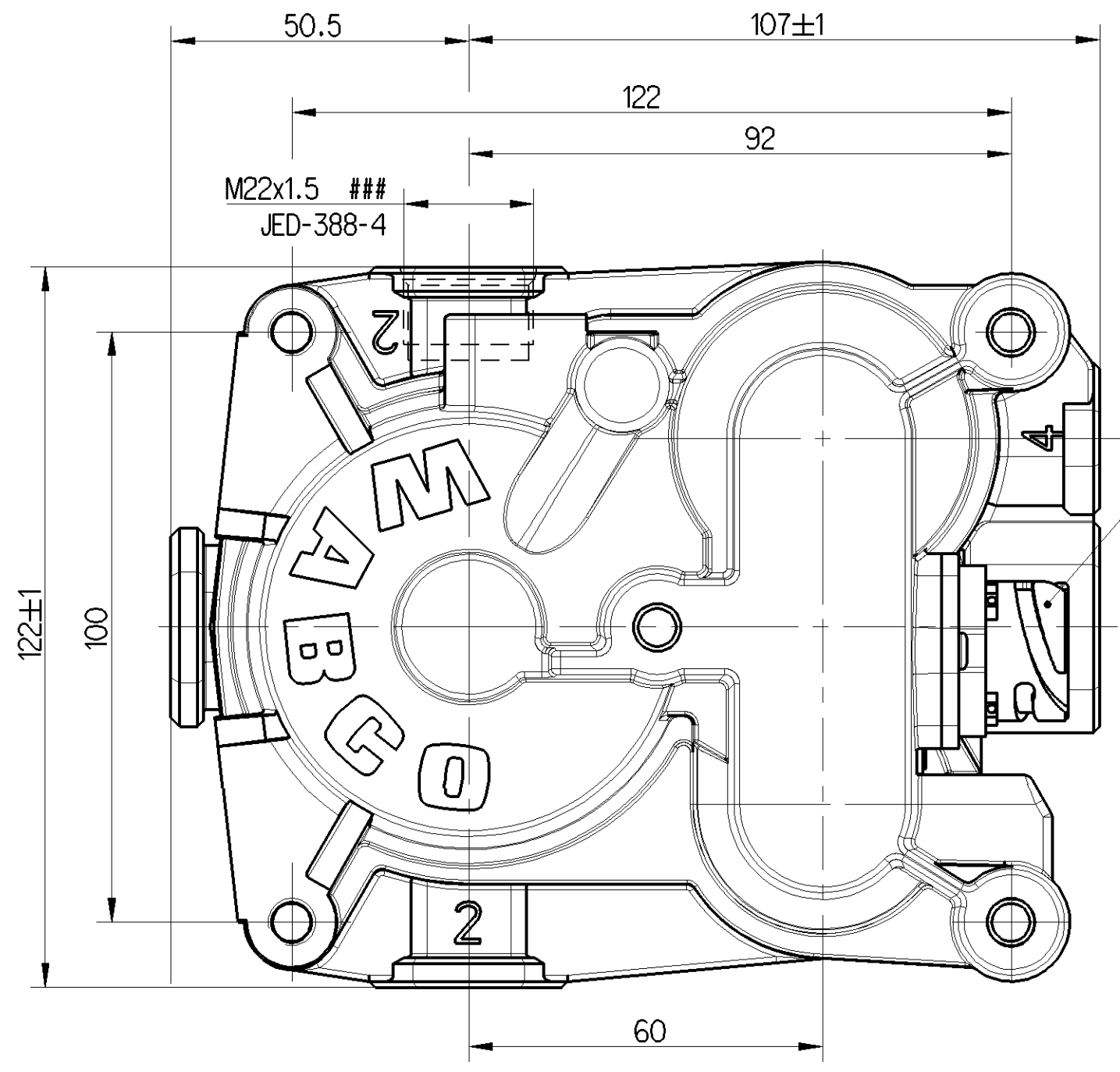
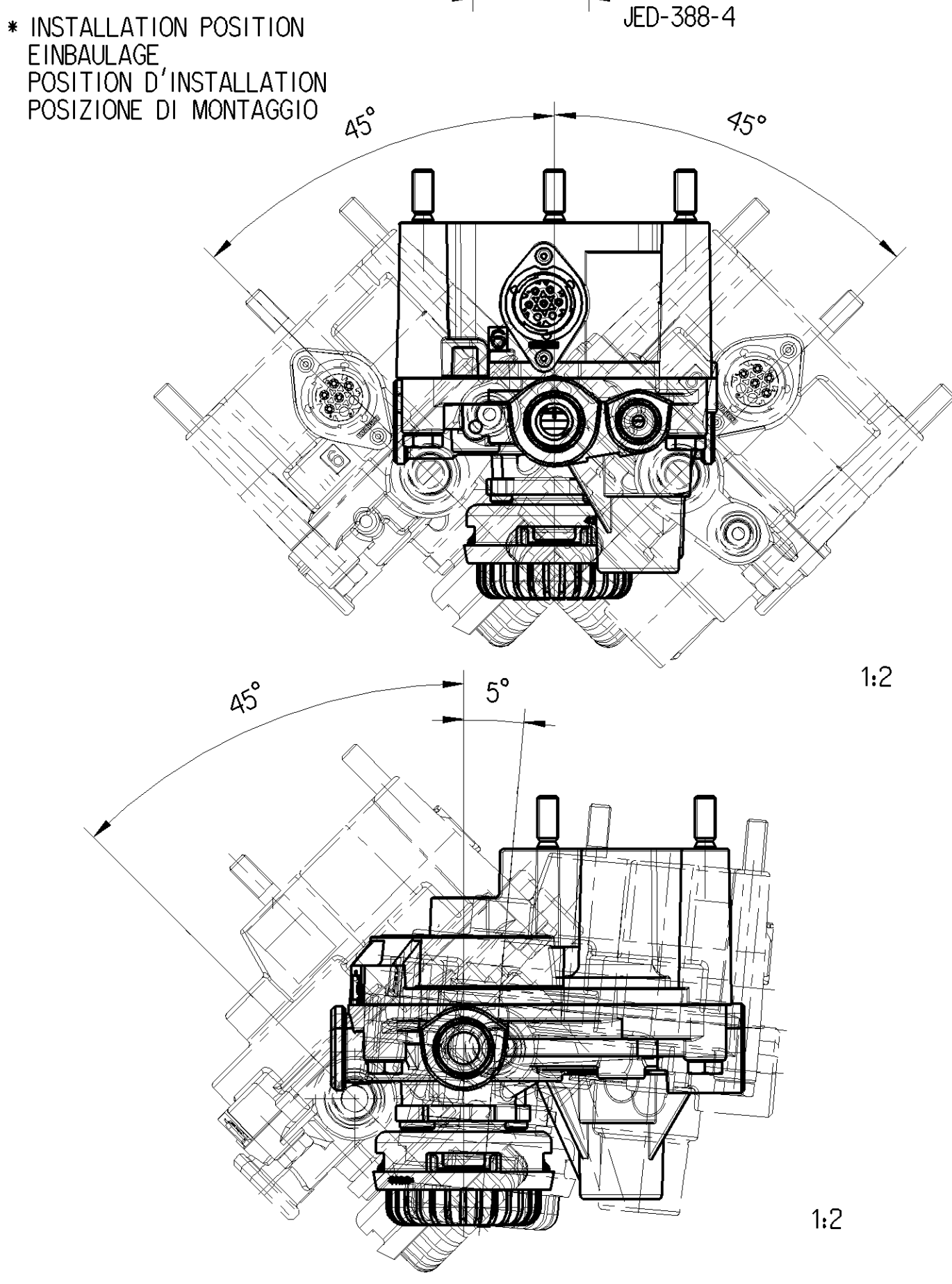


	MATERIAL AND SURFACE PROTECTION MATERIAL UND OBERFLAECHENSCHUTZ MATERIAU ET PROTECTION SUPERFICIELLE MATERIALE E PROTEZIONE SUPERFICIALE	PORT ANSCHLUSS ORIFICE ORIFIZIO	FUNCTION FUNKTION FONCTION FUNZIONE
I	Al JED-029M1 / JED-259	6	
II	PA6.6 JED-359-1		PRESSURE SENSOR, DRUCKSENSOR
III	PA6.6 JED-354-1		CAPTEUR DE PRESSION, SENSORE DI PRESSIONE
IV	Fe JED-051M4 / JED-256.1	6.1	Ue +
V	Cu Ni Si / Gal Sn1 JED-570-516	6.2	GROUND, MASSE, MASSE, MASSA
VI	Fe JED-024M0	6.3	SIGNAL, SIGNAL, SIGNAL, SEGNALE
VII	Al Mg2 Mn0.3		
VIII	Al JED-077-1 / JED-007-1 ©		SOLENOID, MAGNET, AIMANT, SOLENOIDE
IX		6.4	HIGH, HIGH, HIGH, ALTO
X		6.5	LOW, LOW, LOW, BASSO



CONNECTION CLOSED
ANSCHLUSS GESCHLOSSEN
CONNEXION FERME
CONNESSIONE CHIUSO

- MANUFACTURING PLANT : JED-225
 - DATE OF MANUFACTURE (wyyy) : JED-226
 - IDENTIFICATION NUMBER
 - CUSTOMER NO.
 - INSPECTION MARK : E1 10 R - 031551
- 1 SUPPLY
 - 2 DELIVERY
 - 3 EXHAUST
 - 4 BACK UP PORT
 - 6 ELECTRICAL CONTROL



	#
MAX. TORQUE MAX. ANZUGSMOMENT COUPLE MAXI DE SERRAGE COPPIA MASSIMA DI SERRAGGIO	26 Nm

	#	##	###
FOR THREAD PERMISSIBLE FUER GEWINDE ZULAESSIG POUR FILETTAGE ADMISE PER FILETTATURA AMMESSA	M16	M22	
TORQUE ACCORDING TO JED-366 ANZUGSMOMENT ENTSPRECHEND JED-366 COUPLE DE SERRAGE SUIVANT JED-366 COPPIA DI SERRAGGIO SECONDO JED-366	MAX. 34 Nm	MAX. 53 Nm	

General Specifications: JED-354-0 - Size ISO 14405-1 E

Further Technical Data: 480 202 009 0

Doc. Code: 035 | Sheets: 1 To 24

Copyright WABCO®

Date: 2014-07-25 | Drawn: Ohe

Checked: 2014-08-01 | Expert: Klostermann

Material No.: 480 202 009 0

Date of first issue: 2007-09-12

Doc. Code: 005 | Language: ML | Sheet: 1/2

Scale: 1:1

Size: A 1 | Pro/E

ECR No.: 163947 | Revision: 6 x C | Techn. Resp.: 6810

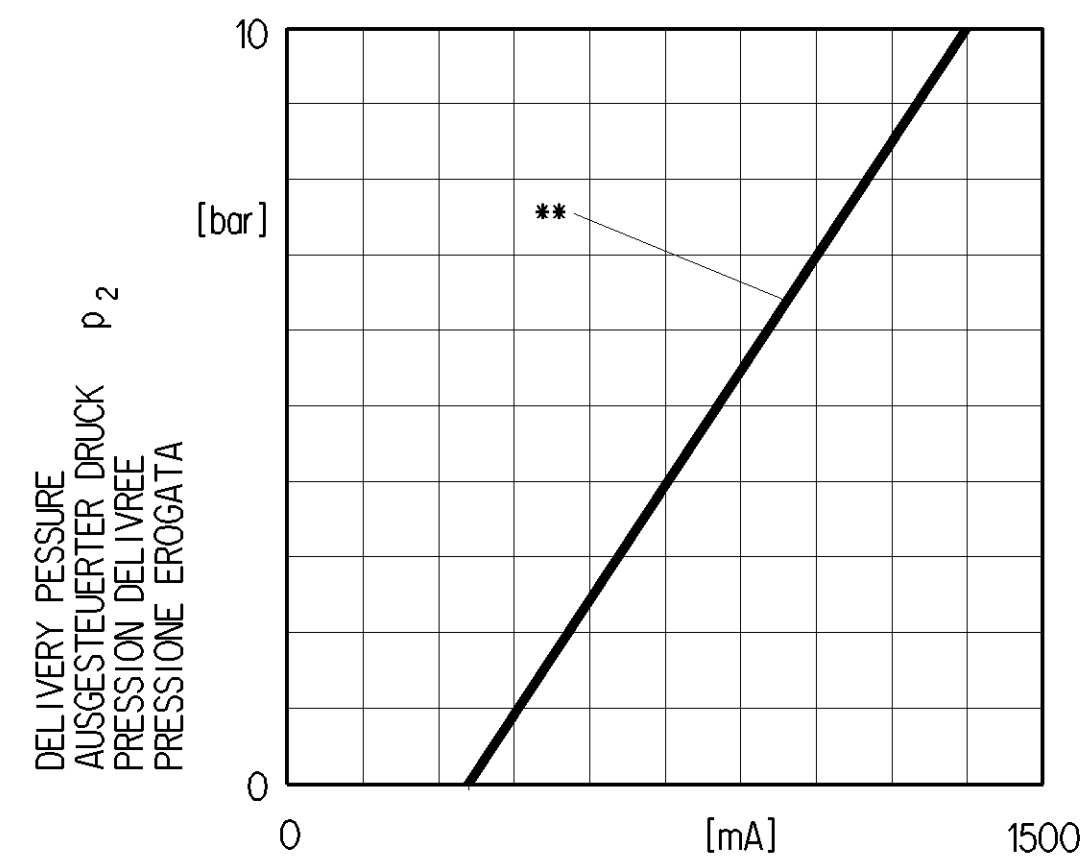
Replaced for: -

Non e' permesso copiare o riprodurre questo documento, ne utilizzare i contenuti o i dati, senza permesso scritto dalla WABCO. Toute reproduction ou utilisation de ce document, sans autorisation écrite de la WABCO, est formellement interdite. All rights reserved. No part of this document may be reproduced, stored in a retrieval system, or transmitted, in any form or by any means, electronic, mechanical, photocopying, recording, or by any information storage and retrieval system, without the prior written permission of WABCO.

THE VALVE CORRESPONDS TO THE REGULATIONS FOR ELECTROMAGNETIC DEVICES ACCORDING TO VDE 0580
 GERAET ENTSPRICHT DEN BESTIMMUNGEN FUER ELEKTROMAGNETISCHE GERAETE NACH VDE 0580
 LA VALVE CORRESPOND AUX CONDITIONS POUR DES APPAREILS ELECTROMAGNETIQUES SUIVANT VDE 0580
 LA VALVOLA CORRISPONDE ALLE CONDIZIONI PER APPARECCHI ELETTROMAGNETICI SECONDO VDE 0580

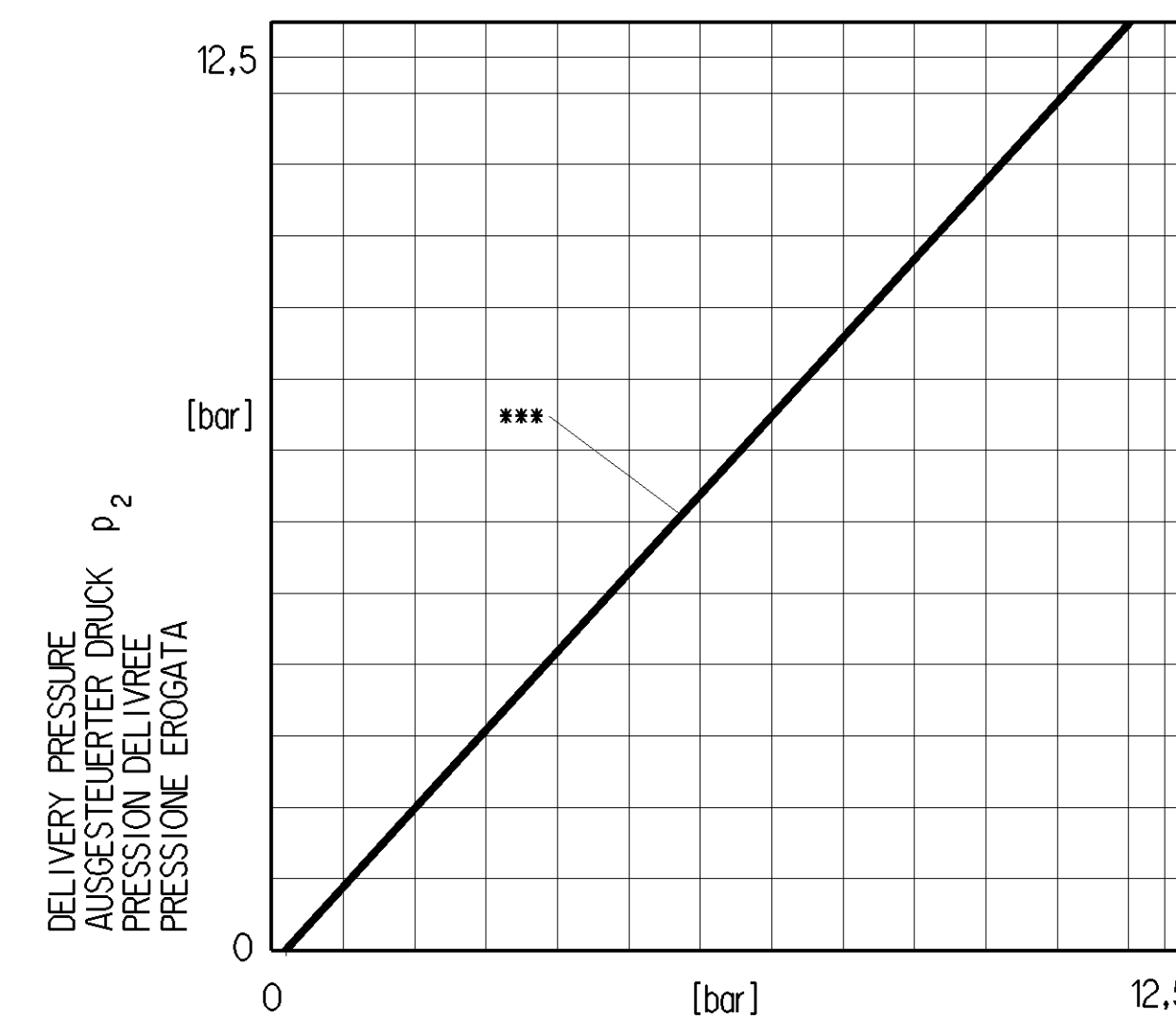
- 1.1 WORKING MEDIUM : AIR (CONTAINING WATER, OIL AND ALCOHOL)
 ARBEITSMEDIUM : LUFT (WASSER-, OEL- UND ALKOHOLHALTIG)
 FLUIDE D'UTILISATION: AIR (CHARGE D'EAU, D'HUILE ET D'ALCOOL)
 FLUIDO DI ESERCIZIO : ARIA (CONTENENTE ACQUA, OLIO ED ALCOOL)
- 1.2 AMBIENT ENVIRONMENT: AIR (CONTAINING WATER, SALT, DUST AND OIL)
 UMGEBUNGSMEDIUM : LUFT (WASSER-, SALZ-, STAUB- UND OELHALTIG)
 FLUIDE AMBIENT : AIR (CHARGE D'EAU, DE SEL, DE POUSSIERE ET D'HUILE)
 FLUIDO AMBIENTE : ARIA (CONTENENTE ACQUA, SALE, POLVERO ED OLIO)
- 2.1 THERMAL RANGE OF APPLICATION UNDER NORMAL AMBIANT CONDITIONS :
 THERMISCHER ANWENDBEREICH UNTER NORMALEN UMGEBUNGSBEDINGUNGEN: -40°...+80°C
 PLAGE DE TEMPERATURE EN UTILISATION CONTINUE DE :
 CAMPO D'APPLICAZIONE TERMICA NELLE NORMALI CONDIZIONE AMBIENTALI :
- 2.2 SHORT TERM RESISTANCE TO HEAT : WITHOUT FUNCTION
 KURZZEITIGE WAERMEBESTAENDIGKEIT : +110°C OHNE FUNKTION
 RESISTANCE THERMIQUE TEMPORAIRE : (p₁ = 0 bar, max. 1h) SANS FONCTION
 RESISTANZA TERMICA PER BREVE PERIODO: SENZA FUNZIONE
- 3.1 WORKING PRESSURE (SUPPLY) :
 BETRIEBSDRUCK (VORRAT) : p₁ = 5...12,5 bar
 PRESSION D'UTILISATION (ALIMENTATION) :
 PRESSIONE DI ESERCIZIO (ALIMENTAZIONE) :
- 3.2 MAX. PERMISSIBLE WORKING PRESSURE (WITHOUT FUNCTION) (SUPPLY) :
 MAX. ZULAESSIGER BETRIEBSDRUCK (OHNE FUNKTION) (VORRAT) : p₁ = 13 bar
 PRESSION D'UTILISATION MAXI ADMISSIBLE (SANS FONCTION) (ALIMENTATION) :
 PRESSIONE DI ESERCIZIO MAX. AMMISSIBILE (SENZA FUNZIONE) (ALIMENTAZIONE) :
- 3.3 OUTPUT PRESSURE :
 AUSGANGSDRUCK : p₂ = 10 bar / ED = 100%
 PRESSION DE SORTIE :
 PRESSIONE D'USCITA :
- 4 MIN. FLOW PASSAGE / NOMINAL DIAMETER : PORT 1 - 2 :
 MIN. DURCHFLUSSOEFFNUNG / NENNWEITE : ANSCHLUSS 1 - 2 : 78.5 mm² / NW 10
 MIN. ORIFICE CALIBRE / DIAMETRE NOMINAL : ORIFICE 1 - 2 :
 MIN. PASSAGIO LIBERO / DIAMETRO NOMINALE: ORIFIZIO 1 - 2 :
 PORT 2 - 3 :
 ANSCHLUSS 2 - 3 : 78.5 mm² / NW 10
 ORIFICE 2 - 3 :
 ORIFIZIO 2 - 3 :
- 5 VOLTAGE :
 SPANNUNG : 24 +/-6.5 V
 TENSION :
 TENSIONE :
- 5.1 MAX. CONTINUOUS VOLTAGE BETWEEN PORTS 6.4 AND 6.5 : 8 V
 MAX. DAUERSPANNUNG ZWISCHEN ANSCHLUSS 6.4 UND 6.5 : 8 V
 TENSION PERMANENTE MAX. ENTRE ORIFICE 6.4 ET 6.5 : 8 V
 TENSIONE PERMANENTE MAX. FRA ORIFICIO 6.4 E 6.5 : 8 V
- 6 MAX. CURRENT (SOLENOID) : DIRECT CURRENT
 MAX. STROM (MAGNET) : I_{max} = 1.4 A GLEICHSTROM
 COURANT MAX. (AIMANT) : COURANT CONTINU
 CORRENTE MAX. (SOLENOIDE) : CORRENTE CONTINUA
- 7 DEGREE OF PROTECTION : COMPLETE DEVICE WITH MOUNTED COUPLING : IP 6K 6K, IP 6K 9K
 SCHUTZART : KOMPLETTES GERAET MIT MONTIERTER KUPPLUNG :
 DEGRE DE PROTECTION : APPAREIL COMPLET AVEC L' ACCOUPLEMENT MONTE :
 GRADO DI PROTEZIONE : APPARECCHIO COMPLETO CON ACCOPPIAMENTO MONTATO :
 ELECTRICTERMINALS WITH MOUNTED COUPLING :
 ELEKTRISCHE ANSCHLUESSE MIT MONTIERTER KUPPLUNG : IP 6K 7
 BORNES ELECTRIQUES AVEC L' ACCOUPLEMENT MONTE :
 TERMINALI ELETTRICI CON ACCOPPIAMENTO MONTATO :
- 8 PROTECTION CLASS :
 SCHUTZKLASSE : IIII
 CLASSE DE PROTECTION:
 CLASSE DI PROTEZIONE:

FURTHER TECHNICAL DATA SEE PRODUCT SPECIFICATION.
 WEITERE TECHNISCHE DATEN SIEHE PRODUKT SPEZIFIKATION.
 POUR INFORMATION COMPLEMENTAIRES VOIR LES SPECIFICATIONS DU PRODUIT.
 PER INFORMAZIONI ULTERIORI VEDI LA SPEZIFICAZIONE DEL PRODOTTO.

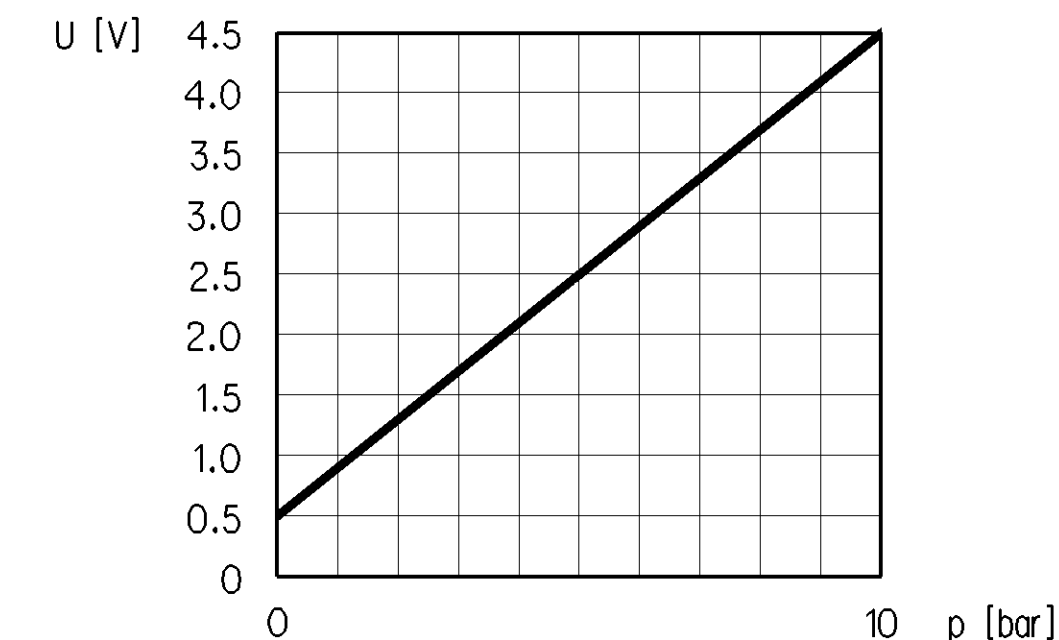


- ** CHARACTERISTIC CURVE : FAILURE OF BACK UP PORT 4
 KENNLINIE : AUSFALL DES REDUNDANZANSCHLUSSES 4
 COURBE CARACTERISTIQUE : DEFAILLANCE DE REDONDANCE 4
 CURVA CARATTERISTICA : DIFETTO DELL' ATTACCO DI RIDONDANZA 4
- *** CHARACTERISTIC CURVE : FAILURE OF ELECTRICAL CONTROL 6
 KENNLINIE : AUSFALL DES STEUERANSCHLUSSES 6
 COURBE CARACTERISTIQUE : DEFAILLANCE DU COMMANDE ELECTRIQUE 6
 CURVA CARATTERISTICA : DIFETTO DEL COMANDO ELETTRICO 6

CURRENT AT SOLENOID
 MAGNETSTROM
 COURANT ELETRO-AIMANT
 CORRENTE ATTRAVERSO L' ELETTRIMAGNETE I₆



CHARACTERISTIC CURVE PRESSURE SENSOR
 KENNLINIE DRUCKSENSOR
 COURBE CARACTERISTIQUE CAPTEUR DE PRESSION
 CURVA CARATTERISTICA SENSORE DI PRESSIONE



CONTROL PRESSURE
 STEUERDRUCK
 PRESSION DE COMMANDE
 PRESSIONE DI COMANDO p₄

Non è permesso copiare o riprodurre questo documento, né utilizzare il contenuto o i dati contenuti in esso, senza permesso scritto dalla WABCO. Il presente documento è riservato ai clienti WABCO. Toute réimpression ou reproduction de ce document, toute exploitation ou communication de son contenu sont interdites, sauf autorisation écrite de la WABCO. Toute utilisation non autorisée de ce document est formellement interdite. All rights reserved. Copying of this document and giving it to others and the use or communication of the contents thereof, are forbidden without express authority. Communication of this restriction will constitute an express abuse and result in a liability, to the extent of damages, of rights reserved for the owner of the patent or copyright in the design of the apparatus or the design of the apparatus.

General Specifications: JED-334-0 - Size ISO 14405-1 E		Copyright WABCO®	
Further Technical Data:		Date	Signature
Doc. Code:	Sheet: To	2014-07-25	Ole
General Tolerances JED-261		Checked	
Range of Nominal Dimensions (± mm)		2014-08-01	Klostermann
		Expert	
		Expert	Klostermann
Class 1)	≤ 50 > 50 ≤ 180 > 180 > 400	Mass	Scale
Fine	0.5 1.0 1.5 2.0	2.2	
Medium	1.0 2.0 3.0 4.0	1/16	
Coarse	2.0 3.5 5.0 6.5	Size	CAD System
Tapped Holes acc.		A 1	Pro/E
1) Tolerance Class Applied Crossmarked		ECN No.	Revision
		163947	C
		Techn. Resp.	6810
		Material No.	480 202 009 0
		Date of first issue	2007-09-12
		Doc. Code	005
		Language	ML
		Sheet	2/2
		Replaces for	

WABCO

PROPORTIONAL RELAY VALVE
 PROPORTIONAL-RELAISVENTIL
 VALVE RELAIS PROPORTIONNELLE
 PROPORZIONALE VALVOLA RELE