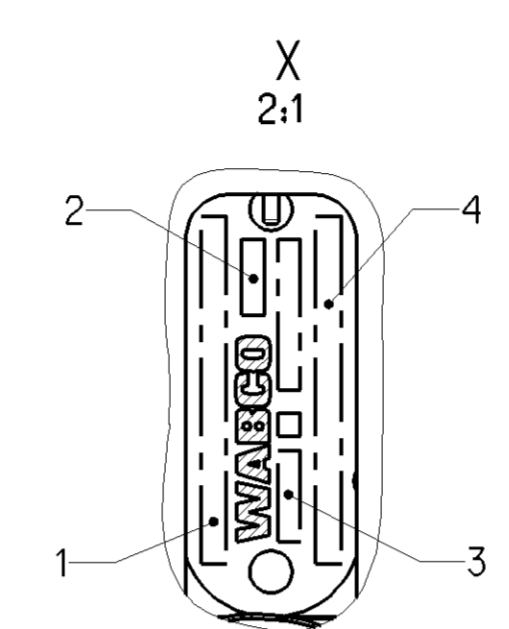
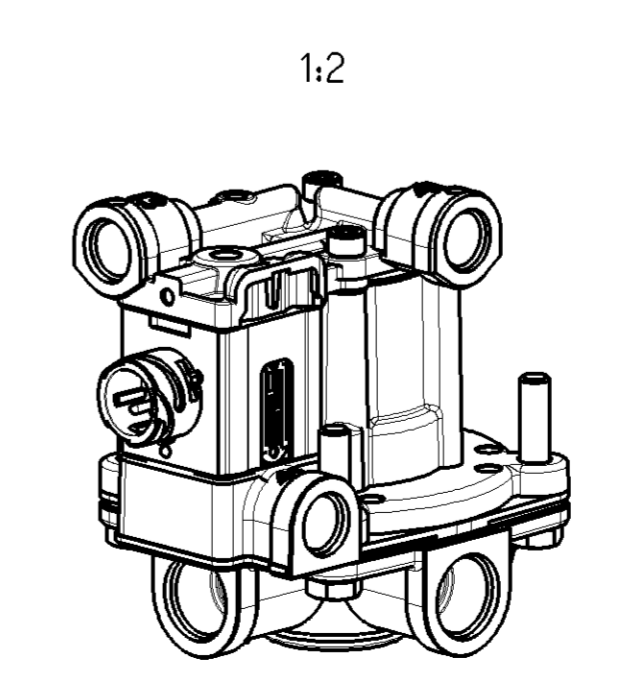
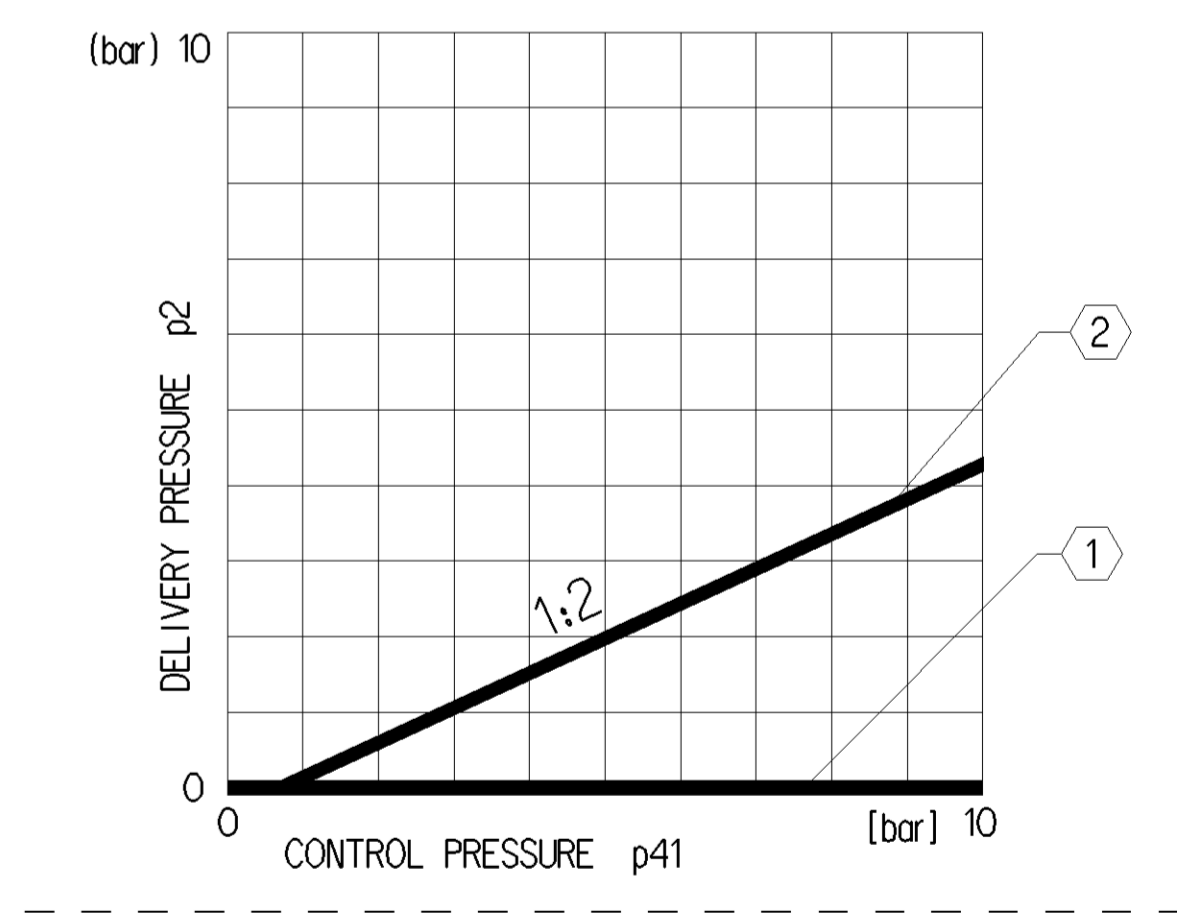
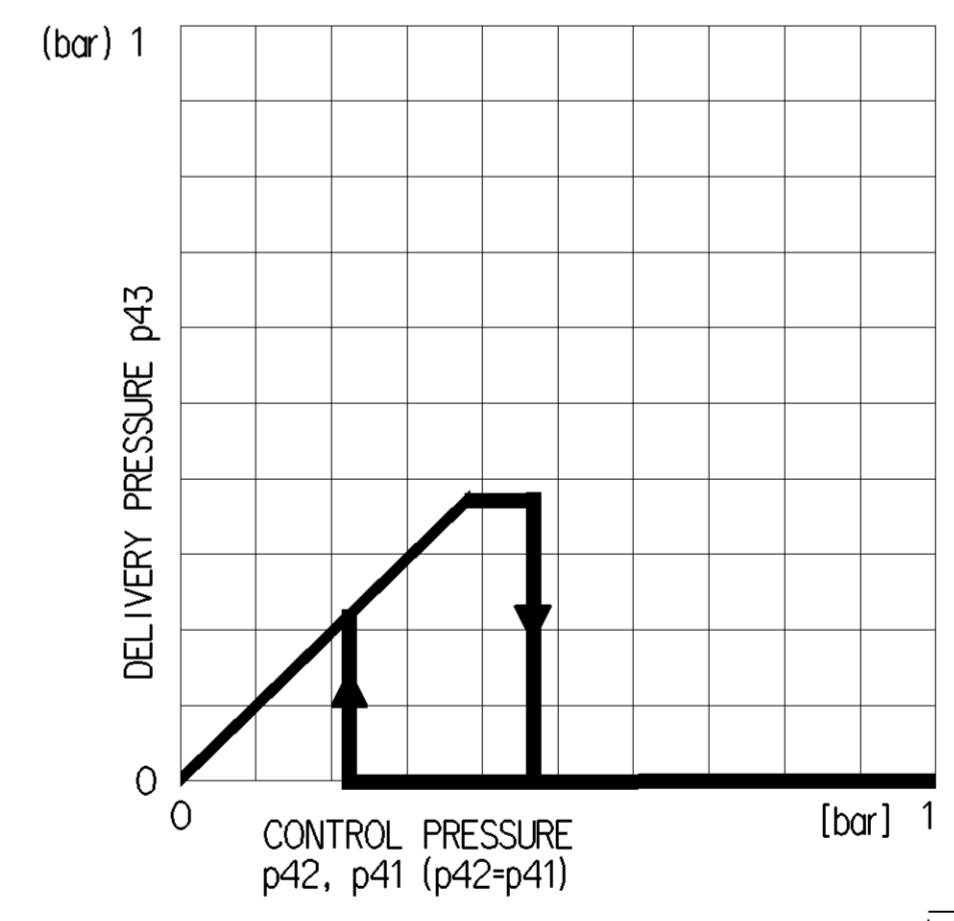


DEGREE OF PROTECTION ACC. IEC 529	COMPLETE DEVICE	IP 66, IP 69K	MARKING OF PORTS		TORQUE
	ELECTRIC TERMINALS WITH MOUNTED COUPLING	IP 67	<b>1</b>	SUPPLY	Mmax. = 53Nm
PROTECTION CLASS		III	<b>2</b>	DELIVERY OF ENERGY	Mmax. = 53Nm
PERMISSIBLE INSTALLATION		±45°	<b>3</b>	EXHAUST	-
THE VALVE CORRESPONDS TO THE REGULATIONS FOR ELECTROMAGNETIC DEVICES ACCORDING TO		VDE 0580	<b>41, 42, 43</b>	CONTROL	Mmax. = 34Nm
FOR FURTHER TECHNICAL DATA SEE PRODUCT SPECIFICATION			<b>6</b>	ELECTRICAL CONTROL (MAGNET)	



- (1) CUSTOMER NO. OR COUNTRY OF ORIGIN OR BLANK
- (2) MANUFACTURING PLANT JED-225
- (3) WEEK / YEAR OF MANUFACTURE
- (4) WABCO-DEVICE NUMBER

WORKING MEDIUM	AIR (WATER-, OIL AND ALCOHOL CONTAINING)	
WORKING ENVIRONMENT	AIR (CONTAINING WATER, SALT, DUST AND OIL)	
THERMAL RANGE OF APPLICATION UNDER NORMAL AMBIANT CONDITIONS	-40°...+80°C	
SHORT TERM RESISTANCE TO HEAT	+110°C (p1= 0 bar, max.th)	
WORKING PRESSURE	MAX. pe 10.2 bar	
SUPPLY PRESSURE	MAX. pe 13 bar	
SOCKET	DIN 72585 1A 2.1-SN / K2	
VOLTAGE	14.5 ... 30.5 V	
TYPE OF CURRENT	DIRECT CURRENT	
SERVICE CONDITION	INTERMITTENT SERVICE	
CHARACTERISTIC	①	p42 > 0.2 bar
	②	p42 < 0.6 bar



General Specifications: JED-334-1 - Size ISO 14405 LP

Copyright WABCO®

Doc. Code: Sheet: To: Date: 2017-11-29

General Tolerances JED-261

Class	1)	≤ 50	> 50	> 180	> 400	Δ
Fine	X	0.5	1.0	1.5	2.0	±3°
Coarse		2.0	3.5	5.0	6.5	

1) Tolerance Class Applied Crossmarked

Mass: 1.2 kg

Scale: 1:1 (1:2)

Material No.: 480 205 001 0

Date of first issue: 2018-02-02

Doc. Code: 005 EN 1/1

Replacement for: 480 205 000 0 / 12-05-08

100mm

Tutti i diritti sono riservati. È vietata espressamente la ristampa o l'uso non autorizzato senza permesso scritto dalla WABCO. È vietata espressamente la ristampa o l'uso non autorizzato senza permesso scritto dalla WABCO. È vietata espressamente la ristampa o l'uso non autorizzato senza permesso scritto dalla WABCO. È vietata espressamente la ristampa o l'uso non autorizzato senza permesso scritto dalla WABCO.