

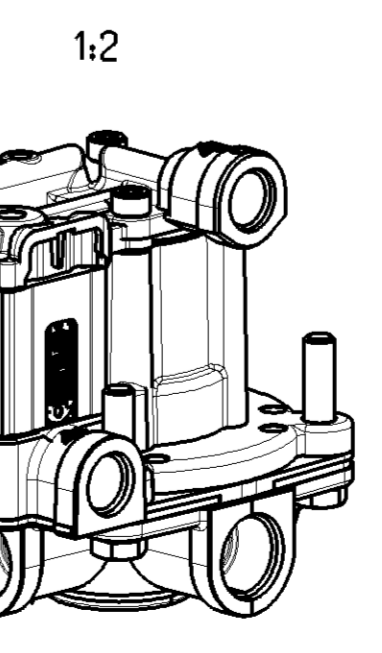
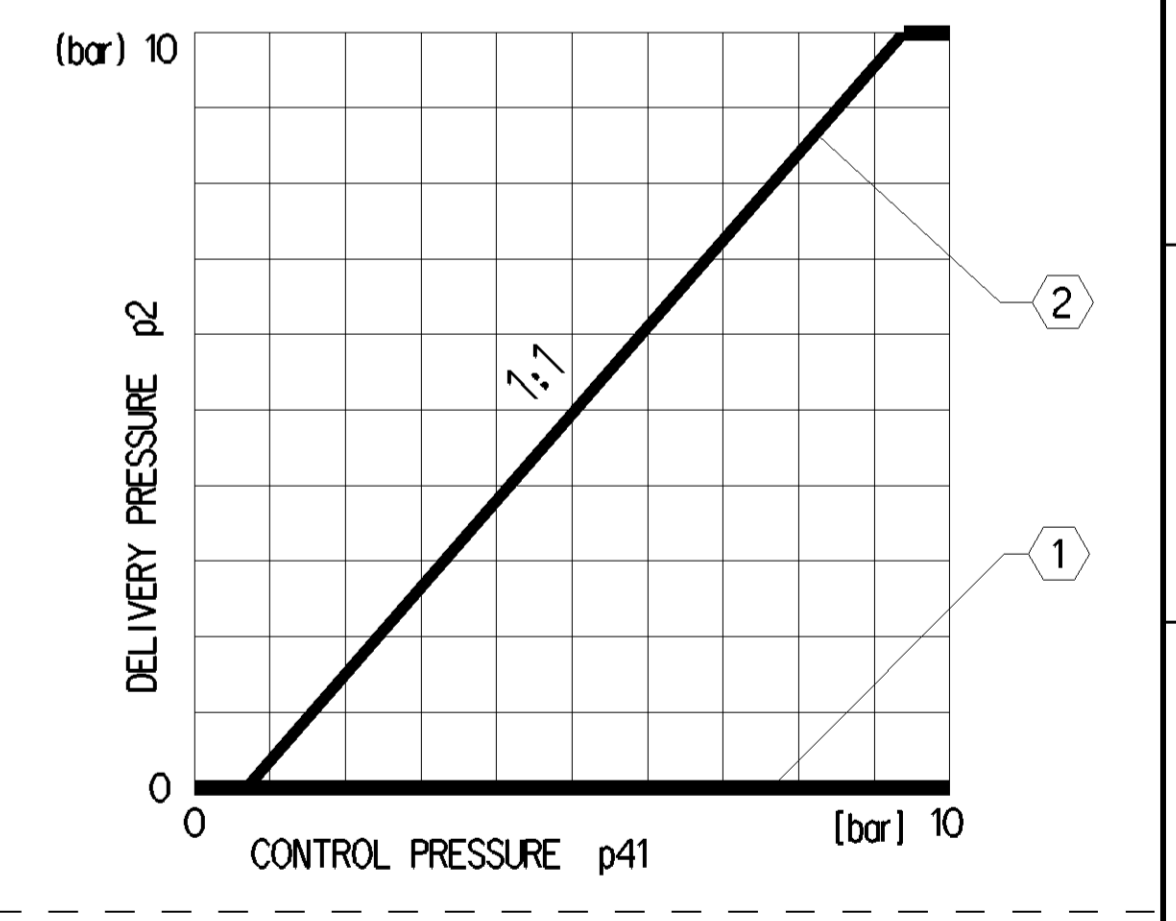
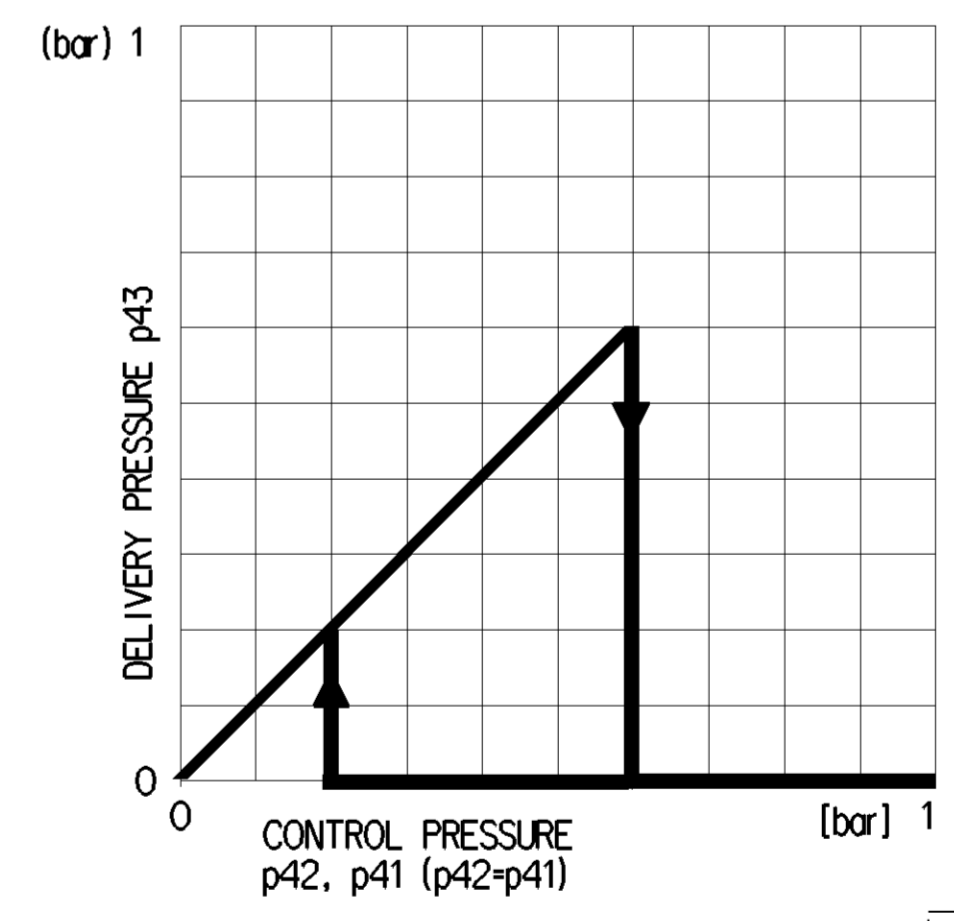
DEGREE OF PROTECTION ACC. IEC 529	COMPLETE DEVICE	IP 66, IP 69K	MARKING OF PORTS		TORQUE
	ELECTRIC TERMINALS WITH MOUNTED COUPLING	IP 67	1	SUPPLY	Mmax. = 53Nm
PROTECTION CLASS		III	2	DELIVERY OF ENERGY	Mmax. = 53Nm
PERMISSIBLE INSTALLATION		±45°	3	EXHAUST	-
THE VALVE CORRESPONDS TO THE REGULATIONS FOR ELECTROMAGNETIC DEVICES ACCORDING TO		VDE 0580	41, 42, 43	CONTROL	Mmax. = 34Nm
FOR FURTHER TECHNICAL DATA SEE PRODUCT SPECIFICATION			6	ELECTRICAL CONTROL (MAGNET)	

- (1) CUSTOMER NO. OR COUNTRY OF ORIGIN OR BLANK
- (2) MANUFACTURING PLANT JED-225
- (3) WEEK / YEAR OF MANUFACTURE
- (4) WABCO-DEVICE NUMBER

MATERIAL		SURFACE PROTECTION	
I	Al	JED-029M1	C
II	D X47Cr14	D JED-058M2	D Zn/Fe
III	Fe	JED-051M4	D Zn/Fe
IV	D CuZn	JED-570-616	D Zn/Fe/CrIV
V	D Fe	D JED-051M4	D Zn/Fe/CrIV
VI	NBR	JED-235	
VII	Al	JED-077-1	D Anodic Oxidation
VIII	Fe	JED-021M3	D Zn/Fe
IX	D Pa6.6 GF	JED-559	D Zn/Fe
X	D Fe	JED-020-1	D Zn/Fe
XI	D AlMg5		D JED-259-0

WORKING MEDIUM	AIR (WATER-, OIL AND ALCOHOL CONTAINING)
WORKING ENVIRONMENT	AIR (CONTAINING WATER, SALT, DUST AND OIL)
THERMAL RANGE OF APPLICATION UNDER NORMAL AMBIANT CONDITIONS	-40°...+80°C
SHORT TERM RESISTANCE TO HEAT	+110°C (p1= 0 bar, max.1h)

WORKING PRESSURE	MAX. pe 10.2 bar
SUPPLY PRESSURE	MAX. pe 13 bar
SOCKET	DIN 72585 1A 2.1-SN / K2
VOLTAGE	14.5 ... 30.5 V
TYPE OF CURRENT	DIRECT CURRENT
SERVICE CONDITION	INTERMITTENT SERVICE
CHARACTERISTIC	① p42 > 0.6 bar
	② p42 < 0.2 bar



General Specifications: JED-334-1 - Size ISO 14405 LP
 Further Technical Data: 480 015 010 0
 Doc. Code: 035 Sheet: 1 To: 1

Copyright WABCO®
 Date: 2017-11-29
 2018-02-06
 Kłuczkiewicz

WABCO
3/2 RELAY VALVE

Material No.: 480 205 010 0
 Date of first issue: 1997-07-14
 Doc. Code: 005 EN 1/1

1) Tolerance Class Applied Crossmarked

SAFETY CHARACTERISTICS	0
SIGNIFICANT CHARACTERISTICS	0

Tutti i diritti sono riservati. È vietata espressamente la ristampa o l'uso non autorizzato senza permesso scritto dalla WABCO. È vietata espressamente la ristampa o l'uso non autorizzato senza permesso scritto dalla WABCO. È vietata espressamente la ristampa o l'uso non autorizzato senza permesso scritto dalla WABCO. È vietata espressamente la ristampa o l'uso non autorizzato senza permesso scritto dalla WABCO.