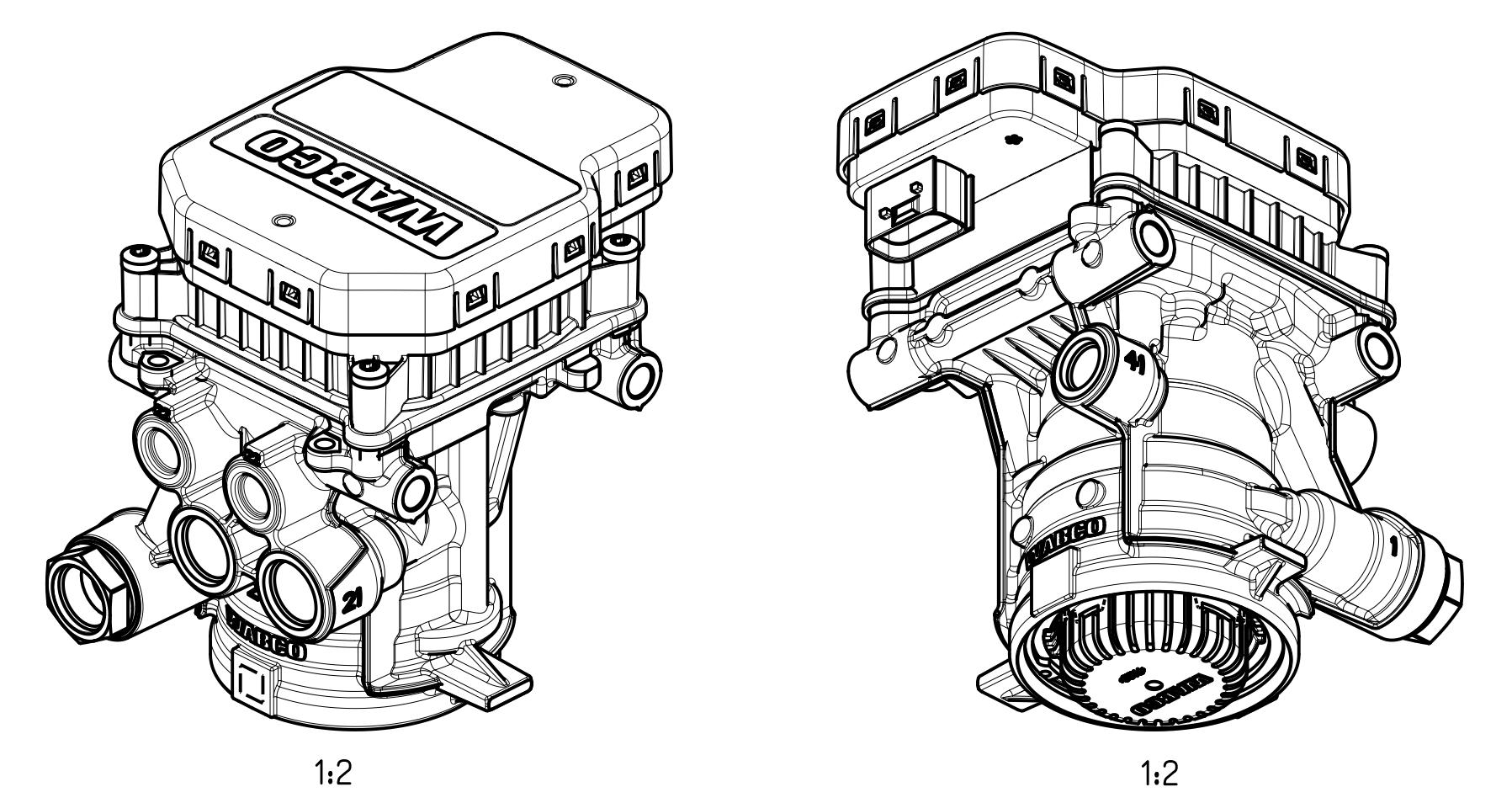
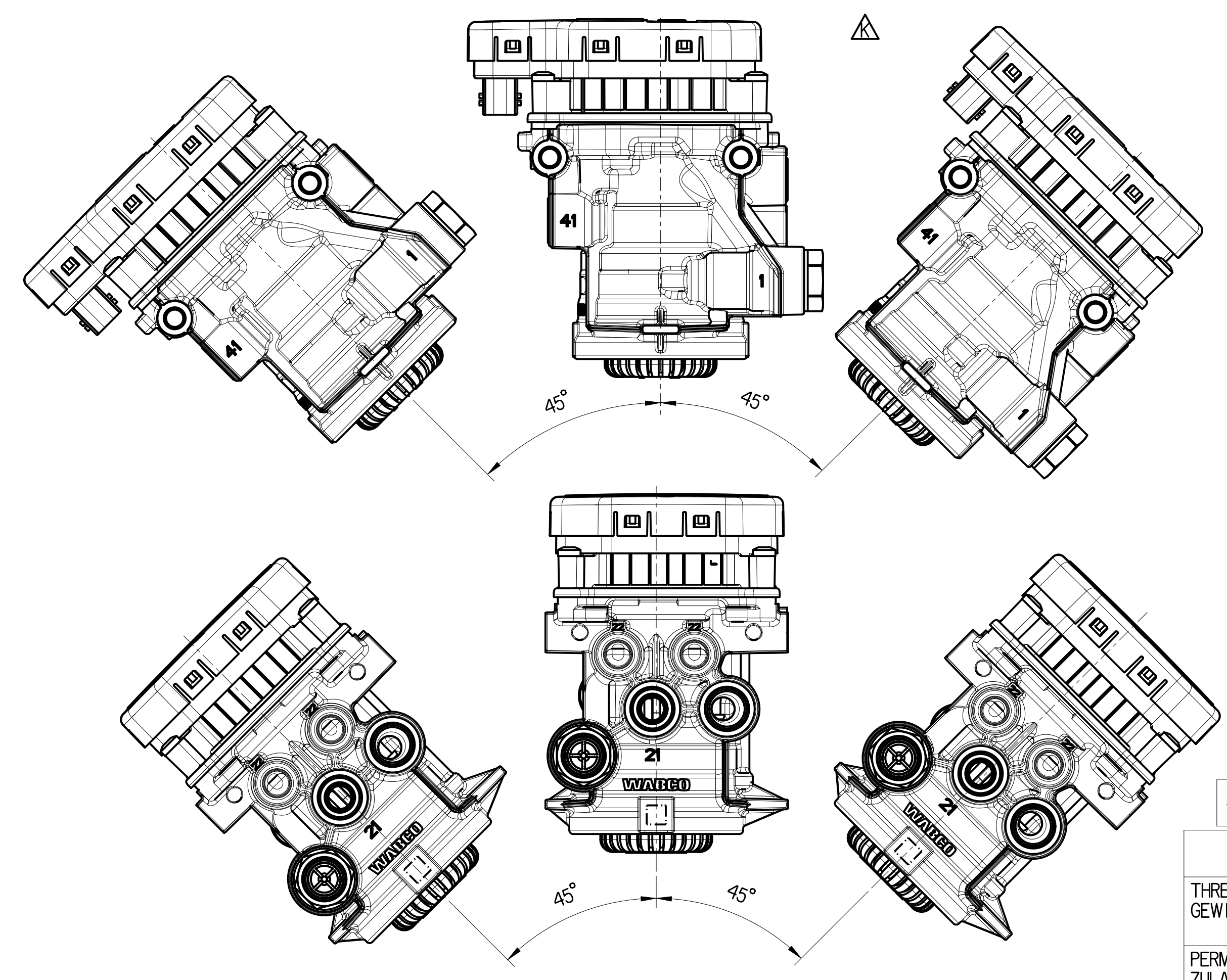
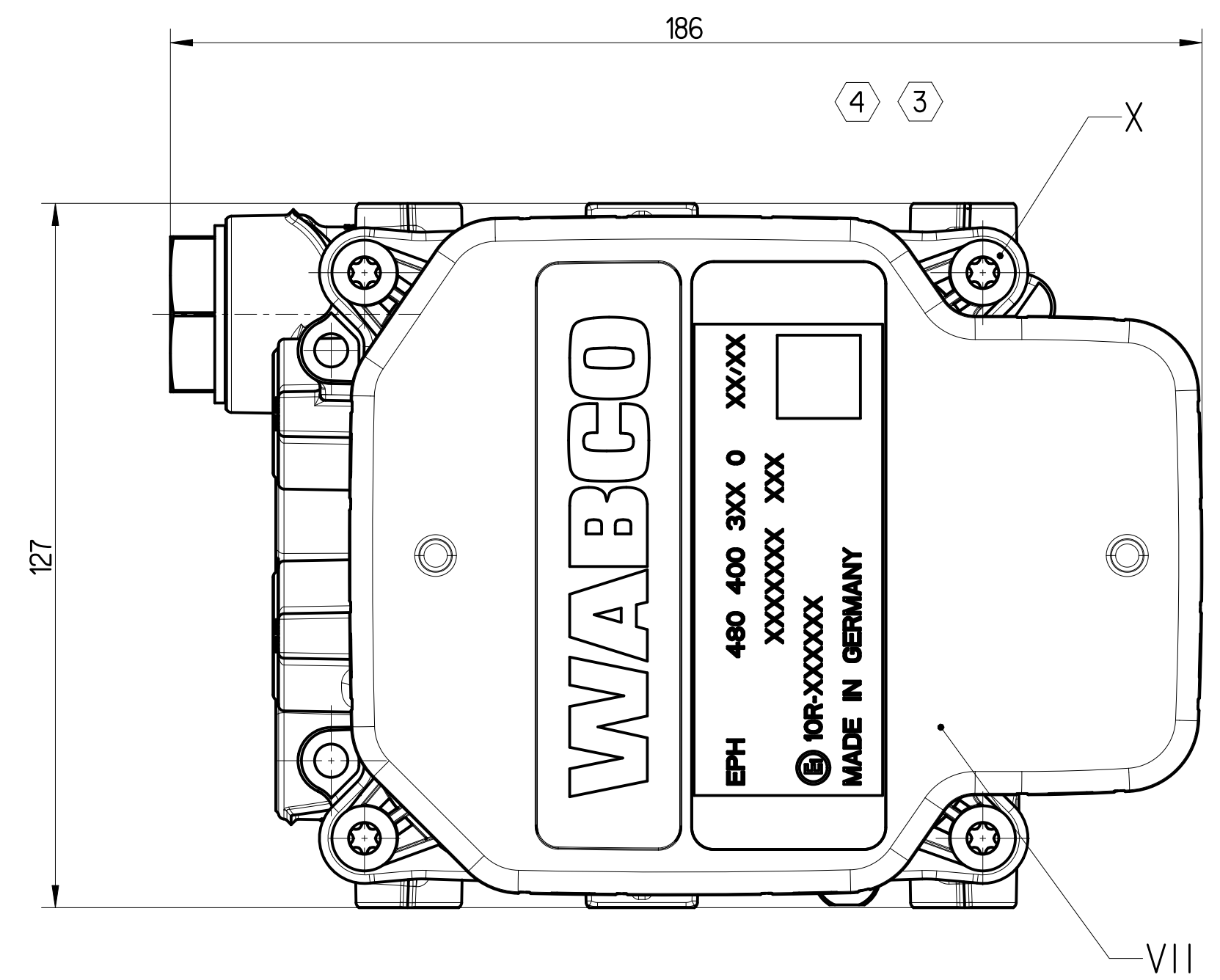
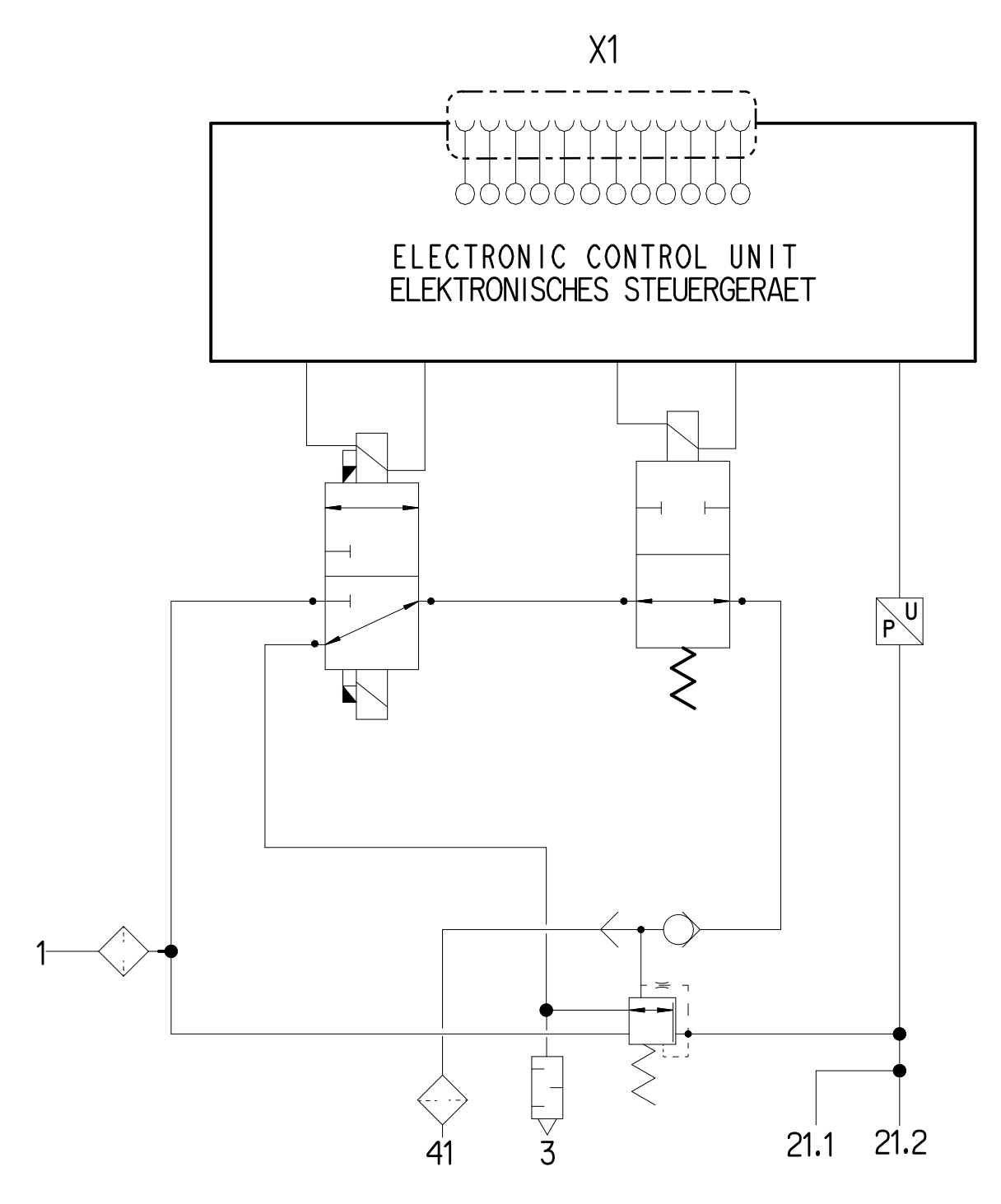
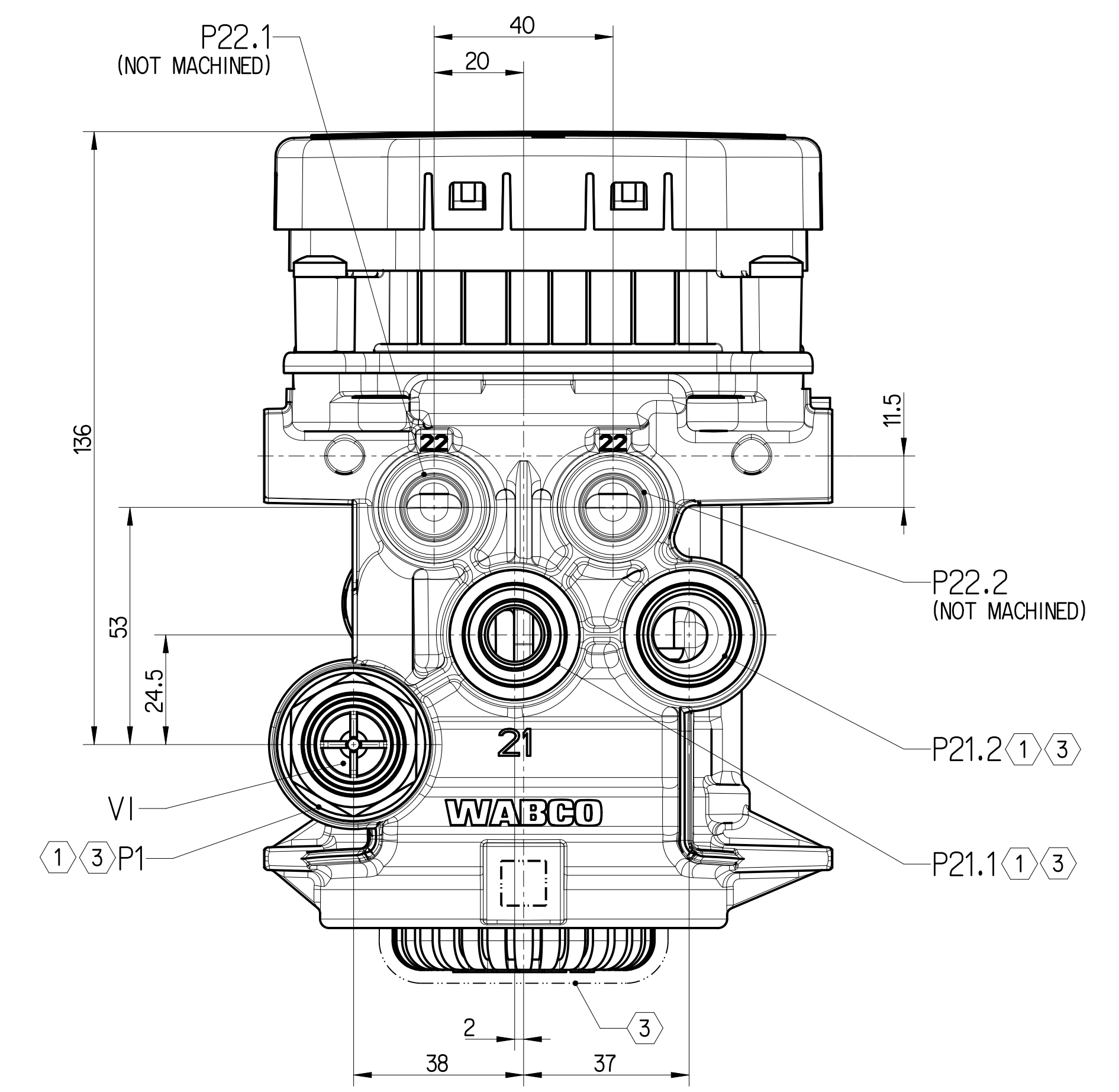
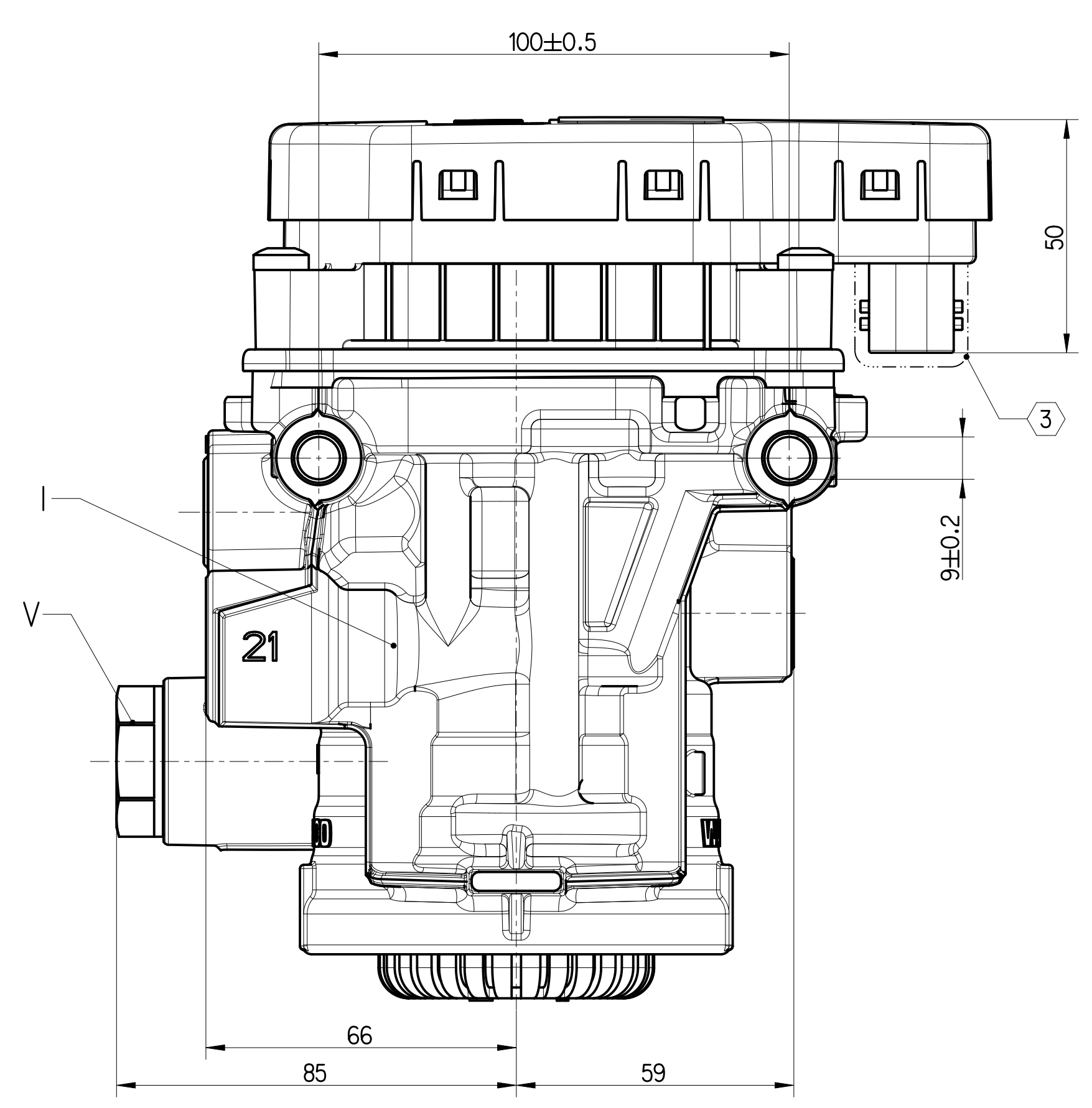
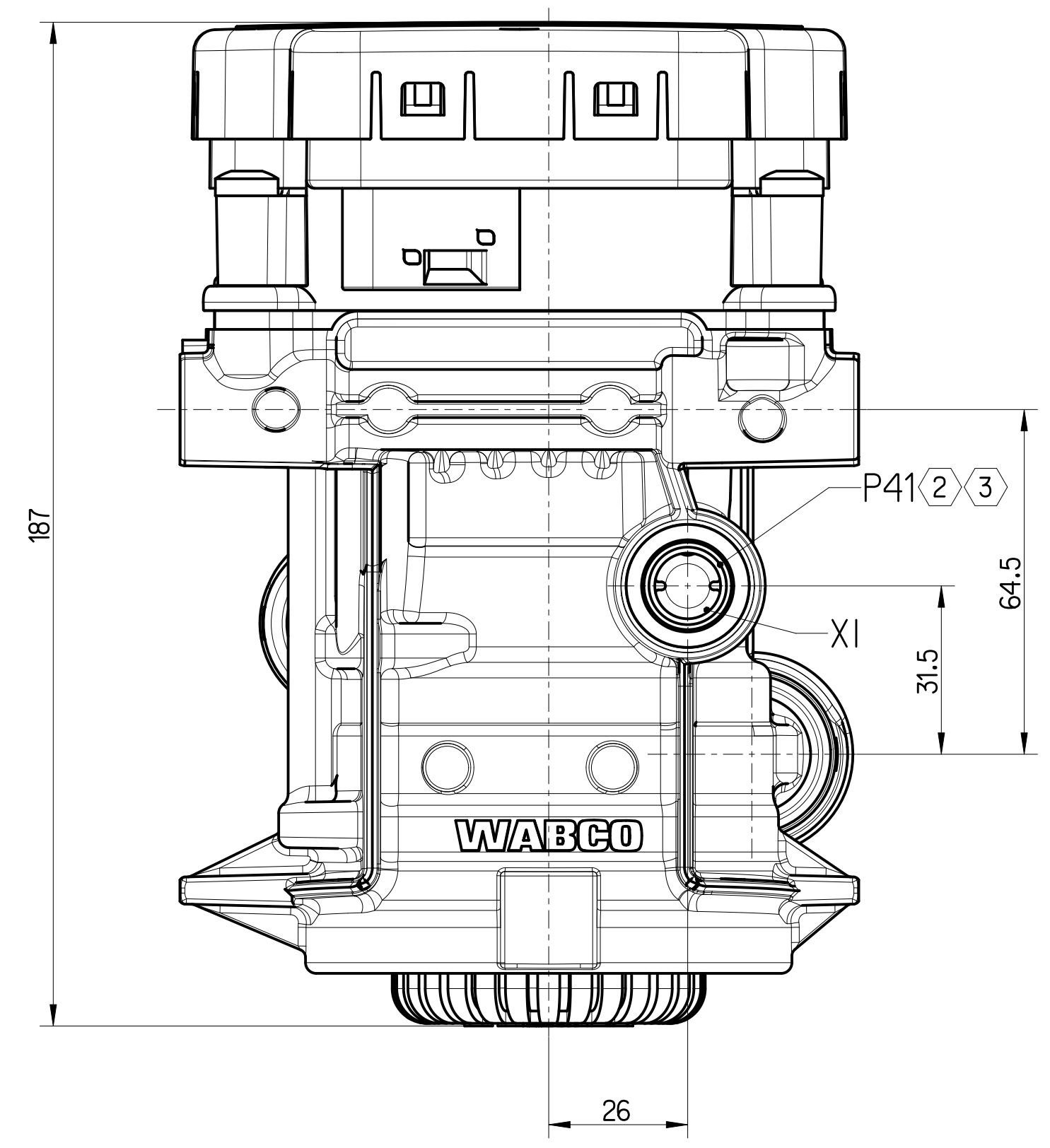
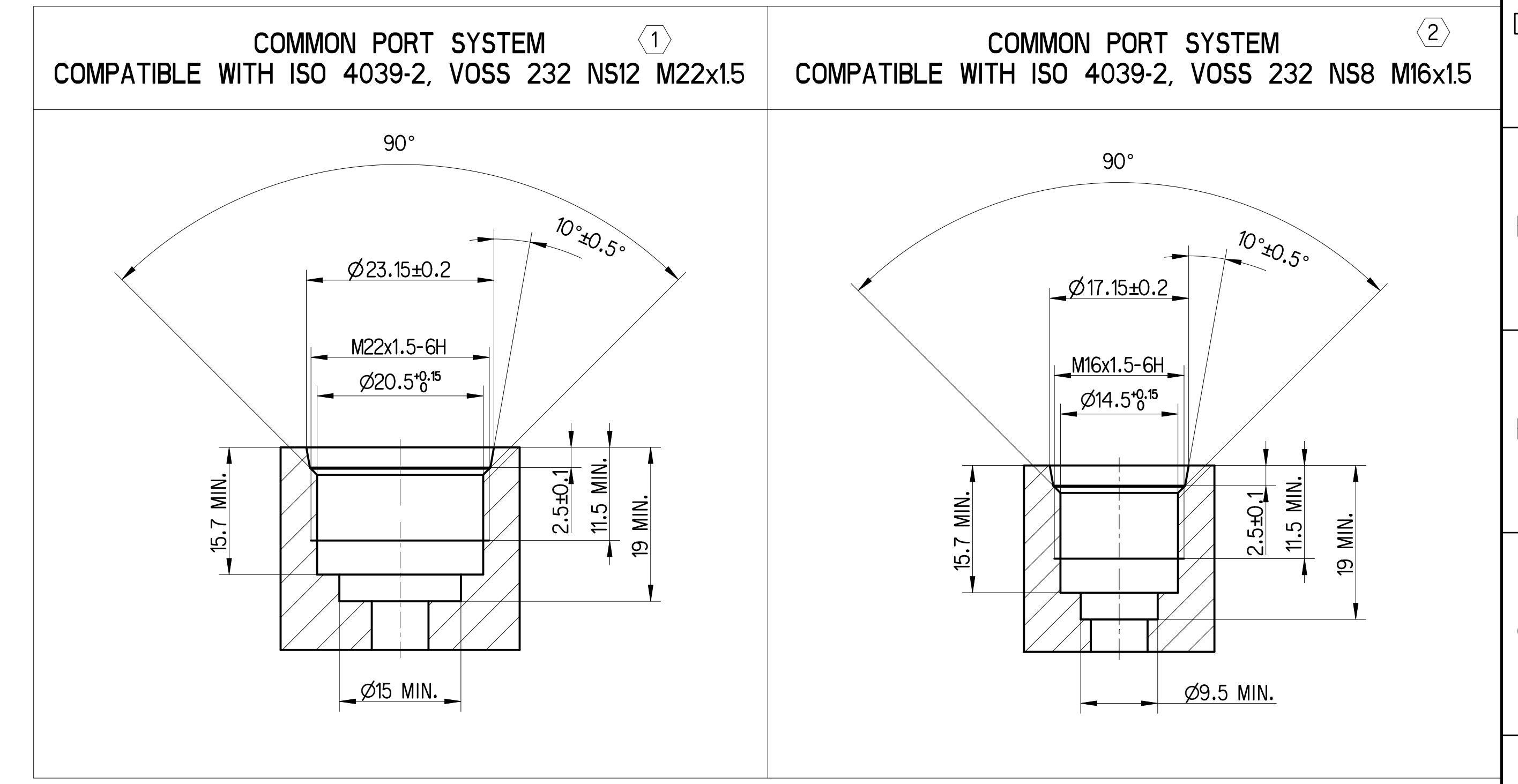


ECU CONNECTOR X1	
CONNECTOR ACCORDING TO INTERFACE DRAWING:	858 000 869 4 DOC-Code 007, Rev. "B"
TYCO-INTERFACE DRAWING:	C-114-18807-1 rev. C1
CODING:	TYCO HDSCS 12x1.5 CODING A
MATING CONNECTOR:	1-1703639-1

Part	Designation	Material	Surface Protection
1	Supply Port	Alu	Passivation
21.1 - 21.2	Delivery Ports	Steel	Zn
22.1	Delivery Ports Closed (Unmachined)	PA 6.6	Black
22.2	Delivery Ports Closed (Unmachined)	PA 6.6	Black
3	Exhaust	Brass	-
4.1	Anti-Compound Emergency Release	PA 6.6 GF25; PA 6.6	White
		PBT, GF30	Black
		PBT, GF30	Black
		Cu/Zn/Si	Sn
		Steel	-
		PA 6.6; PA6.6	White



COVER WHEN PAINTING ON THE VEHICLE
BEI LACKIERUNG IM FAHRZEUG ABDECKEN

THREAD TYPE	①	②	General Specifications: ISO 8015, JED-534-1, Size ISO 14405 LP	
GEWINDETYP	M22 x 1.5 JED-388-4 JED-464-0	M16 x 1.5 JED-388-4 JED-464-0	Further Technical Data: 480 400 304 0	Doc. Code: 035
PERMISSIBLE TORQUE	max. 53 Nm	max. 34 Nm	2025-10-20	2025-10-22
ZULÄSSIGES ANZUGSMOMENT	max. 53 Nm	max. 34 Nm	2025-10-20	2025-10-22
④ LASER PRINTING REFERS TO LASERDRUCK VERWEIST AUF	480 400 304 0 - 922	480 400 304 0 - 035	EBS ELECTRO-PNEUMATIC HAND BRAKE VALVE	
PRODUCT SPECIFICATION REFERS TO PRODUKTSPEZIFIKATION VERWEISEN AUF	480 400 304 0 - 035	480 400 304 0 - 035	EBS ELECTRO-PNEUMATIC HAND BRAKE VALVE	

PERMISSIBLE INSTALLATION POSITION