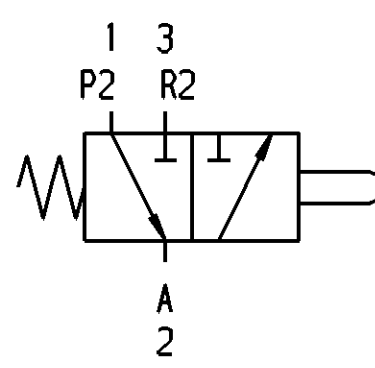
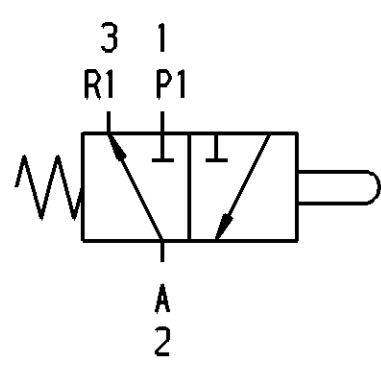
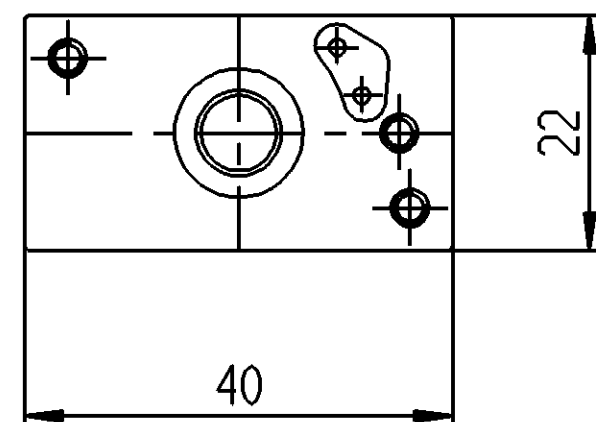
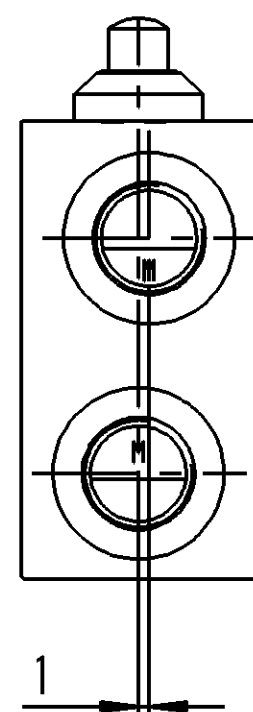
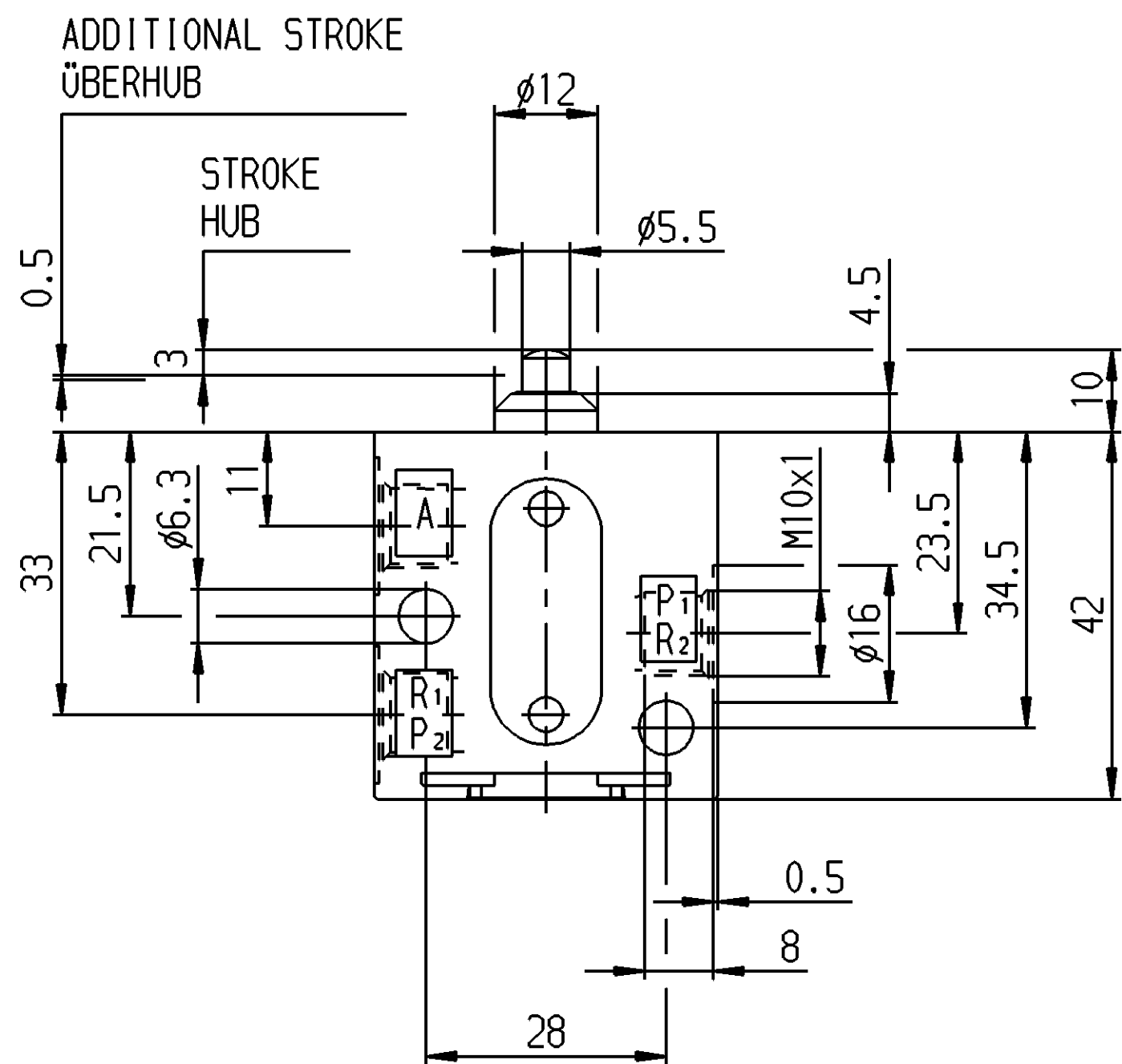


OUTLINE DRAWING - MASSZEICHNUNG

TECHNICAL DATA - TECHNISCHE DATEN



NOMINAL DIAMETER : 4 mm
 NENNWEITE : 4 mm
 OPERATING PRESSURE : max. 10 bar
 BETRIEBSDRUCK : max. 10 bar
 AMBIENT TEMPERATURE : -25°C ... +80°C
 THERMISCHER ANWENDUNGSBEREICH : -25°C ... +80°C
 ADMISSIBLE MEDIUM : COMPRESSED AIR
 ZULÄSSIGES MEDIUM : DRUCKLUFT
 CONNECTIONS : M10 x 1 8 DEEP
 GEWINDEANSCHLÜSSE : M10 x 1 8 TIEF
 OPERATING FORCE AT 10 bar : I = 30 N
 BETÄTIGUNGSKRAFT BEI 10 bar : II = 60 N
 LEAKAGE : max. 8 ml/min
 LECKAGE : max. 8 ml/min (A)

Non è permesso consegnare o terzi o riprodurre questo documento, né utilizzare il contenuto o renderlo comunque noto a terzi senza permesso scritto dalla WABCO. È vietata espressamente la ristampa o l'uso non autorizzato. E' fatto riserva di tutti i diritti. Copying of this document and giving it to others and the use or communication of the contents thereof, are forbidden without express written permission of WABCO. It is expressly prohibited to reproduce or use the content of this document for any purpose other than that intended. All rights are reserved in the event of the grant of patent or registration of a utility model or design. This document is the subject of copyright.

Toute communication ou reproduction de ce document, toute exploitation ou communication de son contenu sont interdites, sauf autorisation expresse. Tout manquement à cette règle constitue un abus évident et expose son auteur au versement de dommages et intérêts. Toute réimpression ou utilisation non autorisée sans la permission écrite de la WABCO est formellement interdite. Toute communication ou reproduction de ce document, toute exploitation ou communication de son contenu sont interdites, sauf autorisation expresse. Tout manquement à cette règle constitue un abus évident et expose son auteur au versement de dommages et intérêts. E' fatto riserva di tutti i diritti. Copying of this document and giving it to others and the use or communication of the contents thereof, are forbidden without express written permission of WABCO. It is expressly prohibited to reproduce or use the content of this document for any purpose other than that intended. All rights are reserved in the event of the grant of patent or registration of a utility model or design. This document is the subject of copyright.

Verfügung dieser Unterlagen, Verwertung und Mitteilung ihres Inhalts nicht gestattet, soweit nicht ausdrücklich zugestanden. Zuwiderhandlungen stellen einen strafrechtlichen Missbrauch dar und verpflichten zu Schadenersatz. Alle Rechte für den Fall der Patentierung oder Gebrauchsmuster-Eintragung vorbehalten.

General Specification: JED-334-0			Copyright WABCO®		WABCO		
Further Technical Data:			Date	Signature	3/2 DIRECTIONAL CONTROL VALVE NW4		
Doc. Code: Sheet: To:			2007-12-05	MOLYN	3/2 WEGEVENTIL NW4		
General Tolerances JED-261			Checked		DISTRIBUTEUR 3/2 NW4		
Class 1) ≤ 50 > 50 ≤ 180 > 180 ≤ 400 > 400			Expert		VALVOLA 3/2 NW4		
Fine 0.5 1.0 1.5 2.0			SUTOR		Material No. WABCO Id. No.: 5630200000		
Medium 1.0 2.0 3.0 4.0			SUTOR		005 en/de fr/it 1/1		
Coarse 2.0 3.5 5.0 6.5			SUTOR		563 020 000 0		
Tapped Holes acc.			Mass	Scale	Function Code CAD System Prod.Type Replacement for		
State of Revision			0.16 KG	1:1	Pro/E		
1) Tolerance Class Applied Crossmarked			Size	TR1	100mm		