

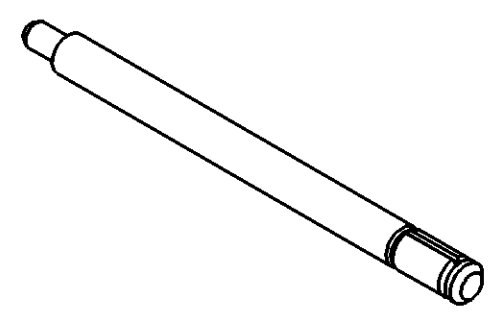
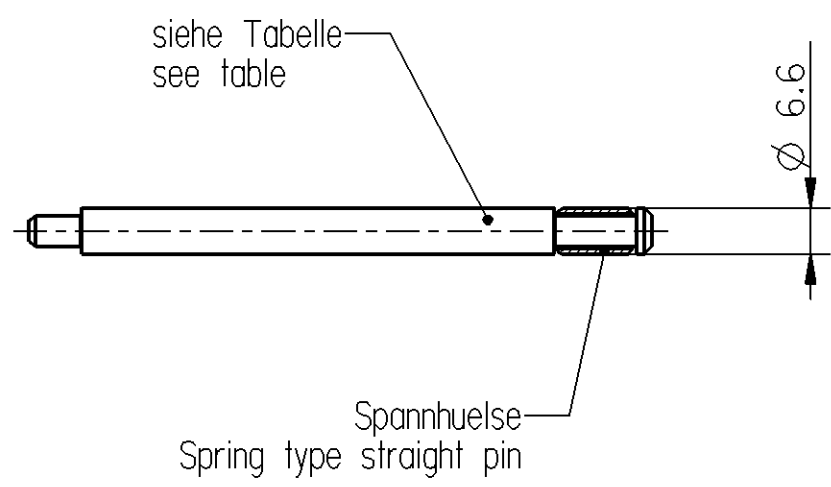
Non e permesso consegnare a terzi o riprodurre questo documento, ne utilizzare il contenuto o renderlo comunque noto a terzi senza autorizzazione esplicita. Ogni infrazione costituisce un evidente abuso e comportera il risarcimento dei danni subiti. E' fatta riserva di tutti i diritti derivanti da brevetti o modelli.

Toute communication ou reproduction de ce document, toute exploitation ou communication de son contenu sont interdites, sauf autorisation expresse. Tout manquement a cette regle constitue un abus evident et expose son auteur au versement de dommages et interets. Tous droits de proprieete industrielle reserves, notamment en matiere de brevets et de modesles.

Copying of this document and giving it to others and the use or communication of the contents thereof, are forbidden without express authority. Contrivention of this restriction will constitute an evident abuse and result in a liability to the payment of damages. All rights are reserved in the event of the grant of patent or registration of a utility model or design. This document is the subject of copyright.

Weitergabe sowie Vervielfaeltigung dieser Unterlage, Verwertung und Mitteilung ihres Inhalts nicht gestattet, soweit nicht ausdruercklich zugestanden. Zuwiderhandlungen stellen einen offensichtlichlichen Missbrauch dar und verpflichten zu Schadensersatz. Alle Rechte fuer den Fall der Patenterteilung oder Gebrauchsmuster-Eintragung vorbehalten.

1 2 3 4 5 6 7 8



12 728 016 (612 728 016 2)	13 728 051 (613 728 051 4)
12 728 012 (612 728 012 2)	13 728 046 (613 728 046 4)
12 728 011 (612 728 011 2)	13 728 045 (613 728 045 4)
12 728 010 (612 728 010 2)	13 728 044 (613 728 044 4)
12 728 008 (612 728 008 2)	13 728 043 (613 728 043 4)
12 728 006 (612 728 006 2)	13 728 040 (613 728 040 4)
12 728 003 (612 728 003 2)	13 728 038 (613 728 038 4)
12 728 001 (612 728 001 2)	13 728 031 (613 728 031 4)
Material-Nr. Material-No.	Teile-Nr. Part-No.

General Specification: JED-334-0		Copyright WABCO®		<b>WABCO</b>				
Further Technical Data:		Date	Signature					
Doc. Code:	Sheet:	To	Drawn	Stift Pin				
General Tolerances JED-261			2010-07-29				Wiedemann	
Range of Nominal Dimensions ( ± mm)			Checked				Fuss	
Expert			R. Keller					
Class 1)	≤ 50	> 50 ≤ 180	> 180 ≤ 400	> 400	Material No.	Date of first issue: 2010-07-30		
Fine	0.5	1.0	1.5	2.0	12 728 001	Doc.Code	Language	Sheet
Medium	1.0	2.0	3.0	4.0		053	DE	1/1
Coarse	2.0	3.5	5.0	6.5	Size	CAD System	Replacement for	
Tapped Holes acc. JED-152		A 3	Pro/E	ECN-No.	Revision	Techn. Resp.		
1) Tolerance Class Applied Crossmarked				116327	A	6910		

1 2 3 4 5 6 7 8

A B C D

dw: 6127280012...053 / Version: / state: / mdl: 6127280012...A02