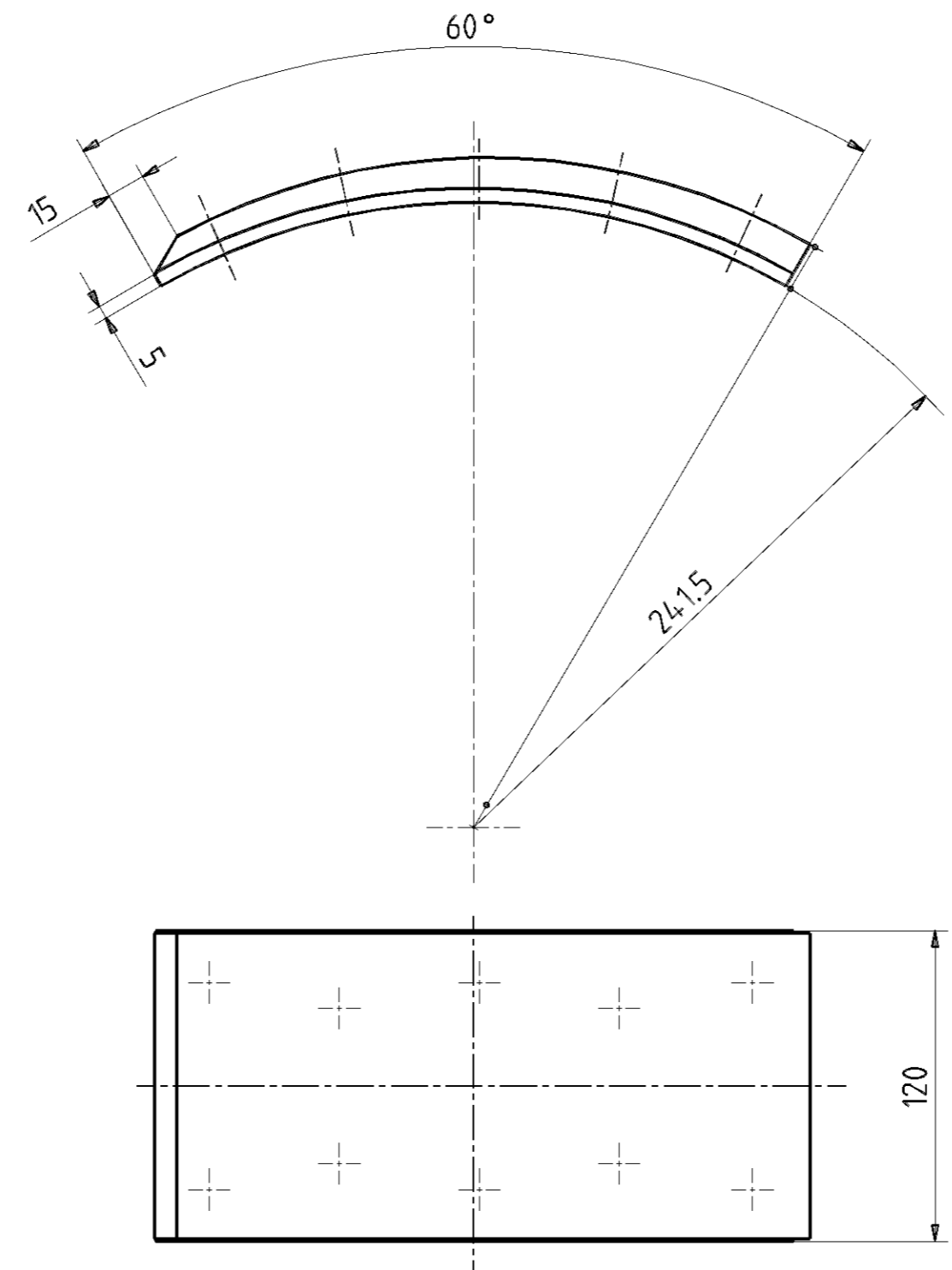


Non e permesso consegnare a terzi o riprodurre questo documento, ne utilizzarne il contenuto o renderlo comunque noto a terzi senza autorizzazione esplicita. Ogni infrazione costituira un evidente abuso e comportera il risarcimento dei danni subiti. E' fatta riserva di tutti i diritti derivanti da brevetti o modelli.

it to others and the use or communication of the contents thereof, are forbidden without express authority. Contravention of this restriction will constitute an evident abuse and result in a liability to the payment of damages. All rights are reserved in the event of the grant of patent or registration of a utility model or design. This document is the subject of copyright.

Toute communication ou reproduction de ce document, toute exploitation ou communication de son contenu sont interdites, sauf autorisation expresse. Tout manquement a cette regle constitue un abus evident et expose son auteur au versement de dommages et interets. Tous droits de propriete industrielle reserves, notamment en matiere de brevets et de modeles.

Weitergabe sowie Vervielfaeltigung dieser Unterlagen, Verwertung und Mitteilung ihres Inhalts nicht gestattet, soweit nicht ausdruecklich zugestanden. Zuwiderhandlungen stellen einen offensaetlichen Missbrauch dar und verpflichten zu Schadenersatz. Alle Rechte fuer den Fall der Patenterteilung oder Gebrauchsmuster-Eintragung vorbehalten.



Werkstoff : Beral
material

General Specification: JED-334-0		Copyright WABCO®		WABCO						
Further Technical Data:		Date	Signature							
Doc. Code:	Sheet:	To	Drawn		Bremsbelag Brake lining					
General Tolerances JED-261			2006-11-30				Roenz			
Range of Nominal Dimensions (± mm)			Checked				2007-01-22			
Expert			Fuss				R. Keller			
Class 1)	≤ 50	> 50 ≤ 180	> 180 ≤ 400	> 400	Material No.	WABCO Id. No.: 6130578584				
Fine	0.5	1.0	1.5	2.0	13 057 858	Doc.Code Language Sheet				
Medium	1.0	2.0	3.0	4.0		605 en/de 1/1				
Coarse	2.0	3.5	5.0	6.5						
DCN-No.	Rev.	Date	Tapped Holes acc. & tapped_hole		Mass	Scale	Material No.	WABCO Id. No.: 6130578584		
State of Revision			1) Tolerance Class Applied Crossmarked		1.175 KG	1:2.5	13 057 858	Doc.Code Language Sheet		
					Size	TRI	Function Code	CAD System	Prod.Type	Replacement for
					A 3	520		Euclid	01 X	