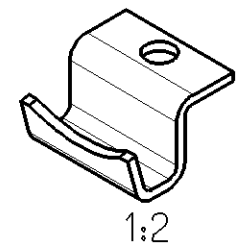
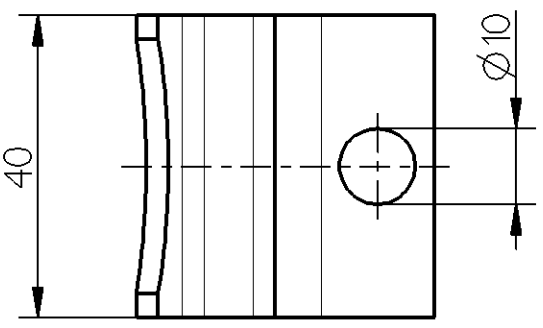
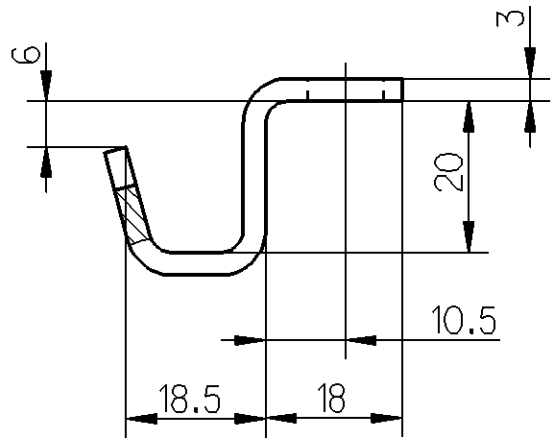


Non e permesso consegnare a terzi o riprodurre questo documento, ne utilizzare il contenuto o renderlo comunque noto a terzi senza autorizzazione esplicita. Ogni infrazione costituisce un evidente abuso e comportera il risarcimento dei danni subiti. E' fatta riserva di tutti i diritti derivanti da brevetti o modelli. Copying of this document and giving it to others and the use or communication of the contents thereof, are forbidden without express authority. Contravention of this restriction will constitute an evident abuse and result in a liability to the payment of damages. All rights are reserved in the event of the grant of patent or registration of a utility model or design. This document is the subject of copyright.

Toute communication ou reproduction de ce document, toute exploitation ou communication de son contenu sont interdites, sauf autorisation expresse. Tout manquement a cette regle constitue un abus evident et expose son auteur au versement de dommages et interets. Tous droits de proprieete industrielle reserves, notamment en matiere de brevets et de modesles. Weitergabe sowie Vervielfaeltigung dieser Unterlagen, Verwertung und Mitteilung ihres Inhalts nicht gestattet, soweit nicht ausdruecklich zugestanden. Zuwiderhandlungen stellen einen offensichtlichen Missbrauch dar und verpflichten zu Schadensersatz. Alle Rechte fuer den Fall der Patenterteilung oder Gebrauchsmuster-Eintragung vorbehalten.

A
B
C
D
E
F



410/500

General Specification: JED-334-0				Copyright WABCO®		WABCO					
Further Technical Data:				Date	Signature						
Doc. Code:		Sheet: To		Drawn		Buegel Bracket					
General Tolerances JED-261				2010-06-28	Roenz						
Range of Nominal Dimensions (± mm)				Checked							
Class 1)				2010-06-28	Fuss						
	≤ 50	> 50 ≤ 180	> 180 ≤ 400	> 400	Expert		Material No. 13 166 015				
Fine	0.5	1.0	1.5	2.0	R. Keller						
Medium	1.0	2.0	3.0	4.0	Mass Scale						
Coarse	2.0	3.5	5.0	6.5	0.059 KG 1 : 1		Date of first issue: 2010-06-28				
Tapped Holes acc.				Size CAD System		ECN-No.		Revision		Techn. Resp.	
1) Tolerance Class Applied Crossmarked				A 3 Pro/E		117376		A		6900	
										Replacement for	