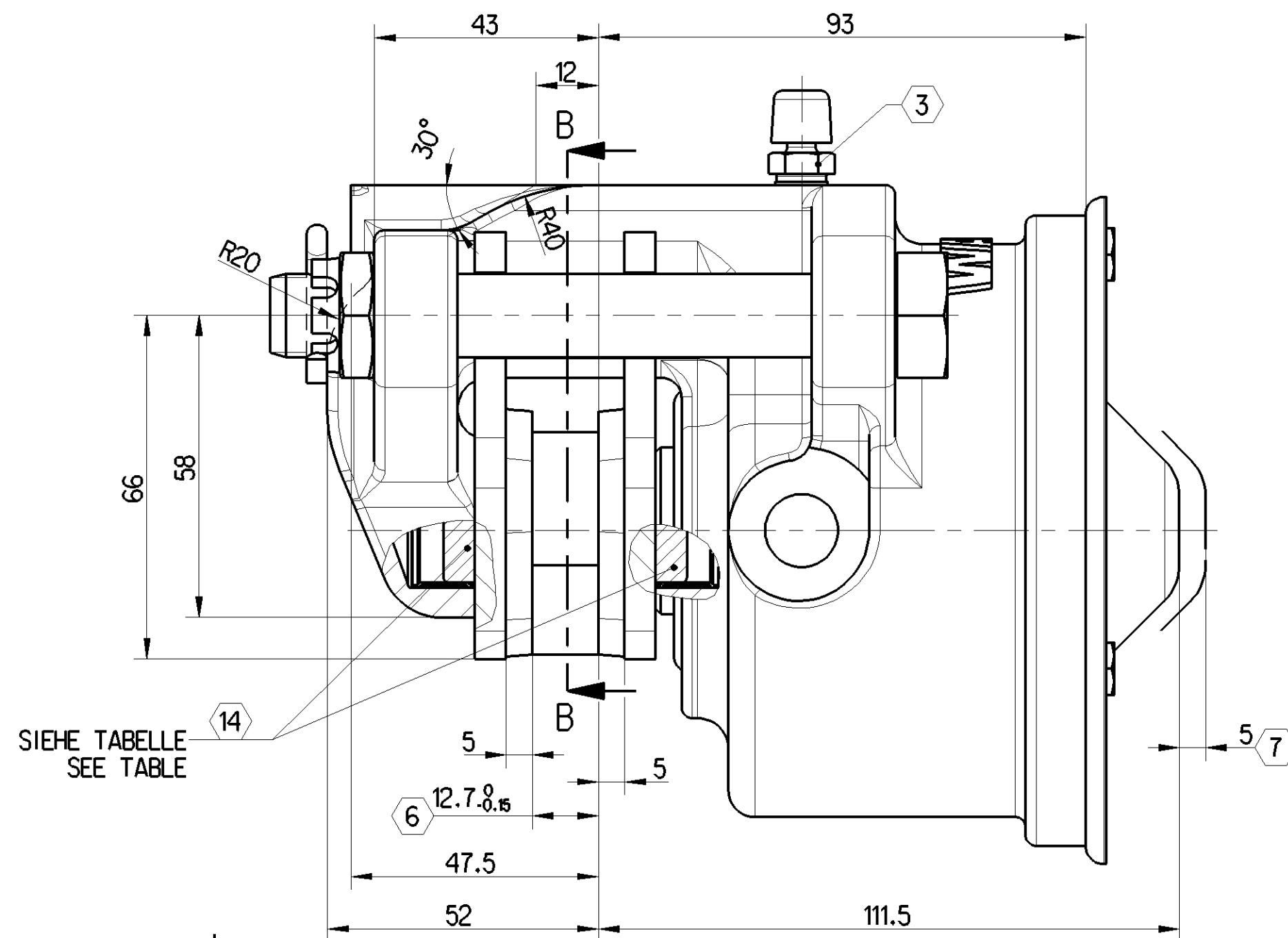
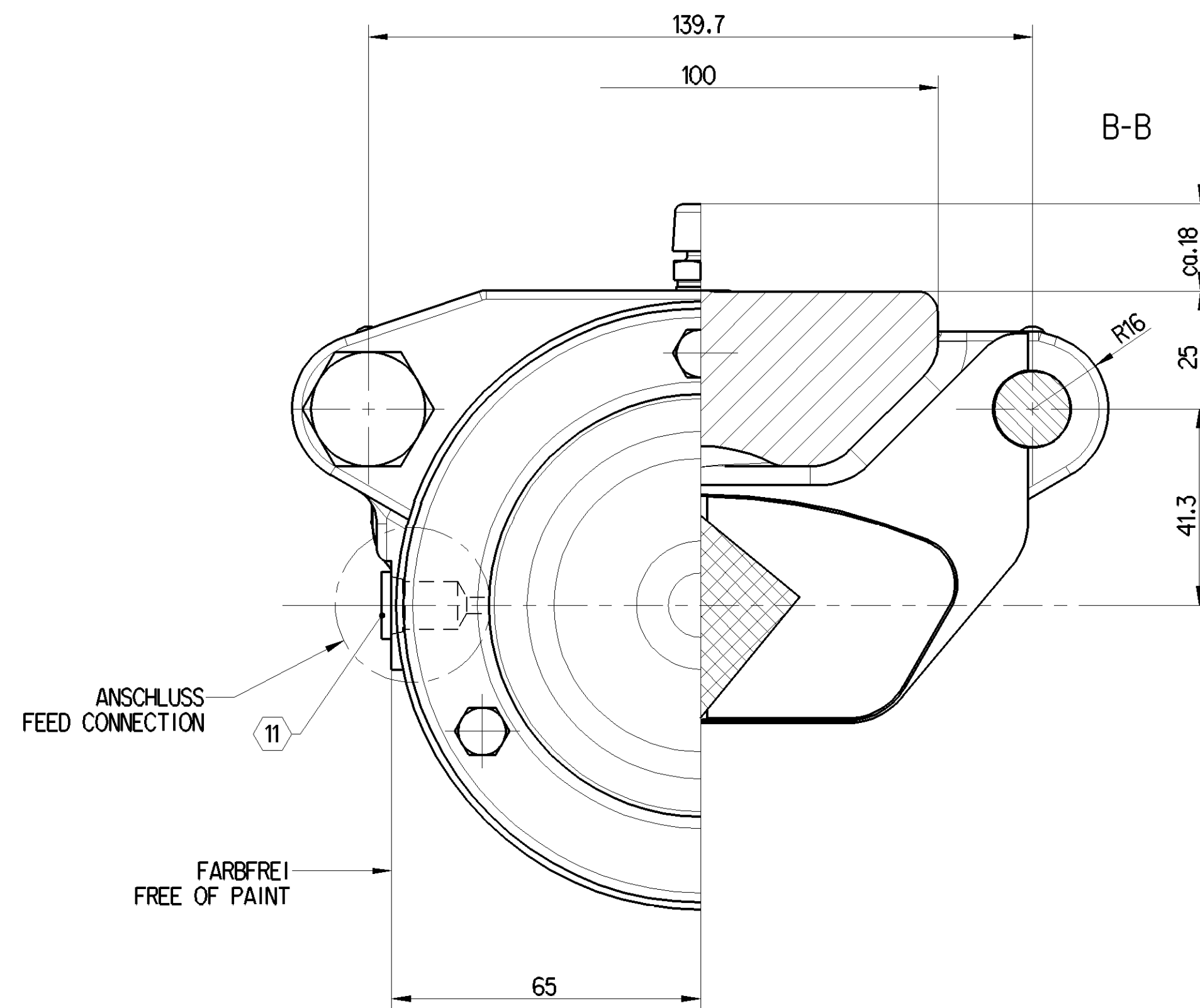
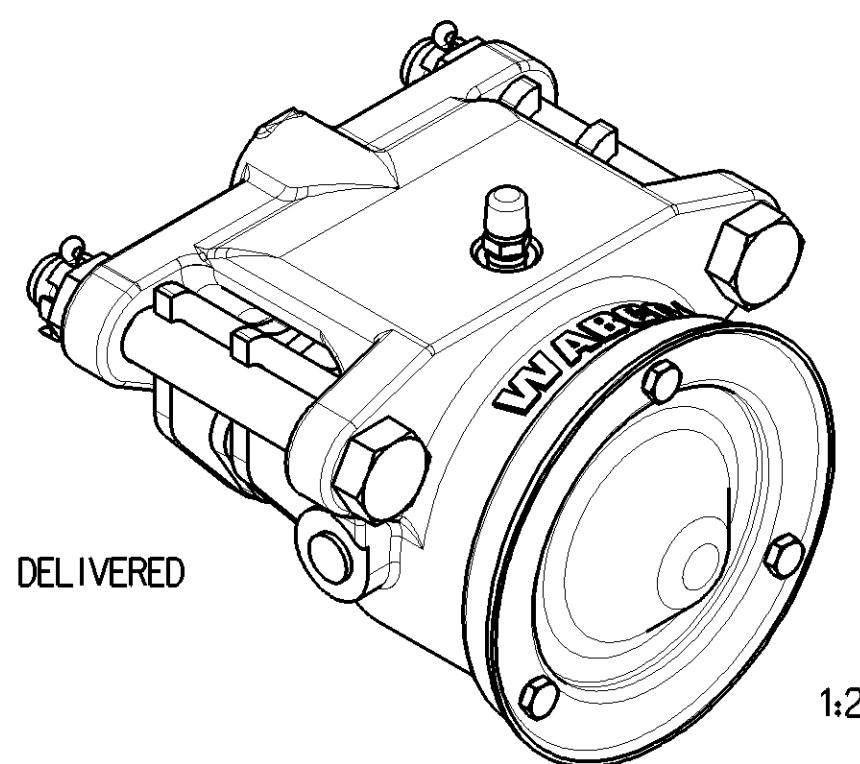
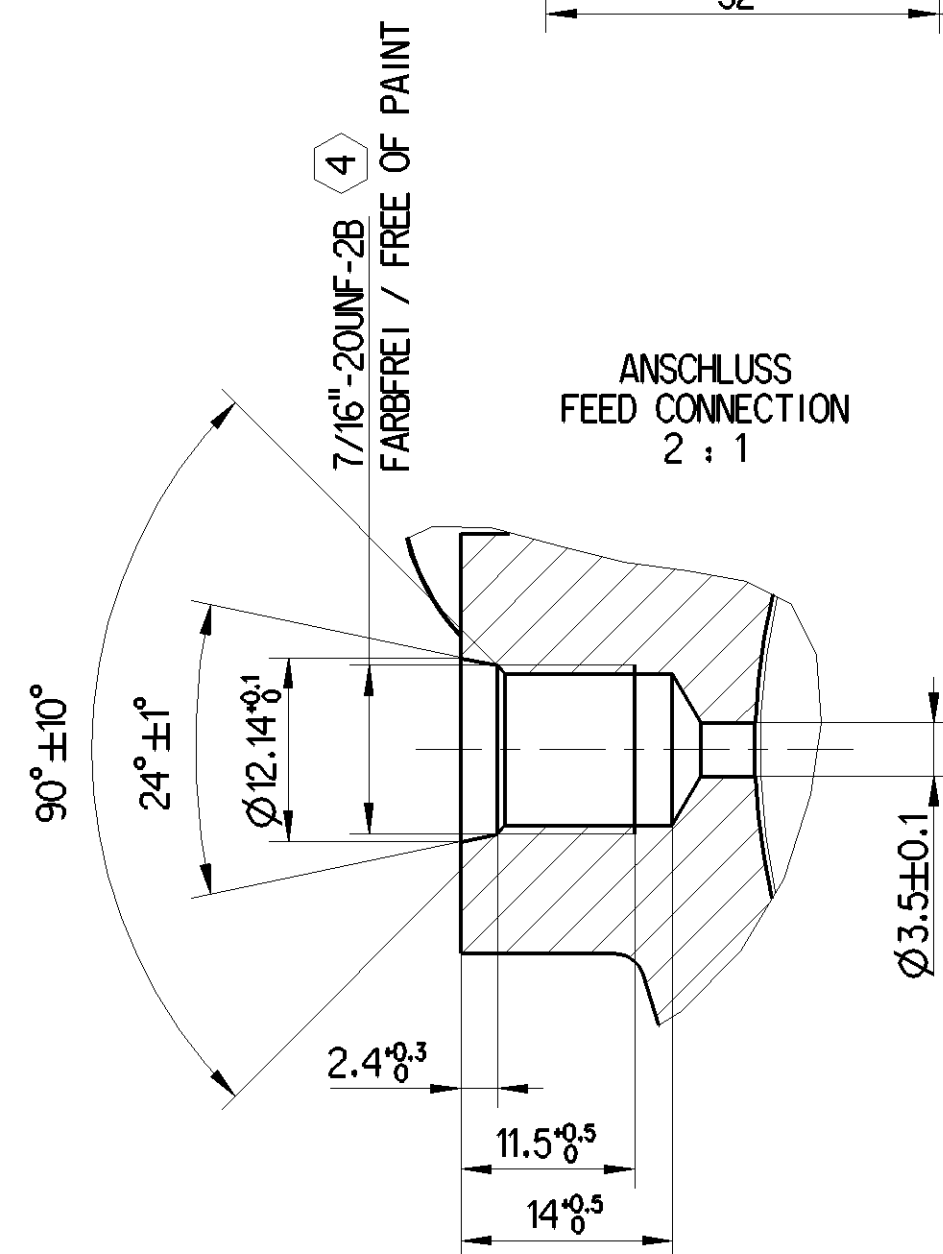
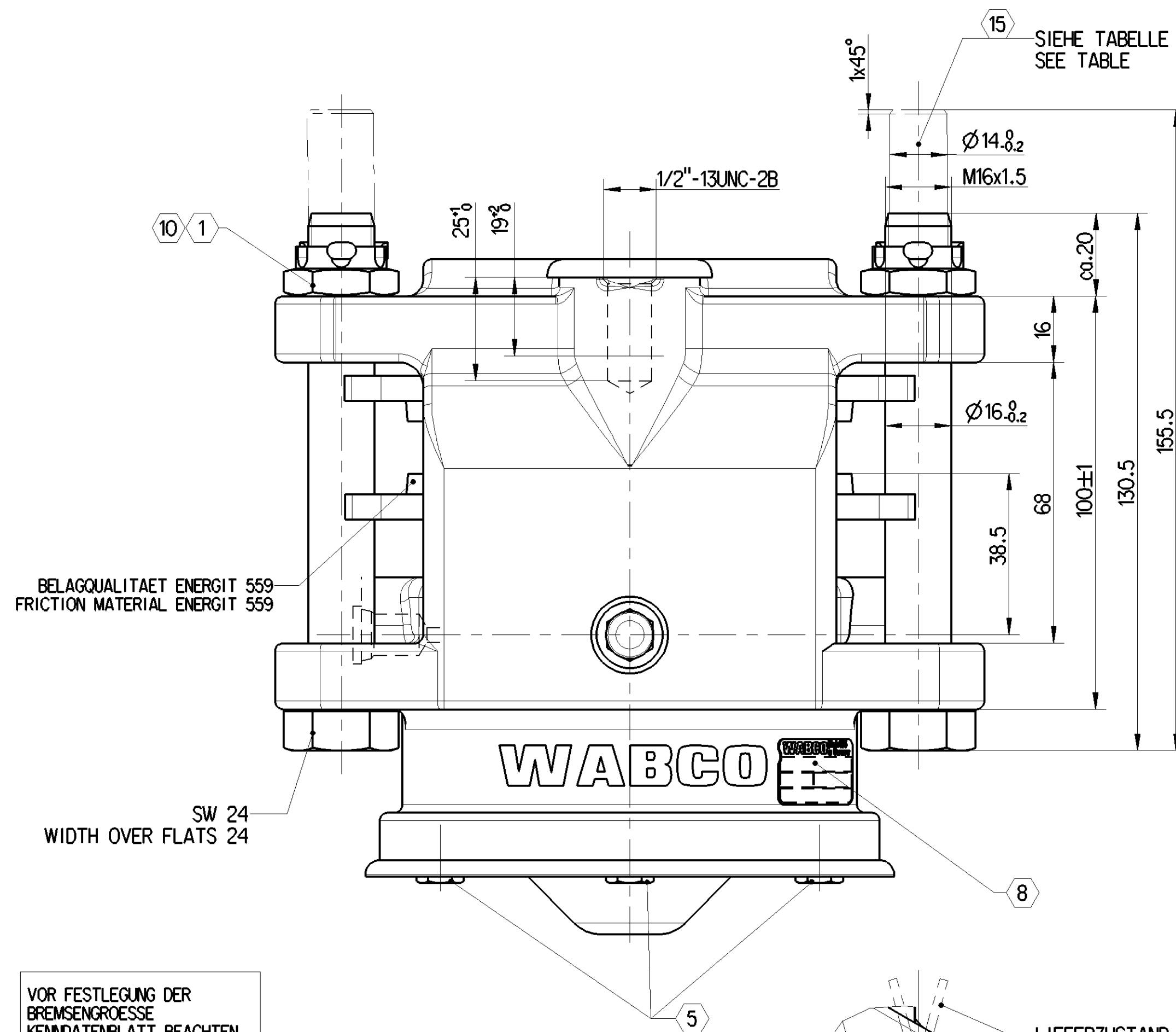
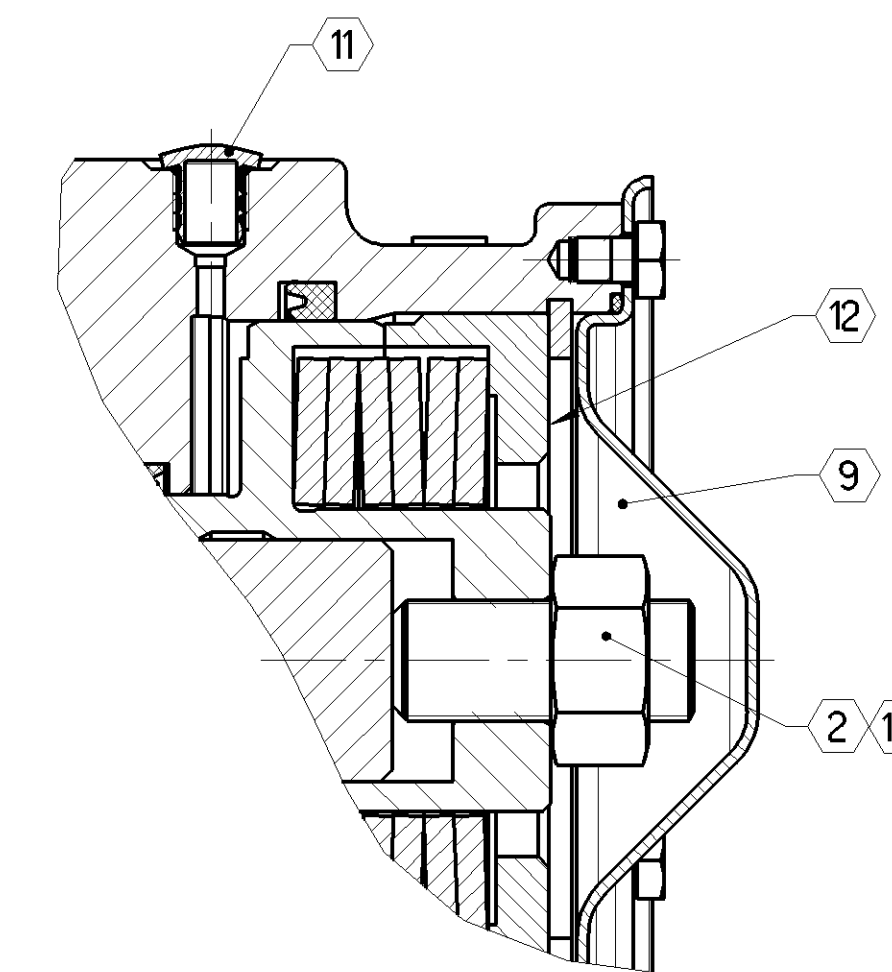


SAFETY CHARACTERISTICS	0
SIGNIFICANT CHARACTERISTICS	0
CUSTOMER INTERFACE	0



LIEFERZUSTAND  
CONFIGURATION WHEN DELIVERED



	ANZIEHDREHMOMENT TIGHTENING TORQUE	SW WIDTH OVER FLATS	BEMERKUNG NOTE	
1	20 ± 10 Nm 177 ± 88.5 in.lb	24	KRONENMUTTER M16X1.5	HEXAGON CASTLE NUT M16X1.5
2	100 ± 10 Nm 885 ± 88.5 in.lb	24	SECHSKANTMUTTER M16	HEXAGON NUT M16
3	12 + 4 Nm 106.2 ± 35.4 in.lb	11	ENTLUEFTER M10X1	BLEEDER M10X1
4	17.5 + 2.5 Nm 154.9 ± 22.1 in.lb	17	VERSCHLUSSSCHRAUBE 7/16"-20 UNF-2B	LOCKING SCREW 7/16"-20 UNF-2B
5	9 ± 1 Nm 79.7 ± 8.9 in.lb	10	SECHSKANTSCHRAUBE ISO4017-M6x8	HEXAGON HEAD SCREW ISO4017-M6x8

- 6 BREMSSCHEIBE NEU  
BRAKE DISC NEW
- 7 MAXIMALE VERSCHIEBUNG  
MAX. DISPLACEMENT
- 8 KENNZEICHNUNG  
PRODUCT IDENTIFICATION
- 9 RAUM FUER ENTLUEFTER UND STAUBKAPPE BEI TRANSPORT  
BLEEDER AND DUST CAP STORED IN THIS AREA FOR TRANSPORT
- 10 LIEFERZUSTAND: MUTTER ANGELEGT  
CONFIGURATION WHEN DELIVERED: NUT INSTALLED
- 11 VERSCHLUSSSTOPFEN FUER TRANSPORT UND LAGERUNG  
PLUG FOR STORAGE AND SHIPMENT
- 12 WARNUNG FEDERVORSpannung  
WARNING SPRING LOADED

BREMSSATTEL MIT SCHWARZER FARBE GESPRITZT  
CALIPER PAINTED WITH BLACK COLOUR TINT

MINERALOELBESTAENDIGE AUSFUHRUNG  
MINERAL OIL RESISTANT

40 023 006	8.89	VORHANDEN EXISTENT	VORHANDEN EXISTENT
40 023 005	8.84	VORHANDEN EXISTENT	VORHANDEN EXISTENT
40 023 004	8.89	ENTFAHLT WITHOUT	ENTFAHLT WITHOUT
MATERIAL-NR. MATERIAL-NO.	GEWICHT MASS	13	14

VOR FESTLEGUNG DER  
BREMSENGROSSE  
KENNDATENBLATT BEACHTEN  
BEFORE CHOOSING THE BRAKE  
TAKE NOTICE OF THE  
CHARACTERISTIC DATA SHEET

KENNDATENBLATT  
CHARACTERISTIC DATA SHEET 40 023 004

230 VI-OE

General Specification: ISO 8015, IED-334-1, Size ISO 14405 LP		Copyright ZF®	
Further Technical Data:		Date	Signature
Doc. Code	Sheet	2023-03-24	Ehoroni
General Tolerances IED-261		Packaged	
Range of nominal dimensions in mm		2023-03-24	
Class	1) ≤ 50	2) 50 > 180	3) 180 ≤ 400
Fine	±0.5	±1	±1.5
Medium	±1	±2	±3
Coarse	±2	±3.5	±5
Tapped Holes acc. -		±3°	
1) Tolerance Class Applied Crossmarked		Mass	Scale
A 1		13 kg	1:1
CREO		Material No.	Date of first issue
		40 023 004	053
		EDN-No.	Language
		511688	ML
		Revision	Sheet
		3x	1/1
		Techn. Resp.	Replacement for
		6910	

Tutti i diritti sono riservati. È vietata espressamente la ristampa o l'uso non autorizzato senza permesso scritto dalla ZF. Tutti i diritti sono riservati. È vietata espressamente la ristampa o l'uso non autorizzato senza permesso scritto dalla ZF.