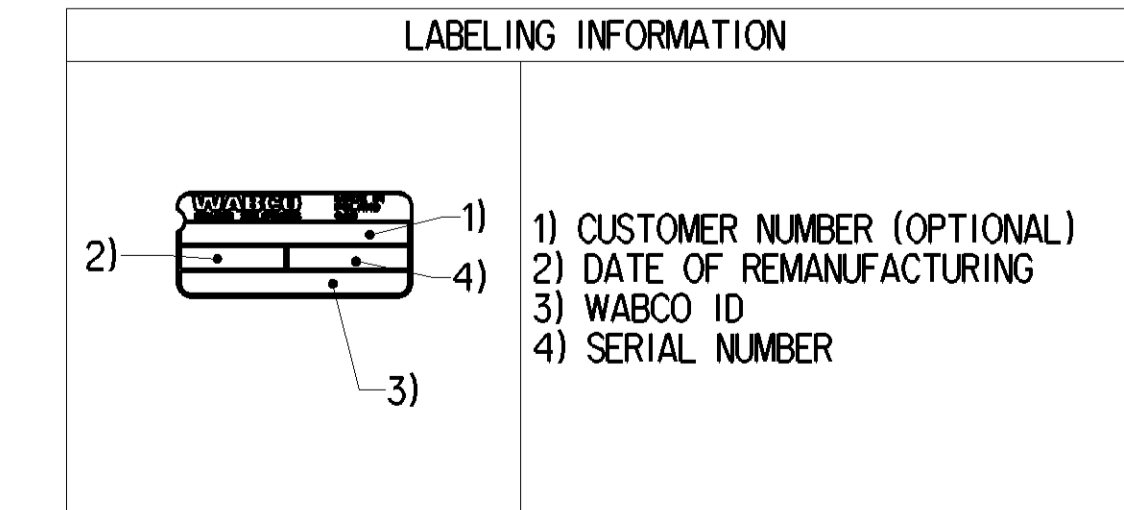
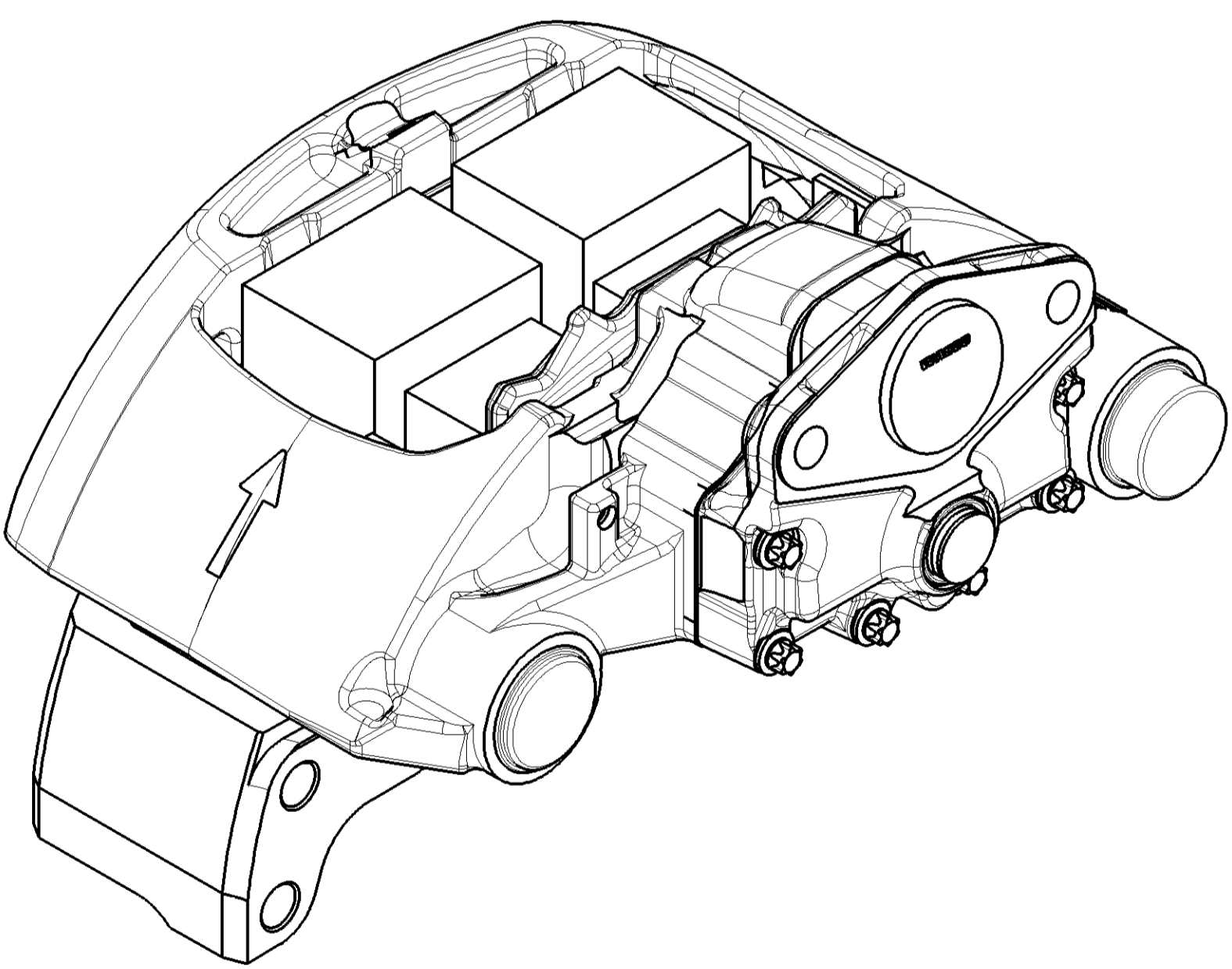
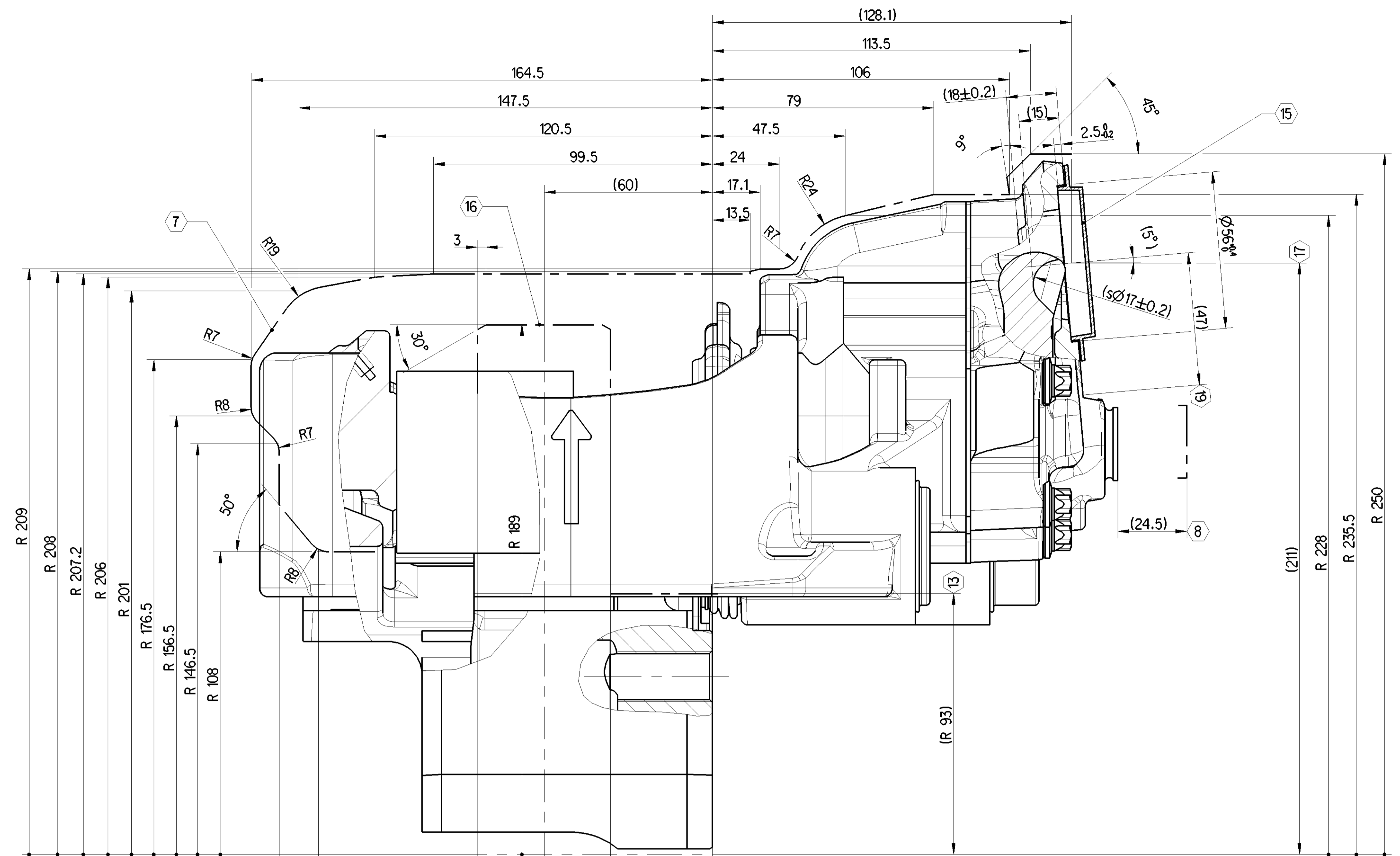
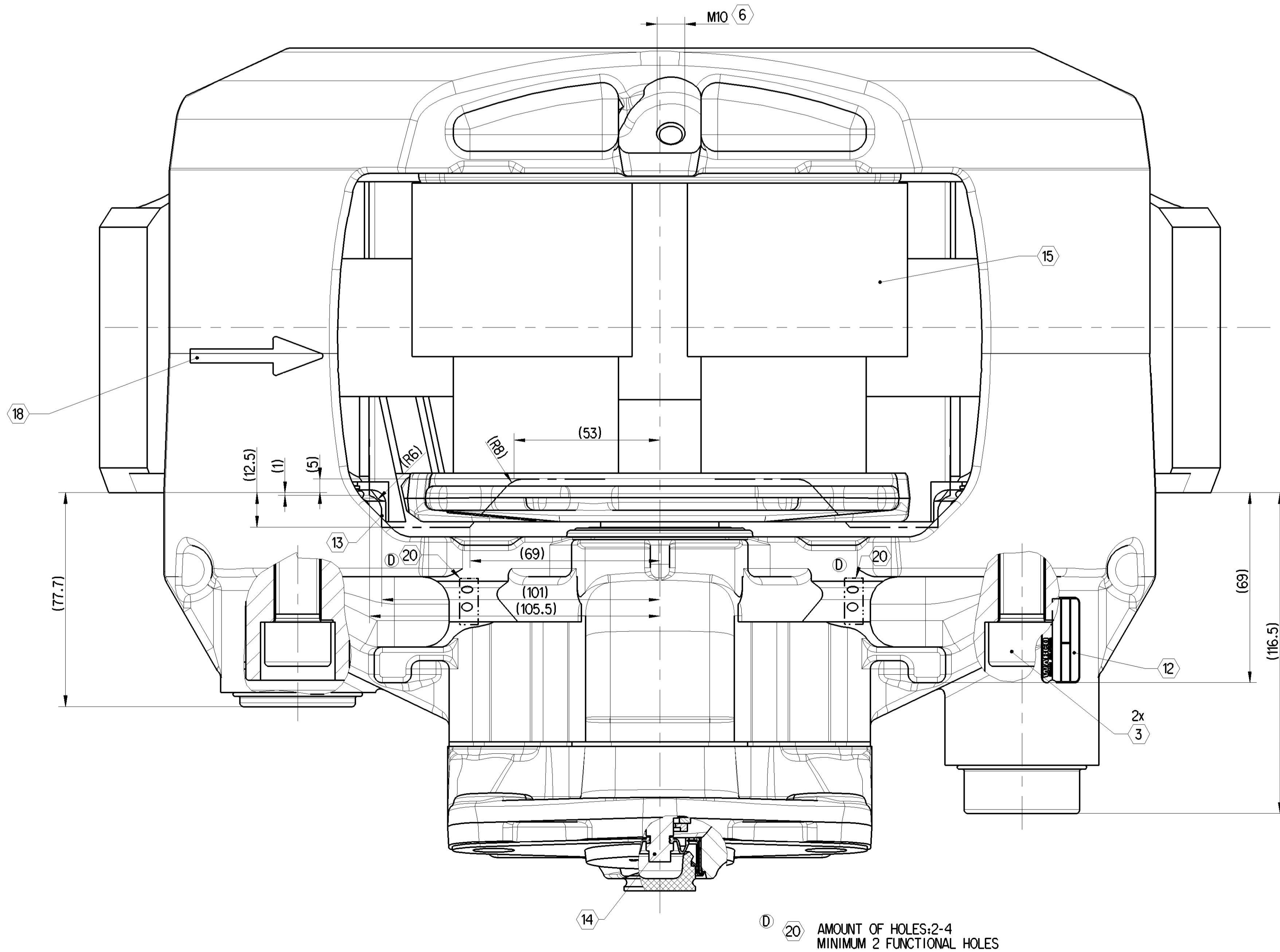
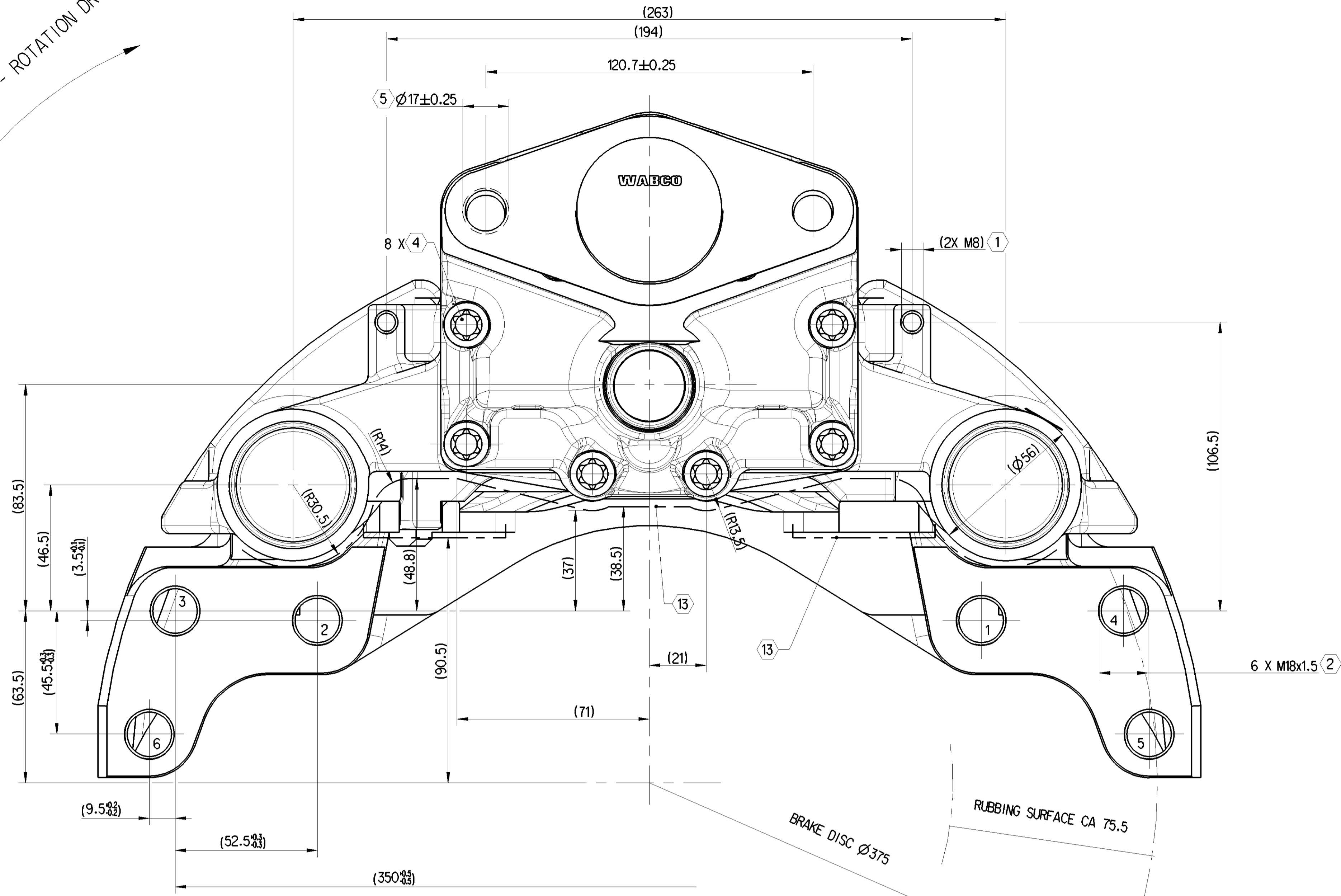


FORWARD DRIVE - ROTATION DRIVE



ID	TIGHTENING TORQUE	SIZE	REMARKS
①	22 ± 2 Nm	13	WEAR INDICATOR FASTENING ISO 4017-M8x14 ZINK-PLATED
②	450 ± 40 Nm	24 (DIN 961) 23 (ISO 8676)	BRAKE MOUNTING HEXAGON SCREW, OILED M16 x 1.5 x ... - 10.9
③	340 ± 20 Nm 130 ± 10 Nm AND ∠90°	HEXAGON SOCKET 14	TIGHTENING ORDER (DIN 912-M16x1.5x80-12.9) 1. LONG BOLT 2. SHORT BOLT
④	68 ± 5 Nm	HEAD E12	COVER FIXING DIN 34800 - M10x1x40 - 12.9
⑤	210 - 30 Nm	24	OPERATION CYLINDER M16x1.5
⑥	40 ± 5 Nm	17	SCREW FOR LINING RETAINER
⑦	MAX. ROTARY OUTLINE		
⑧	MAX. DISPLACEMENT		
⑨	FITTING DIMENSION OF THE DISC		
⑩	BRAK DISC NEW 45-0.2, WEARABLE UP TO 38		
⑪	ASSEMBLY DIMENSION FOR BRAKE PADS		
⑫	PRODUCT IDENTIFICATION WABCO		
⑬	ENVELOPE CIRCLE CALIPER WITH COVER		
⑭	HEXAGON HEAD 8		
⑮	FOR STORAGE AND SHIPMENT		
⑯	MAXIMUM DISC CLEARANCE		
⑰	CENTER LINE CYLINDER		
⑱	FORWARD DRIVE - ROTATION DIRECTION		
⑲	BRAKE ACTUATOR SIZE RESTRICTION SEE PART SPECIFICATION 640 195 039 R		

ANTI-CORROSION PROTECTION - SALT SPRAY TEST MIN. 96 HOURS
 PRODUCT SPECIFICATION 640 195 039 R
 DIMENSIONS WITHOUT TOLERANCE ARE GAUGE DIMENSIONS

REMAN PN	REMANUFACTURED DEVICE OF	REFERENCE DOCUMENT	IMAGE
640 195 045 R	40 195 045	640 195 045 O (DOC.053)	AS DRAWN
640 195 046 R	40 195 046	640 195 045 O (DOC.053)	MIRROR

General Specifications: JED-334-1		Further Technical Data: 640 195 039 R		Doc. Code: 039		Date: 2019-07-01		Version: 1		Sheet: 1 of 24	
Class 1: 1.50 ± 0.05				Class 2: 1.80 ± 0.05				Class 3: 2.00 ± 0.05			
Medium: X				Coarse: X				Fine: X			
AO				CREO				50696			

WABCO
 DISC BRAKE CALIPER TYPE PAN 19-1
 640 195 045 R
 053 EN 1/1