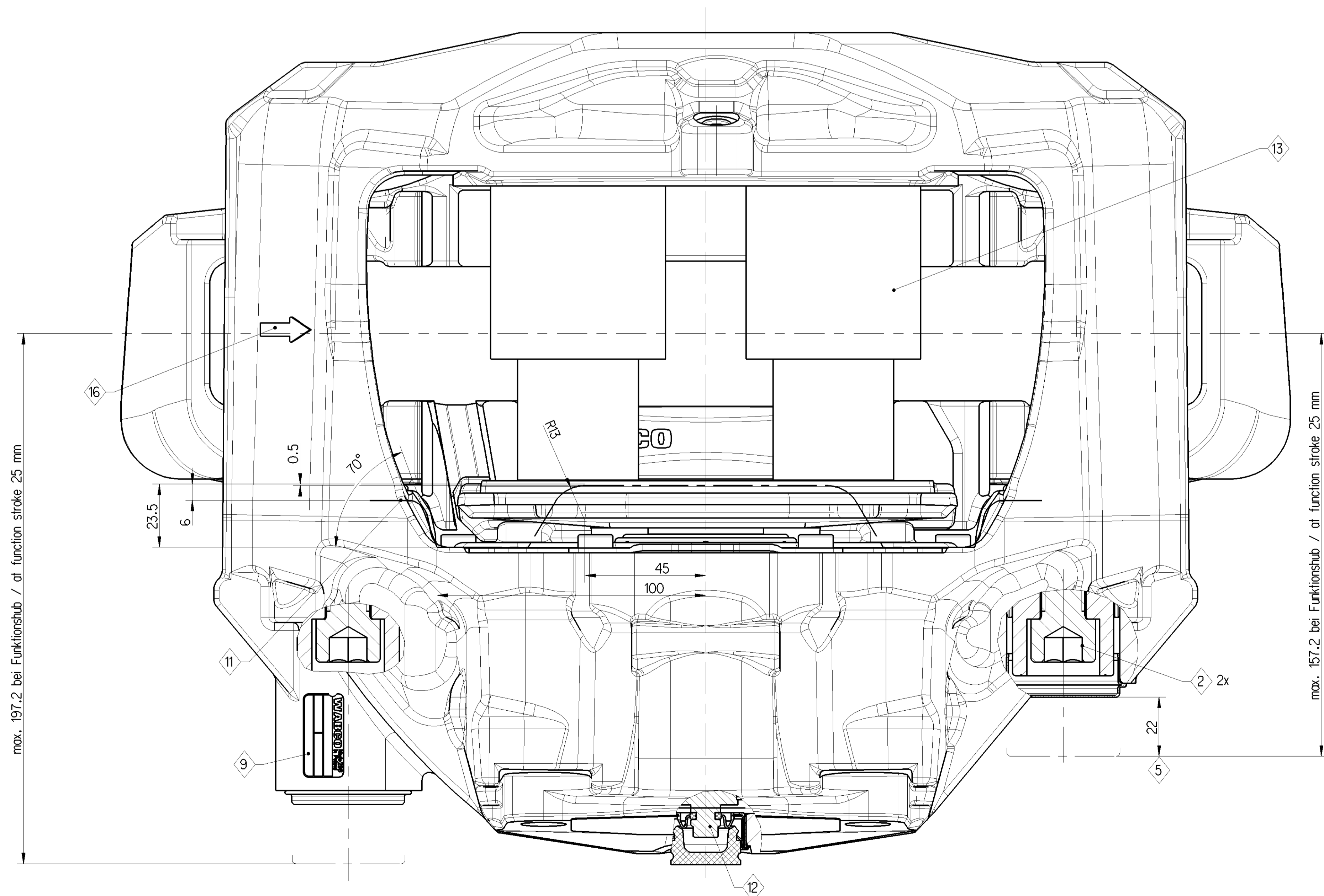
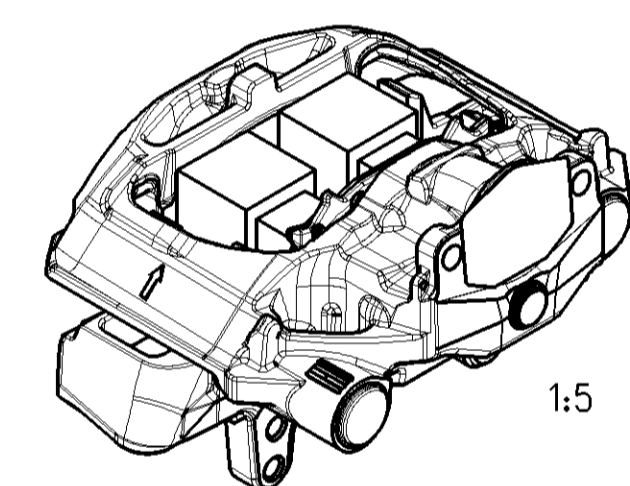
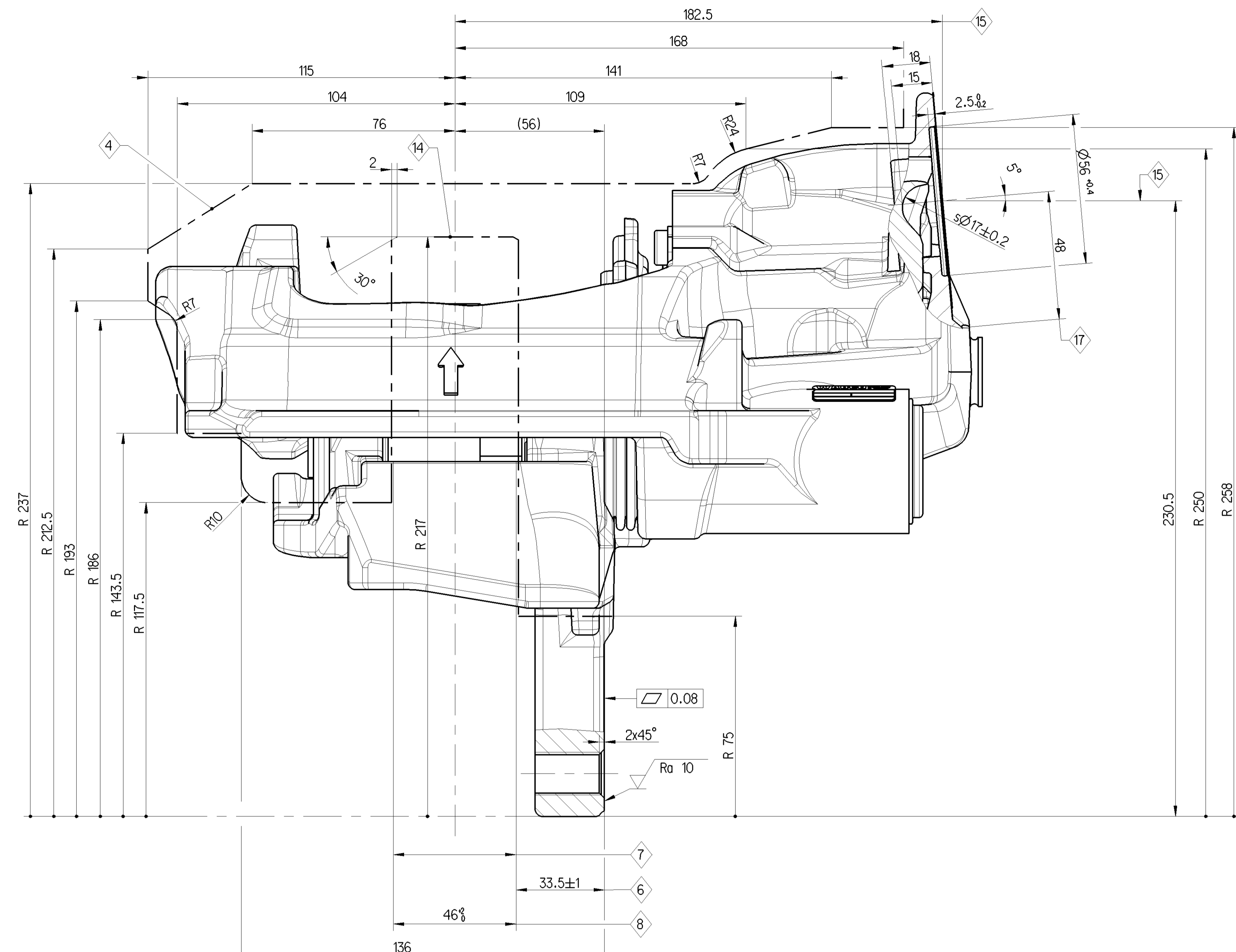
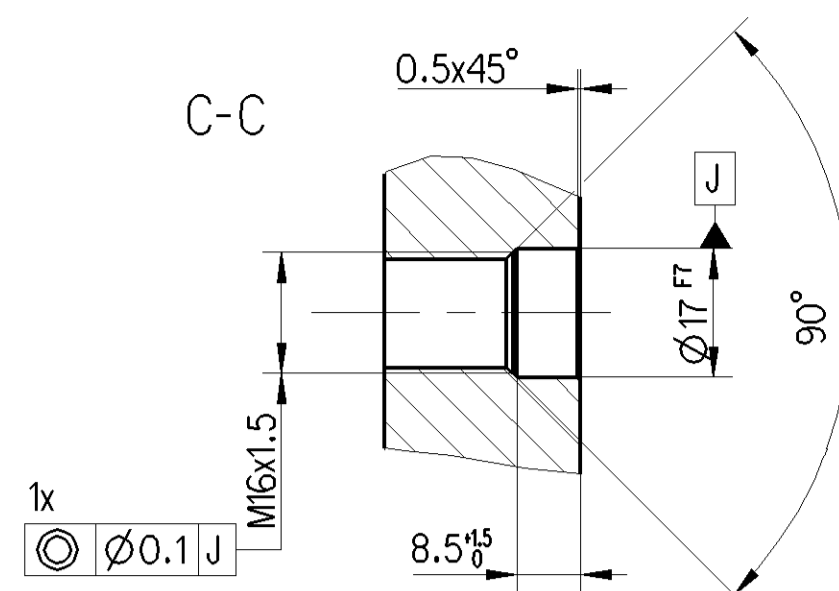
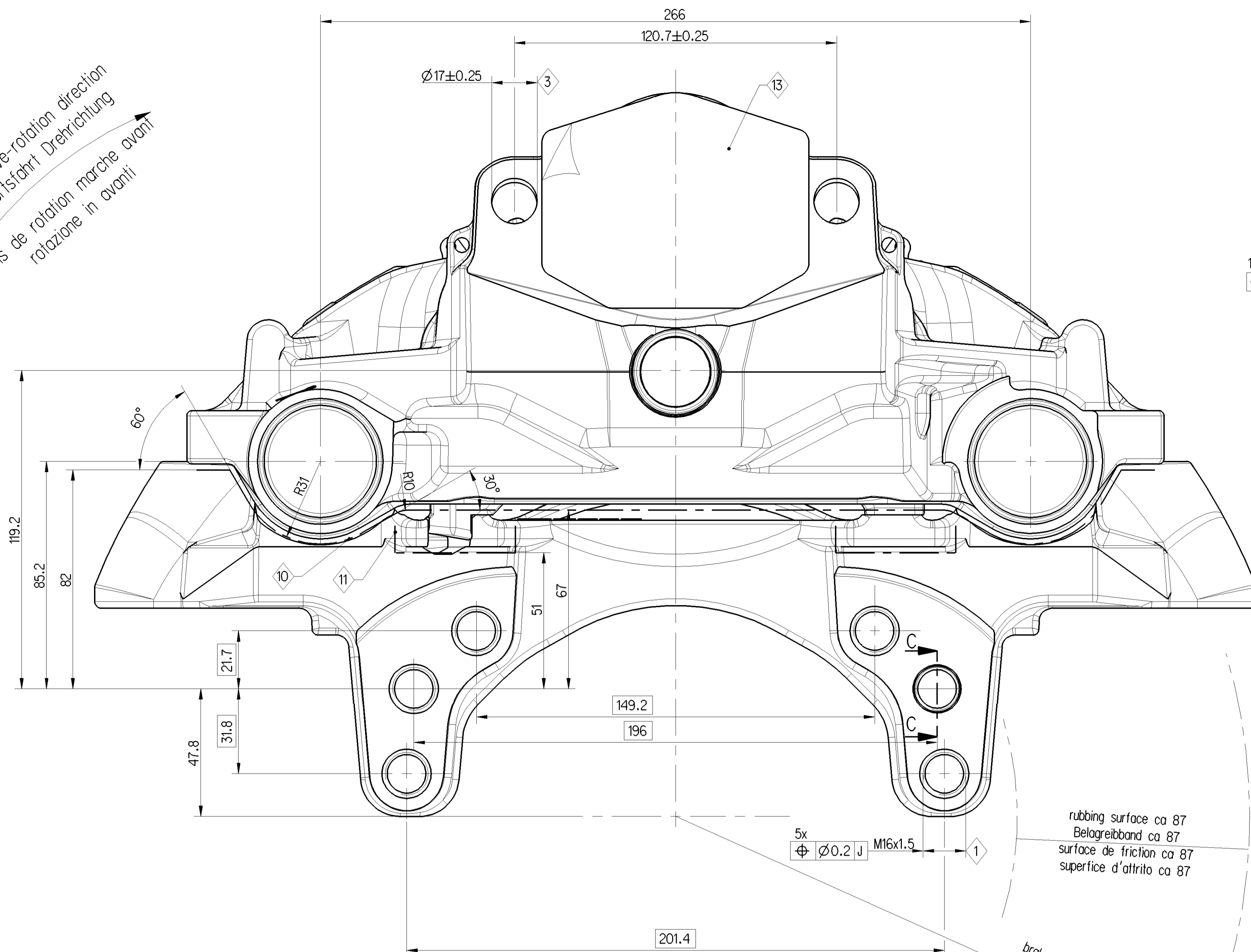


forward drive-rotation direction
Vorwärtsfahrt Drehrichtung
sens de rotation marche avanti
rotazione in avanti



	tightening torque Anziehdrehmoment couple de serrage coppia di serraggio	width over flats SW surplats misura chiave		note Bemerkung remarque annotazione
①	200 ± 10 Nm +60°	ASR E20	brake mounting M16 x 1.5 x ... - 10.9	Bremsebefestigung M16 x 1.5 x ... - 10.9 fixation du frein M16 x 1.5 x ... - 10.9 fissaggio freno M16 x 1.5 x ... - 10.9
②	150 ± 10 Nm + 70° ± 5°	14	tightening order 1. long bolt ISO 4762-M16x1.5x80-D.9 2. short bolt	Anziehdrehfolge 1. Bolzen lang ISO 4762-M16x1.5x80-D.9 2. Bolzen kurz ordre de serrage 1. axe long ISO 4762-M16x1.5x80-D.9 2. axe court sequenza di serraggio 1. viti lunghe ISO 4762-M16x1.5x80-D.9 2. viti corte
③	210 - 30 Nm	24	operation cylinder M16x1.5	Betätigungszylinder M16x1.5 actionneur M16x1.5 Cilindro operatore M16x1.5

- ④ max. rotary outline
maximale Rotationskontur
profil envelope maximal
rotazione profilo massimo
- ⑤ min. function stroke
minimale Funktionshub
course de fonction minimale
colpo minimo di funzione
- ⑥ fitting dimension of the disc
Scheibeneinbaumaß
dimension de montage du disque
quoto fissaggio disco
- ⑦ brake disc new 45-0-2, wearable up to 37
Brems Scheibe neu 45-0-2, verschleißbar bis 37
disque neuf 45-0-2, utilis jusqu'à 37
disco freno nuovo 45-0-2, usurabile fino 37
- ⑧ assembly dimension for brake pads
Einbaumaß fuer Bremsbeläge
dimension de montage des garnitures
dimensione assemblaggio pastiglie freno
- ⑨ product identification WABCO
Kennzeichnung WABCO
identification WABCO
identificazione prodotto WABCO
- ⑩ envelope circle caliper
Huelkurve Bremssattel
enveloppe circle
incontro pinza
- ⑪ envelope circle carrier
Huelkurve Bremstroeger
enveloppe circle support
incontro supporto
- ⑫ hexagonal spherical pinhead width over flats 8 mm
Sechskant Kugelkopf SW 8
tete hexagonale (surplats 8)
esagono SW 8
- ⑬ for storage and shipment
fuer Transport und Lagerung
pour stockage et stockage
per stoccaggio e trasporto
- ⑭ maximum disc clearance
Scheibenfreigang
course libre du disque
max. dimension installation disco
- ⑮ center line cylinder
Mitte Zylinder
axe median actionneur
centro cilindro
- ⑯ forward drive - rotation direction
Vorwärts Drehrichtung
sens de rotation marche avanti
rotazione in avanti
- ⑰ brake actuator size restriction see product specification
max. actuator type 22
Zylinderanschlusmasse nach Produkt Spezifikation
max. Zylinder Typ 22
dimension de connexion de cylindre de frein specifications du produit
limitation taille de cylindre, max. acceptee type 22
per misure di collegamento dell'attuatore freno vedere le specifiche di prodotto
cilindro max. tipo 22

SIGNIFICANT CHARACTERISTICS
WESENTLICHE MERKMALE
CARACTERISTIQUES SIGNIFICANTES
CARATTERISTICHE SIGNIFICATIVE

Produkt-Spezifikation 640 222 001 0
product-specification 640 222 001 0

ident.-no. brake Mat.-Nr. Bremse reference fren codice freno	customer no. brake Kundennummer Bremse no. du client freno cliente freno	execution Ausführung exécution esecuzione
640 222 004 0		Spiegelbild mirror image Image inversee immagine riflessa
640 222 003 0		wie gezeichnet as shown Comme dessiné Come disegnato

dimensions without tolerances are gauge dimensions
nicht tolerierte Masse = Lehre Masse dimensions non
tolerances = collares les dimensions senza tolleranza
sono quelle riferite al calibro

cooling
anti-corrosion protection - salt spray test min. 240 hours
Beschichtung
Korrosionsschutz-Salzspruehbepruefung, min. 240 Std.
protection of surface
lune BS 240 h min.
rivestimento
protezione contro la corrosione - prova di resistenza alla nebbia salina dopo almeno 240 h

MAXX 22T

General Specifications: 4D-534-0 - Size: ISO 16405-1 E

Further Technical Data:

Doc. Code	Sheet	To	Drawn	System
2015-10-02	1		Mozukiewicz	
2015-10-02	1		Stumpf	

Range of Nominal Dimensions (L x B x H) in mm:

Class	L	B	H
1	50	180	400
2	75	240	500
3	100	300	600
4	150	400	800
5	200	500	1000

Scale: 1:1

Material: 640 222 003 0

Part No.: 053 ML 1/1

Manufacturer: WABCO

Revision: 6924