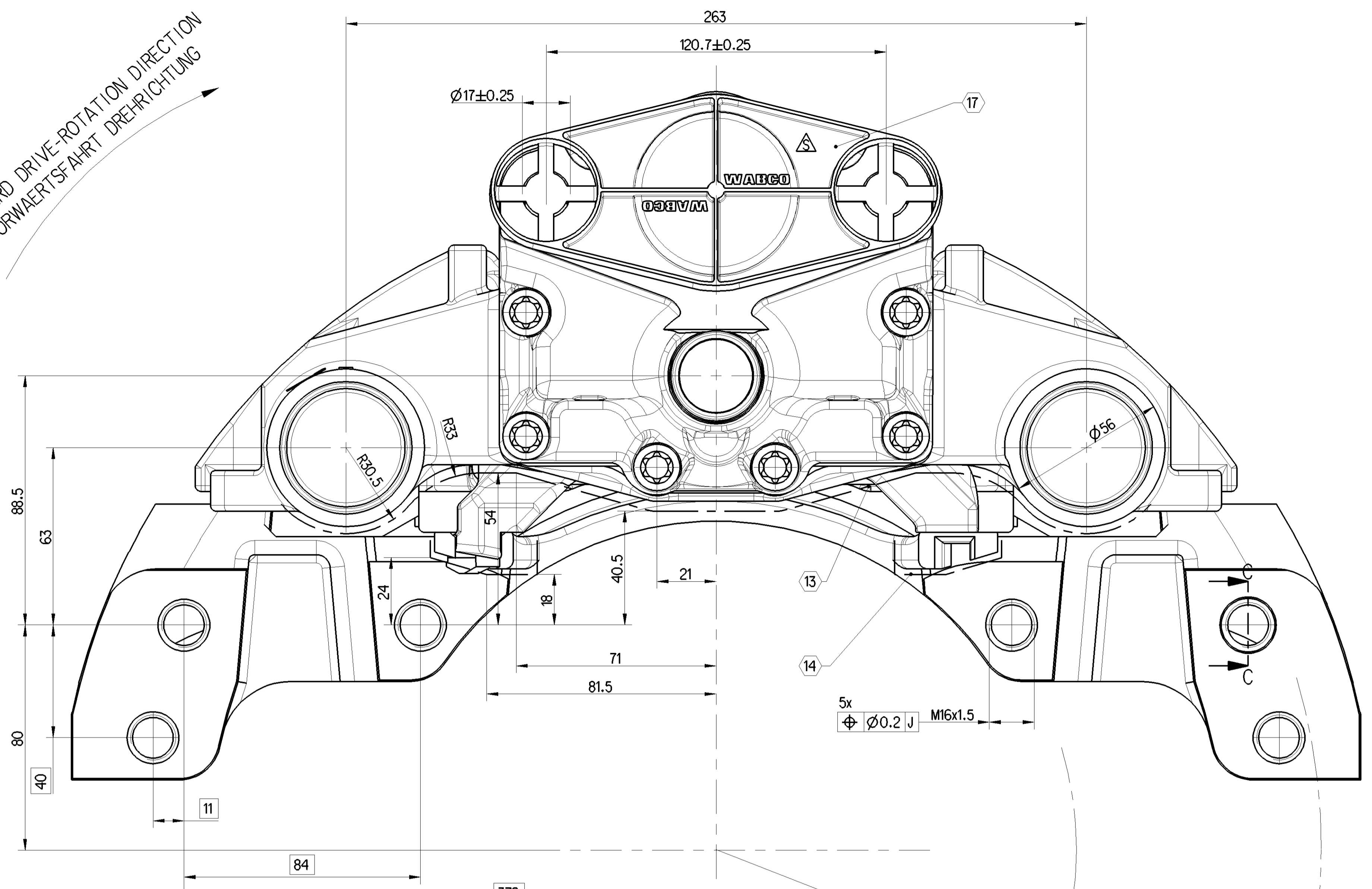
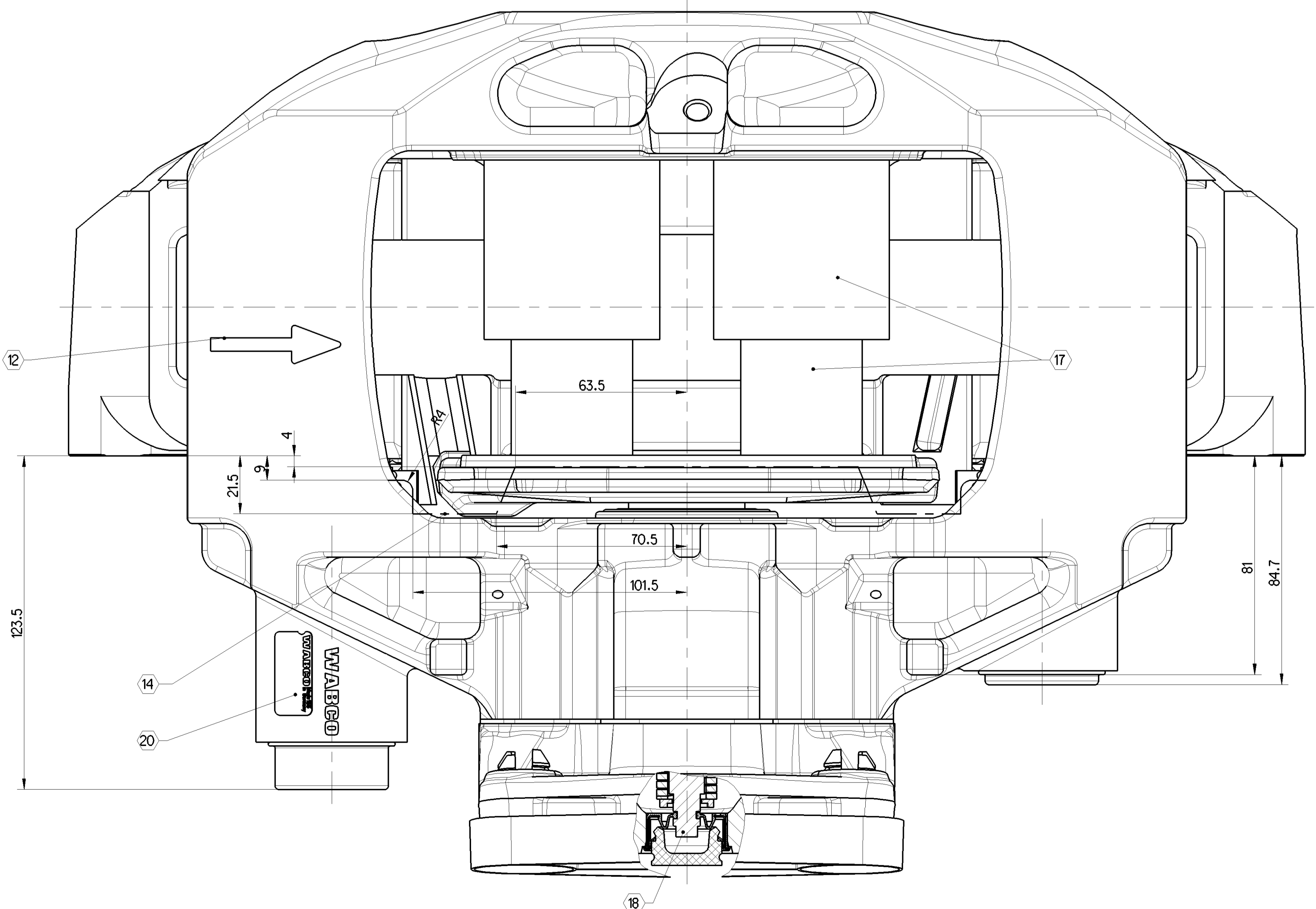
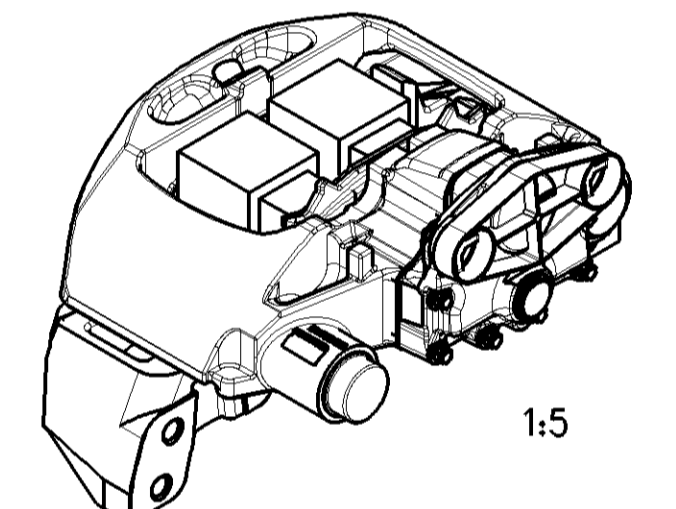
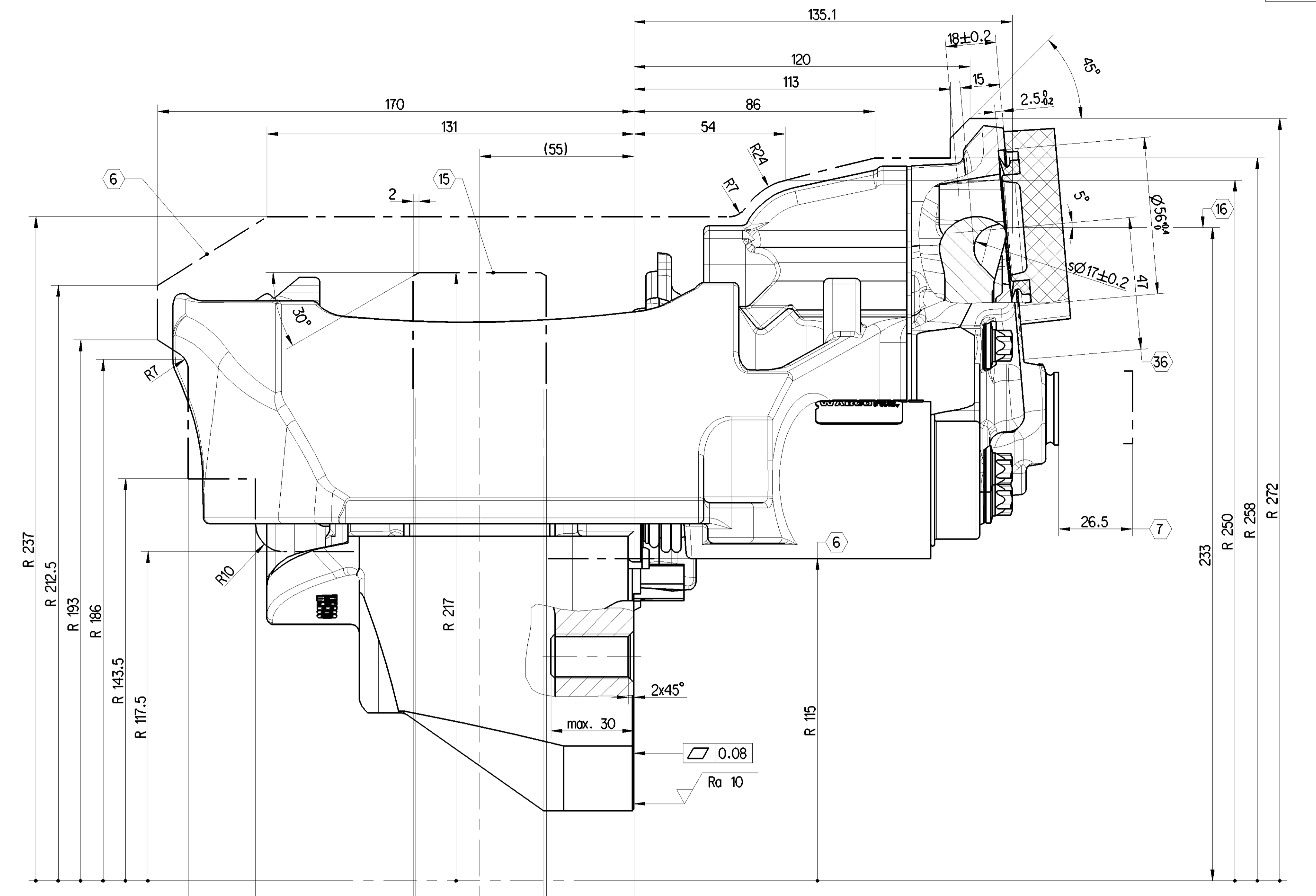
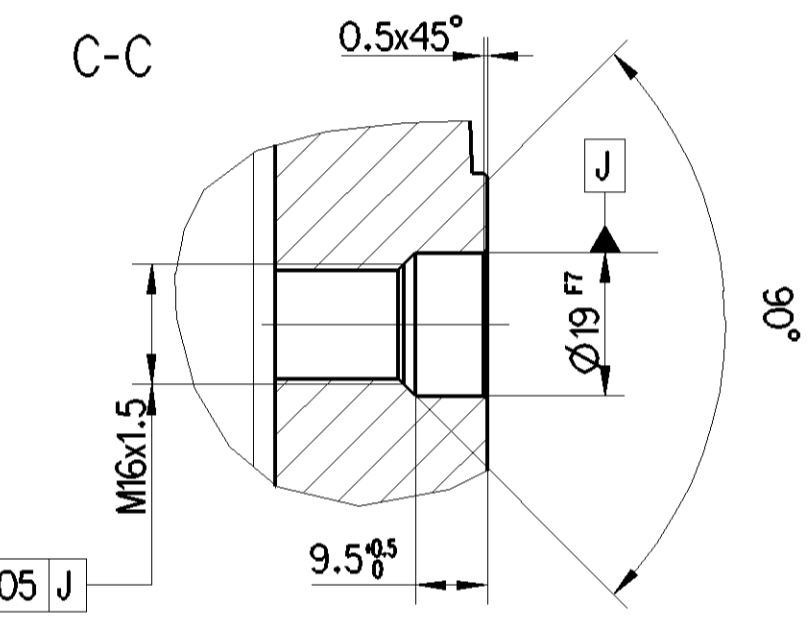


FORWARD DRIVE-ROTATION DIRECTION
VORWAERTSFAHRT DREHRICHTUNG



BRAKE DISC Ø430
BREMSSCHEIBE Ø430



	NOTE BEMERKUNG	TIGHTENING TORQUE ANZIEHMOMENT	WIDTH OVER FLATS SW
①	-	-	-
②	-	-	-
③	-	-	-
④	-	-	-
⑤	-	-	-

	NOTE BEMERKUNG	TIGHTENING TORQUE ANZIEHMOMENT	WIDTH OVER FLATS SW
⑥	-	-	-
⑦	-	-	-
⑧	-	-	-
⑨	-	-	-
⑩	-	-	-
⑪	-	-	-
⑫	-	-	-
⑬	-	-	-
⑭	-	-	-
⑮	-	-	-
⑯	-	-	-
⑰	-	-	-
⑱	-	-	-
⑲	-	-	-
⑳	-	-	-

- ⑥ MAX. ROTARY OUTLINE
MAXIMALE ROTATIONSKONTUR
- ⑦ MAX. DISPLACEMENT
MAXIMALE VERSCHIEBUNG
- ⑧ PERMISSIBLE FITTING DIMENSION OF THE DISC
ZULASSIGES SCHEIBENEINBAUMASS
- ⑨ BRAKE DISC NEW 45-0.2 WEARABLE UP TO: 37
BREMSSCHEIBE NEU VERSCHLEISSBAR BIS:
- ⑩ ASSEMBLY DIMENSION FOR BRAKE PADS
EINBAUMASS FLUR BREMSBELAEGE
- ⑪ - - -
- ⑫ FORWARD DRIVE - ROTATION DIRECTION
VORWAERTS DREHRICHTUNG
- ⑬ ENVELOPE CURVE CALIPER WITH COVER
HUELLKURVE BREMSMATERIAL MIT DECKEL
- ⑭ ENVELOPE CURVE CARRIER
HUELLKURVE BREMSMATERIALTRAEGER
- ⑮ MAXIMUM DISC CLEARANCE
SCHEIBENFREIGANG
- ⑯ CENTER LINE CYLINDER
MITTE ZYLINDER
- ⑰ FOR SHIPMENT AND STORAGE
FLUR TRANSPORT UND LAGERUNG
- ⑱ HEXAGON WIDTH OVER FLATS
SECHSKANT SW
- ⑲ - - -
- ⑳ DETAILED INFORMATION FOR MARKING
DETAILIERTE INFORMATIONEN ZUR KENNZEICHNUNG 640 175 060 0 DOC. CODE 922

- ⑳ - - -
- ㉑ - - -
- ㉒ - - -
- ㉓ - - -
- ㉔ - - -
- ㉕ - - -
- ㉖ - - -
- ㉗ - - -
- ㉘ - - -
- ㉙ - - -
- ㉚ - - -
- ㉛ - - -
- ㉜ - - -
- ㉝ - - -
- ㉞ - - -
- ㉟ BRAKE ACTUATOR SIZE RESTRICTION SEE PART SPECIFICATION 640 225 007 0
ZYLINDERANSCHLUSSMASSE NACH PART SPEZIFIKATION MAX. ACTUATOR TYPE 24
MAX. ZYLINDER TYP

COATING
ANTI-CORROSION PROTECTION - SALT SPRAY TEST MIN. 96 HOURS
BESCHICHTUNG
KORROSIONSSCHUTZ-SALZSPRUEHNELPRUEF. MIN. 96 STD.

40 225 116	MIRROR IMAGE SPIEGELBILD	PAN22-1
40 225 115	AS SHOWN WIE GEZEICHNET	
IDENT-NO BRAKE MATERIAL-NR. BREMSE		PRODUCT SPECIFICATION: PRODUKT SPEZIFIKATION: 640 225 007 0
BRAKE TYPE AUSFUEHRUNG BREMSE		DIMENSIONS WITHOUT TOLERANCES ARE GAUGE DIMENSIONS NICHT TOLERIERTE MASSE • LEHRENMASSE

General Specification: ISO 8015, EN-534-1, Size ISO 14405 LP	Copyright: WABCO	Disc Code: Sinters	WABCO DISC BRAKE PAN-RANGE LIGHT SCHEIBENREMSE PAN-REIHE LEICHT	
Further Technical Data: Sheet 1 of 1	Date: 2023-03-15	Drawn: Sinters	Checked: Radmann	Medium: X
General Tolerances: ISO 2011	Revision: 1	Date of First Issue: 2006-07-07	Doc. Code: Language: 053 DE 1/1	Sheet: 1 of 1
Range of nominal dimensions in mm	Class	Deviation in mm	Material No.: 40 225 015	Part No.: 6921
50 - 180 - 400 - 400	H1	±0.05	31.369	1:1
180 - 400 - 400	H2	±0.1	(115)	
400 - 400	H3	±0.15		
400 - 400	H4	±0.2		
400 - 400	H5	±0.25		
400 - 400	H6	±0.3		
400 - 400	H7	±0.4		
400 - 400	H8	±0.5		
400 - 400	H9	±0.6		
400 - 400	H10	±0.7		
400 - 400	H11	±0.8		
400 - 400	H12	±0.9		
400 - 400	H13	±1.0		
400 - 400	H14	±1.2		
400 - 400	H15	±1.5		
400 - 400	H16	±2.0		
400 - 400	H17	±2.5		
400 - 400	H18	±3.0		
400 - 400	H19	±4.0		
400 - 400	H20	±5.0		