



OptiLock™

LOCKING SYSTEMS





OptiLock™

Thoroughly secures your load, providing peace of mind at all times.

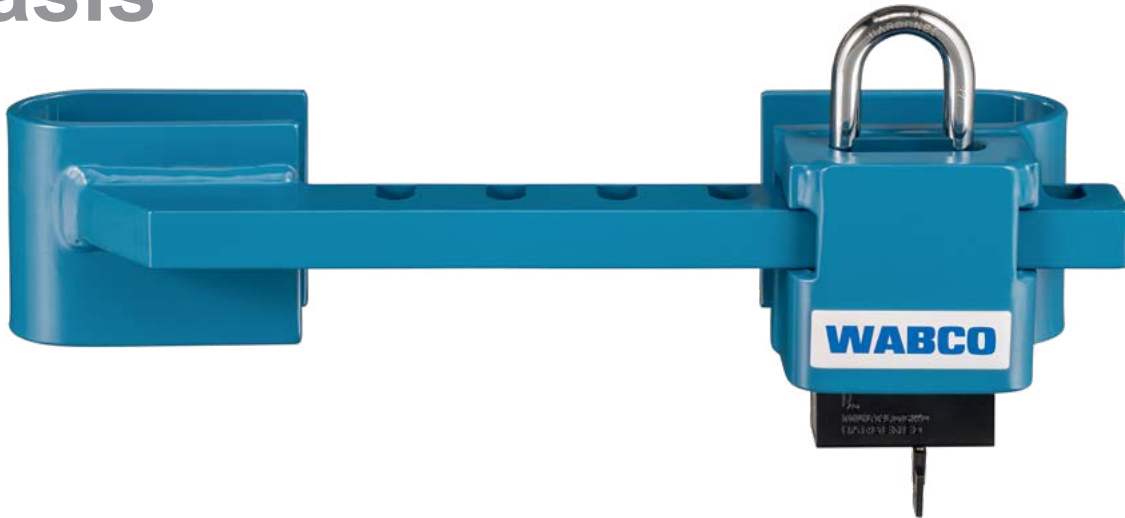
Ask any fleet operator: trailers are vulnerable. Whether parked in the marshalling yard, stopped at a service station or even driving on public roads, trailer breaches are commonplace. To help prevent this problem, WABCO offers OptiLock™, a range of high-quality mechanical and electronic locking systems, tailored to your needs and most vehicle applications, all designed to ensure your freight arrives at its destination intact, on-time and uncontaminated. Of course, theft is not the only threat caused by an unsecured door. The modern freight hauler has to guard against the substitution of genuine goods with counterfeits, the transportation of unregistered goods, and even the risk of inadvertent human trafficking. At their most sophisticated, WABCO OptiLock™ solutions provide more than just a method of securing a door, they also provide a record of guardianship, for example by preventing temperature changes due to unauthorized opening of refrigerated trucks. In the modern world, OptiLock™ electronic solutions provide the peace of mind a padlock cannot provide.





Door Lock System

Basis



Basis is a flexible, mechanical security system designed for use with door bars. No mounting is required so the system can be transferred from trailer to trailer.



Benefits

- Helps prevent theft and exchange of goods
- Helps prevent interruption of the cooling chain
- Helps prevent transport of unregistered goods

Features

- Padlock is completely covered by Basis
- No mounting required (variable attachment)
- Solid, weather-resistant steel locking system
- Set incl. Mul-T-Lock® padlock available (norm EN 12320, Grade 4 security); anti-drill protection
- For door bar distances from 200 to 450 mm
- Keyed alike closure (ka) and master closure available for an additional charge

Application

- Containers
- Swap bodies
- Trailers with door bars on the outside

Handling & Mounting

- The Basis security system is placed around the door bars left and right of the door centre and locked with the padlock.

Dimensions

- 👤 approx. 8 kg
- ↔ approx. 470 mm × 100 mm × 100 mm

PRODUCT

Basis kd with Padlock	400 608 050 0
Basis ka with Padlock	400 608 051 0
Basis mkd with Padlock	400 608 053 0
Basis mka with Padlock	400 608 054 0

PRODUCT

Basis without Padlock	183 210 061 2
13 mm Padlock kd	183 100 001 4

Omega can be taken into consideration for upgrading the security level.

Keyed different (kd) 3 keys per lock. The keys can only open one lock.

Master keyed different (mkd) 3 keys per lock + 1 master key per master system. The keys can only open one lock. The master key can open all the locks in the master system.

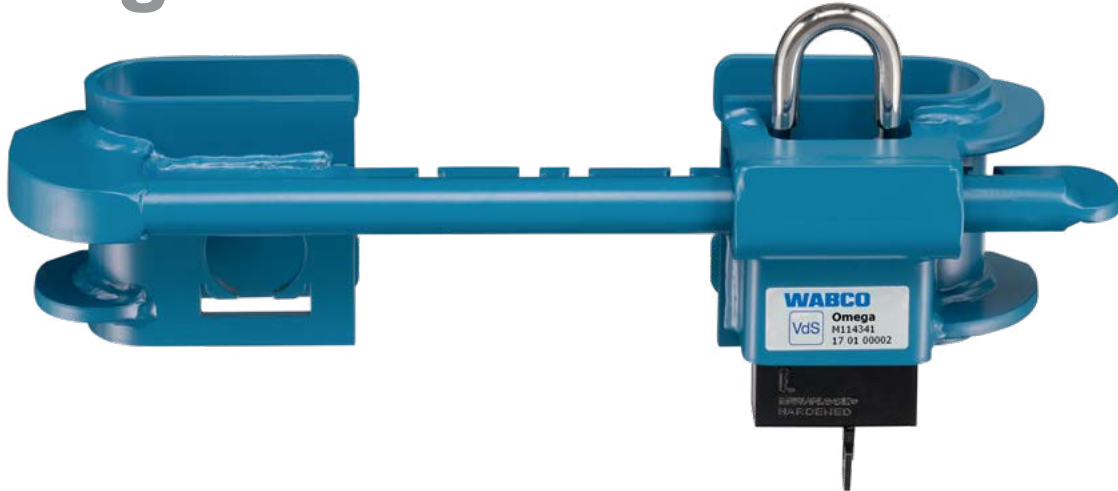
Keyed alike (ka) 1 key per lock + 1 spare key per ka system. All locks with the same ka closure can be opened with one key.

Master keyed alike (mka) 1 key per lock + 1 spare key per ka system + 1 master key per master system. All locks with the same ka closure can be opened with one key. The master key can open all the locks in the master system.



Door Lock System

Omega



Omega is a flexible mechanical security solution intended for use with door bars. It provides a tamper-proof design.



Benefits

- Helps prevent theft and exchange of goods
- Helps prevent interruption of the cooling chain
- Helps prevent transport of unregistered goods

Features

- The elements are forked around the door bar distance holders to prevent Omega from being moved up or down
- The padlock is completely covered by the Omega element
- No mounting required
- Solid, weather-resistant steel
- Innovative saw protection
- For door bar distances from 225 to 435 mm
- Set incl. Mul-T-Lock® padlock available (norm EN 12320, Grade 4 security); anti-drill protection
- Keyed alike closure (ka) and master closure available for an additional charge

Application

- Containers
- Swap bodies
- Trailers with door bars on the outside

Handling & Mounting

- The forked components of the Omega system be hooked into the door bar distance holders.
- The elements are locked with a padlock.

Certification

- Certified: VdS M114341 (Germany); only valid with 13 mm Mul-T-Lock® padlock
- Suitable for TAPA TSR certification

Dimensions

- approx. 7.5 kg
- approx. 455 mm × 105 mm × 100 mm

PRODUCT	PART. NO.
Omega kd with Padlock	400 608 150 0
Omega ka with Padlock	400 608 151 0
Omega mkd with Padlock	400 608 153 0
Omega mka with Padlock	400 608 154 0

PRODUCT	PART. NO.
Omega without Padlock	183 210 080 2
13 mm Padlock kd	183 100 001 4

Keyed different (kd) 3 keys per lock. The keys can only open one lock.

Master keyed different (mkd) 3 keys per lock + 1 master key per master system. The keys can only open one lock. The master key can open all the locks in the master system.

Keyed alike (ka) 1 key per lock + 1 spare key per ka system. All locks with the same ka closure can be opened with one key.

Master keyed alike (mka) 1 key per lock + 1 spare key per ka system + 1 master key per master system. All locks with the same ka closure can be opened with one key. The master key can open all the locks in the master system.



Door Lock System

One Way



One Way is a single-use keyless locking and sealing system that requires a steel rope and bolt which are physically severed to open the door. Featuring proof against tampering with easy-to-recognise serial numbers, One Way is a simple and effective security solution.



Benefits

- Locks and seals at the same time
- One-time use
- No mounting required
- No key is required to open it; the steel rope and door bolt have to be severed
- A serial number on each part allows tracking of the sealing state

Features

- Solid, weather-resistant steel closure
- Three parts: Door bar bolt, locking piece and steel rope with lead seal
- Minimum order quantity: 20 pcs.
- For door bar distances from 265 to 470 mm

Application

- Containers (transport)

Handling & Mounting

- The One Way locks and seals door bars and blocks one door handle.
- The steel rope and bolt have to be physically severed to open it.

Certification

- Compliant with ISO/PAS 17712:2013 norm (C-TPAT Best Practice)
- Suitable for TAPA TSR certification

Dimensions

- approx. 1.5 kg
- approx. 510 mm × 69 mm × 52 mm
- approx. 3.8 mm

PRODUCT

One Way

PART. NO.

183 210 160 0

Keyed different (kd) 3 keys per lock. The keys can only open one lock.

Master keyed different (mkd) 3 keys per lock + 1 master key per master system. The keys can only open one lock. The master key can open all the locks in the master system.

Keyed alike (ka) 1 key per lock + 1 spare key per ka system. All locks with the same ka closure can be opened with one key.

Master keyed alike (mka) 1 key per lock + 1 spare key per ka system + 1 master key per master system. All locks with the same ka closure can be opened with one key. The master key can open all the locks in the master system.



Door Lock System

TTB



TTB is a fixed mechanical padlock system for swing doors of a mixed screwed and welded design.



Benefits

- Helps prevent theft and exchange of goods
- Helps prevent interruption of the cooling chain
- Helps prevent transport of unregistered goods

Features

- The padlock is completely covered by the TTB element
- Solid, weather-resistant steel bar / clamp
- Available in two variants: Steel, stainless steel
- Fixed mounting (one element screwed to the left corner of the right door; one element welded to the trailer crossbar)
- Mounting material included
- Optional locking plate available for locking the left door
- Set incl. Mul-T-Lock® padlock available (norm EN 12320, Grade 4 security); anti-drill protection
- Keyed alike closure (ka) and master closure available for an additional charge

Application

- Swap bodies
- Trailers with swing doors

Handling & Mounting

- After fixed mounting, the door is locked by inserting the padlock.
- Mounting required.

Certification

- Suitable for TAPA TSR certification

Dimensions

- approx. 7.5 kg
- approx. 210 mm × 200 mm × 60 mm

Assembly

- approx. 90 min.
- Tools are required

PRODUCT

PRODUCT	PART. NO.
TTB kd with Padlock	400 608 100 0
TTB ka with Padlock	400 608 101 0
TTB mkd with Padlock	400 608 104 0
TTB mka with Padlock	400 608 106 0
TTB without Padlock	183 210 040 2
13 mm Padlock kd	183 100 001 4

PRODUCT

PRODUCT	PART. NO.
TTB (stainless steel) kd with Padlock	400 608 102 0
TTB (stainless steel) ka with Padlock	400 608 103 0
TTB (stainless steel) mkd with Padlock	400 608 105 0
TTB (stainless steel) mka with Padlock	400 608 107 0
TTB (stainless steel) without Padlock	183 210 041 2
Locking element	183 510 060 4

Keyed different (kd) 3 keys per lock. The keys can only open one lock.

Master keyed different (mkd) 3 keys per lock + 1 master key per master system. The keys can only open one lock. The master key can open all the locks in the master system.

Keyed alike (ka) 1 key per lock + 1 spare key per ka system. All locks with the same ka closure can be opened with one key.

Master keyed alike (mka) 1 key per lock + 1 spare key per ka system + 1 master key per master system. All locks with the same ka closure can be opened with one key. The master key can open all the locks in the master system.



Door Lock System

TLB



TLB is a fixed mechanical, padlock-operated system designed for swing doors, that can also be used for insulated doors.



Benefits

- Helps prevent theft and exchange of goods
- Helps prevent interruption of the cooling chain
- Helps prevent transport of unregistered goods

Features

- The padlock is completely covered by the TLB element
- Locks both doors
- Solid, weather-resistant steel closure
- Fixed mounting (two elements screwed into position) on the doors
- Mounting material included – distance sleeves for insulated doors available
- Set incl. Mul-T-Lock® padlock available (norm EN 12320, Grade 4 security); anti-drill protection
- Keyed alike closure (ka) and master closure available for an additional charge

Application

- Containers
- Swap bodies
- Trailer

Handling & Mounting

- After fixed mounting, the door is locked by inserting the padlock.

Certification

- Certified: VdS M118313 (Germany); only valid with 13 mm Mul-T-Lock® padlock
- Suitable for TAPA TSR certification

Dimensions

- approx. 5 kg
- approx. 151 mm × 105 mm × 53 mm

Assembly

- approx. 60 min.
- Tools are required

PRODUCT	PART. NO.
TLB kd with Padlock	400 608 200 0
TLB ka with Padlock	400 608 202 0
TLB mkd with Padlock	400 608 201 0
TLB mka with Padlock	400 608 203 0

PRODUCT	PART. NO.
TLB without Padlock	183 410 406 0
13 mm Padlock kd	183 100 001 4

Keyed different (kd) 3 keys per lock. The keys can only open one lock.

Master keyed different (mkd) 3 keys per lock + 1 master key per master system. The keys can only open one lock. The master key can open all the locks in the master system.

Keyed alike (ka) 1 key per lock + 1 spare key per ka system. All locks with the same ka closure can be opened with one key.

Master keyed alike (mka) 1 key per lock + 1 spare key per ka system + 1 master key per master system. All locks with the same ka closure can be opened with one key. The master key can open all the locks in the master system.



Accessories

Padlock



Sturdy padlock for use with mechanical security solutions.



Benefits

- Helps prevent theft and exchange of goods
- Helps prevent interruption of the cooling chain
- Helps prevent transport of unregistered goods
- Easy to lock and unlock with one key

Features

- Hardened black steel padlock
- Shackle can be completely removed
- Cap over the keyhole helps to prevent intrusion of dirt and other contaminants
- Certified high security padlock from Mul-T-Lock®; anti-drill protection
- Keyed alike closure (ka) and master closure available for an additional charge

Application

- Basis
- Omega
- TTB
- TLB
- Drawbar B

Handling & Mounting

- The padlock is locked using the key to insert the shackle into the body.
- The keys also have to be used to open the padlock and remove the shackle.

PRODUCT	PART. NO.
13 mm Padlock kd	183 100 001 4
13 mm Padlock ka	183 100 003 4
13 mm Padlock mkd-i	183 100 010 4
13 mm Padlock mka-i	183 100 011 4

Keyed different (kd) 3 keys per lock. The keys can only open one lock.

Master keyed different (mkd) 3 keys per lock + 1 master key per master system. The keys can only open one lock. The master key can open all the locks in the master system.

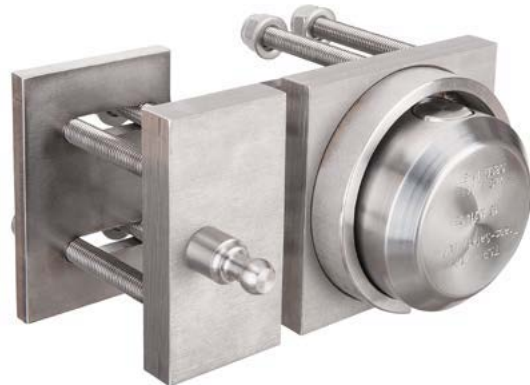
Keyed alike (ka) 1 key per lock + 1 spare key per ka system. All locks with the same ka closure can be opened with one key.

Master keyed alike (mka) 1 key per lock + 1 spare key per ka system + 1 master key per master system. All locks with the same ka closure can be opened with one key. The master key can open all the locks in the master system.



Door Lock System

TSR-2fiXX



TSR-2fiXX is a certified fixed security solution for swing doors. It is a stainless steel mechanical solution with an integrated ABLOY® cylinder that can be bolted to the door. It offers anti-drill protection.



Benefits

- Helps prevent theft and exchange of goods
- Helps prevent interruption of the cooling chain
- Helps prevent transport of unregistered goods
- Easy to lock and unlock with one key

Features

- Made entirely from stainless steel
- Fixed mounting (the components are screwed into position)
- Separate parking bracket for the lock housing
- Mounting material included
- Integrated, patented ABLOY® cylinder with ABLOY® PROTEC keys
- Cylinder with anti-drill protection; replaceable
- Keyed alike closure (ka) and master closure available for an additional charge

Application

- Containers
- Swap bodies
- Trailer

Handling & Mounting

- Both doors are connected from the inside and are locked with the lock housing.

Certification

- Certified: VdS M 106339 (Germany)
only valid with ASSA ABLOY® cylinder CL684N
- Certified: SBSC No. 10-377 (Sweden)
only valid with ASSA ABLOY® cylinder CL684N
- Suitable for TAPA TSR certification

Dimensions

- 📏 approx. 8 kg
- ↔ approx. 185 mm × 120 mm × 40 mm

Assembly

- 🕒 approx. 120 min.
- 🔧 Tools are required

PRODUCT	PART. NO.
TSR-2fiXX kd (incl. cylinder)	183 410 006 2
TSR-2fiXX ka (incl. cylinder)	183 410 001 0
TSR-2fiXX mkd (incl. cylinder)	183 410 006 0
TSR-2fiXX Housing head without cylinder	183 210 000 4

PRODUCT	PART. NO.
ABLOY® Cylinder CL684 kd	183 120 001 4

Also available in welded version: TSR-2fiXX weld (part number: 183 410 007 2)

Keyed different (kd) 3 keys per lock. The keys can only open one lock.

Master keyed different (mkd) 3 keys per lock + 1 master key per master system. The keys can only open one lock. The master key can open all the locks in the master system.

Keyed alike (ka) 1 key per lock + 1 spare key per ka system. All locks with the same ka closure can be opened with one key.

Master keyed alike (mka) 1 key per lock + 1 spare key per ka system + 1 master key per master system. All locks with the same ka closure can be opened with one key. The master key can open all the locks in the master system.



Door Lock System

TSR-2fiXX weld



TSR-2fiXX weld is a certified fixed security solution for swing doors. It is a stainless steel mechanical solution with an integrated ABLOY® cylinder that can be welded to the door. It offers anti-drill protection.



Benefits

- Helps prevent theft and exchange of goods
- Helps prevent interruption of the cooling chain
- Helps prevent transport of unregistered goods
- Easy to lock and unlock with one key

Features

- Made of solid steel
- Fixed mounting (two components that are welded to the doors)
- Separate parking bracket for the housing head
- Not suitable for insulated or panel doors
- Integrated, patented ABLOY® cylinder with ABLOY® PROTEC keys
- Cylinder with anti-drill protection; replaceable
- Keyed alike closure (ka) and master closure available for an additional charge

Application

- Containers
- Swap bodies
- Trailer

Handling & Mounting

- After the fixed mounting, both doors are connected from the inside and are locked by the lock housing.

Certification

- Certified: VdS M 106339 (Germany)
only valid with ASSA ABLOY® cylinder CL684N
- Certified: SBSC No. 10-377 (Sweden)
only valid with ASSA ABLOY® cylinder CL684N
- Suitable for TAPA TSR certification

Dimensions

- 📏 approx. 5 kg
- 📏 approx. 122 mm × 120 mm × 40 mm

Assembly

- 🕒 approx. 90 min.
- 🔧 Tools are required

PRODUCT

TSR-2fiXX weld kd (incl. cylinder)

TSR-2fiXX weld ka (incl. cylinder)

TSR-2fiXX weld mkd (incl. cylinder)

TSR-2fiXX housing without cylinder

PART. NO.

183 410 007 2

183 410 003 0

183 410 007 0

183 210 000 4

PRODUCT

ABLOY® Cylinder CL684 kd

PART. NO.

183 120 001 4

Also available in screwed version: TSR-2fiXX (part number: 183 410 006 2)

Keyed different (kd) 3 keys per lock. The keys can only open one lock.

Master keyed different (mkd) 3 keys per lock + 1 master key per master system. The keys can only open one lock. The master key can open all the locks in the master system.

Keyed alike (ka) 1 key per lock + 1 spare key per ka system. All locks with the same ka closure can be opened with one key.

Master keyed alike (mka) 1 key per lock + 1 spare key per ka system + 1 master key per master system. All locks with the same ka closure can be opened with one key. The master key can open all the locks in the master system.



Vehicle Securing Device

Drawbar C



Drawbar C is a mechanical locking system designed to prevent the theft of drawbar trailers. It is a pin lock system that is opened with one key.



Benefits

- Helps avoid theft
- Helps avoid coupling the wrong trailer
- Can be used for organisational purposes as the vehicle is identified with the lock

Features

- No mounting required (variable attachment)
- Solid, weather-resistant steel closure with safety reflector
- Integrated, patented ABLOY® cylinder with ABLOY® PROTEC keys
- Cylinder with anti-drill protection; replaceable
- Keyed alike closure (ka) and master closure available for an additional charge

Application

- Drawbar trailers (eyelets with diameter of 38 - 50 mm)

Handling & Mounting

- The Drawbar C is pushed over the trailer eyelet and locked by the pin being pushed upwards and engaging in position. It is locked by means of a cylinder lock that is opened with a key. When attaching it, the bolt must face downwards (towards the ground).

Dimensions

- approx. 4 kg
- Inside approx. 145 mm × 63 mm × 120 mm

PRODUCT

Drawbar C kd (incl. cylinder)
Drawbar C ka (incl. cylinder)
ABLOY® Cylinder CL290N kd

PART. NO.

183 440 000 0
183 440 001 0
183 120 020 4

Keyed different (kd) 3 keys per lock. The keys can only open one lock.

Master keyed different (mkd) 3 keys per lock + 1 master key per master system. The keys can only open one lock. The master key can open all the locks in the master system.

Keyed alike (ka) 1 key per lock + 1 spare key per ka system. All locks with the same ka closure can be opened with one key.

Master keyed alike (mka) 1 key per lock + 1 spare key per ka system + 1 master key per master system. All locks with the same ka closure can be opened with one key. The master key can open all the locks in the master system.



Vehicle Securing Device

King Pin C



King Pin C prevents the theft of unattached trailers while, having the secondary function of clearly identifying them. It is simple to use and requires no installation.



Benefits

- Helps avoid theft
- Helps avoid coupling the wrong trailer
- Can be used for organisational purposes as the vehicle is identified with the lock

Features

- Solid, weather-resistant steel
- Housing in a signal colour
- Yellow tape for easily locating the trailer and establishing whether it is locked
- No mounting required
- Only for 2" (Ø 75 mm) king pins
- Integrated, patented ABLOY® cylinder with ABLOY® PROTEC keys
- Cylinder with anti-drill protection; replaceable
- Keyed alike closure (ka) and master closure available for an additional charge

Application

- Semitrailers with 2" (Ø 75 mm) king pin


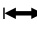

Handling & Mounting

- The King Pin C is placed over the king pin and locked with a key.
- The screws of the king pin are automatically covered.

Certification

- Suitable for TAPA TSR certification

Dimensions

-  approx. 2.5 kg
-  Ø 215 mm × 110 mm
-  5 mm

PRODUCT

King Pin C kd (incl. cylinder)
King Pin C ka (incl. cylinder)
King Pin C mkd (incl. cylinder)
ABLOY® Cylinder CL684 kd

PART. NO.

183 440 100 0
183 440 101 0
183 440 103 0
183 120 001 4

Keyed different (kd) 3 keys per lock. The keys can only open one lock.

Master keyed different (mkd) 3 keys per lock + 1 master key per master system. The keys can only open one lock. The master key can open all the locks in the master system.

Keyed alike (ka) 1 key per lock + 1 spare key per ka system. All locks with the same ka closure can be opened with one key.

Master keyed alike (mka) 1 key per lock + 1 spare key per ka system + 1 master key per master system. All locks with the same ka closure can be opened with one key. The master key can open all the locks in the master system.



Vehicle Securing Device

W45



The W45 is a flexible solution designed to prevent unattached swap bodies from being picked up without authorisation. It is an anti-theft device with organisational benefits since the swap bodies can be easily identified from the markings on the lock.



Benefits

- Helps prevent theft of swap bodies
- Helps prevent mixing up parked swap bodies
- Can be used for organisational purposes as the swap body is identified with the lock

Features

- Solid, weather-resistant steel bar lock with two safety reflectors
- No mounting required
- Integrated, patented ABLOY® cylinder with ABLOY® PROTEC keys
- Cylinder with anti-drill protection; replaceable
- Keyed alike closure (ka) and master closure available for an additional charge

Application

- Swap bodies

Handling & Mounting

- The W45 is hooked into the corner bracket and locked with a key.
- A key is required to open it.

Dimensions

- approx. 5.5 kg
- approx. 450 mm × 115 mm × 70 mm

PRODUCT	PART. NO.
W45 kd (incl. cylinder)	183 440 203 0
W45 ka (incl. cylinder)	183 440 204 0
W45 mkd (incl. cylinder)	183 440 205 0
ABLOY® Cylinder CL684 kd	183 120 001 4

Keyed different (kd) 3 keys per lock. The keys can only open one lock.

Master keyed different (mkd) 3 keys per lock + 1 master key per master system. The keys can only open one lock. The master key can open all the locks in the master system.

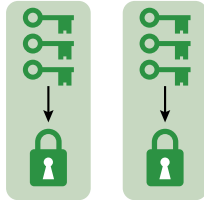
Keyed alike (ka) 1 key per lock + 1 spare key per ka system. All locks with the same ka closure can be opened with one key.

Master keyed alike (mka) 1 key per lock + 1 spare key per ka system + 1 master key per master system. All locks with the same ka closure can be opened with one key. The master key can open all the locks in the master system.



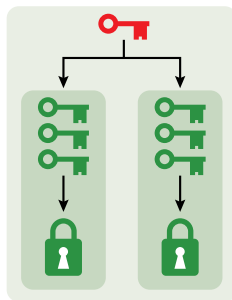
Closure Variants

Keyed different (kd)



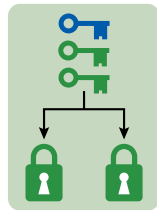
- 3 keys per lock
- The keys can only open one lock.

Master keyed different (mkd)



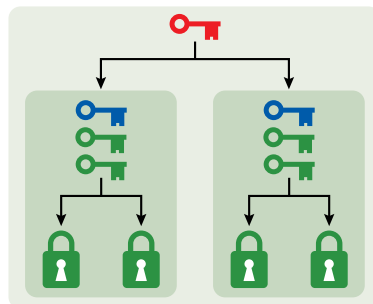
- 3 keys per lock,
1 master key per master system
- The keys can only open one lock.
- The master key can open all the locks in the master system.

Keyed alike (ka)



- 1 key per lock,
1 spare key per ka system
- All locks with the same ka closure can be opened with one key.

Master keyed alike (mka)



- 1 key per lock,
1 spare key per ka system,
1 master key per master system
- All locks with the same ka closure can be opened with one key.
- The master key can open all the locks in the master system.



a **WORLD** of
DIFFERENCE

Safety • Efficiency • Connectivity

About WABCO

WABCO (NYSE: WBC) is a leading global supplier of technologies and services that improve the safety, efficiency and connectivity of commercial vehicles. Originating from the Westinghouse Air Brake Company founded nearly 150 years ago, WABCO continues to pioneer breakthrough innovations to enable autonomous driving in the commercial vehicle industry. Today, leading truck, bus and trailer brands worldwide rely on WABCO's differentiating technologies, including advanced driver assistance, braking, steering and stability control systems. Powered by its vision for accident-free driving and greener transportation solutions, WABCO is also at the forefront of advanced fleet management systems that contribute to commercial fleet efficiency. In 2017, WABCO reported sales of \$3.3 billion and has nearly 15,000 employees in 40 countries.

For more information, visit

www.wabco-auto.com



Retrofit Solutions

WABCO