

1

2

3

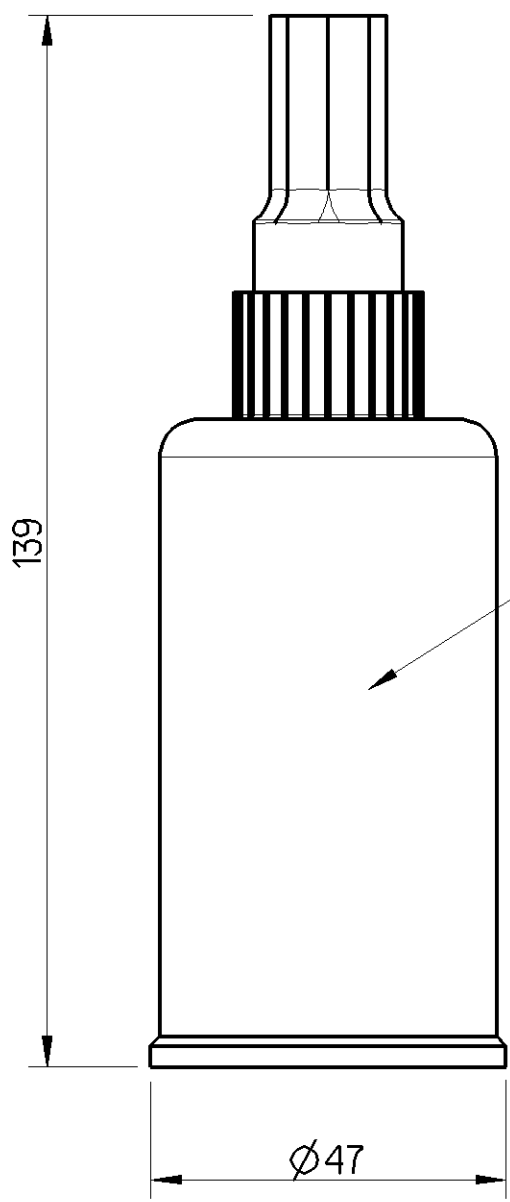
4

Non e permesso consegnare a terzi o riprodurre questo documento, ne utilizzare il contenuto o renderlo comunque noto a terzi senza autorizzazione esplicita. Ogni infrazione costituira un evidente abuso e comportera il risarcimento dei danni subiti. E' fatta riserva di tutti i diritti derivanti da brevetti o modelli.

Copying of this document and giving it to others and the use or communication of the contents thereof, are forbidden without express authority. Contravention of this restriction will constitute an evident abuse and result in a liability to the payment of damages. All rights are reserved in the event of the grant of patent or registration of a utility model or design. This document is the subject of copyright.

Toute communication ou reproduction de ce document, toute exploitation ou communication de son contenu sont interdites, sauf autorisation expresse. Tout manquement a cette regle constitue un abus evident et expose son auteur au versement de dommages et interets. Tous droits de proprieete industrielle reserves, notamment en matiere de brevets et de modeles.

Weitergabe sowie Vervielfaeltigung dieser Unterlage, Verwertung und Mitteilung ihres Inhalts nicht gestattet, soweit nicht ausdruecklich zugestanden. Zuwiderhandlungen stellen einen offensichtlichlichen Missbrauch dar und Alle Rechte fuer den Fall der Patenterteilung oder Gebrauchsmuster-Eintragung vorbehalten.



PACKAGING LAYOUT
IN ACCORDANCE WITH
LABELING INFORMATION
FOR MARKING (DOC. CODE 922)

<1> SAFETY CHARACTERISTICS	0
<2> SIGNIFICANT CHARACTERISTICS	0

A

B

C

D

General Specification		JED-334-0 , Size ISO 14405 E , JED-762		Rough Part No.				
-		-		-				
Treatment		Surface Protection		Material				
-		-		-				
Copyright WABCO®				 WABCOSEAL (50ml)				
Date	Signature							
Drawn		2016-11-28					Stefanczyk	
Checked		2016-11-29					Baut	
Expert							Voss	
Mass	Scale	Material No.			Date of first issue: 2016-11-29			
0.087 KG	1:1	830 407 084 4			Doc.Code	Language		
Size	CAD System				005	EN		
A 4	CREO				1/1			
		ECN-No.	Revision	Techn. Resp.	Replacement for			
		-	-	0964				

drw: 8304070844...006 / Version: / state: / mail: 8304070844...A01

F

