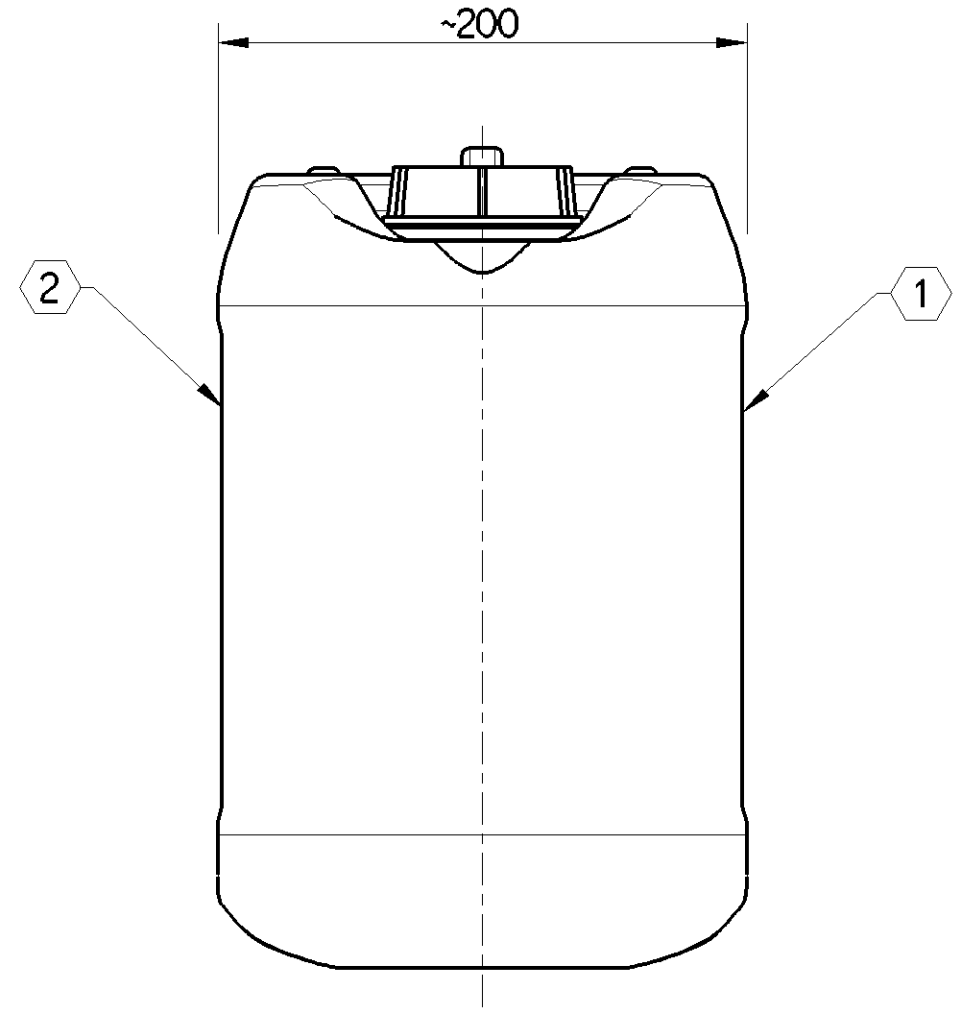
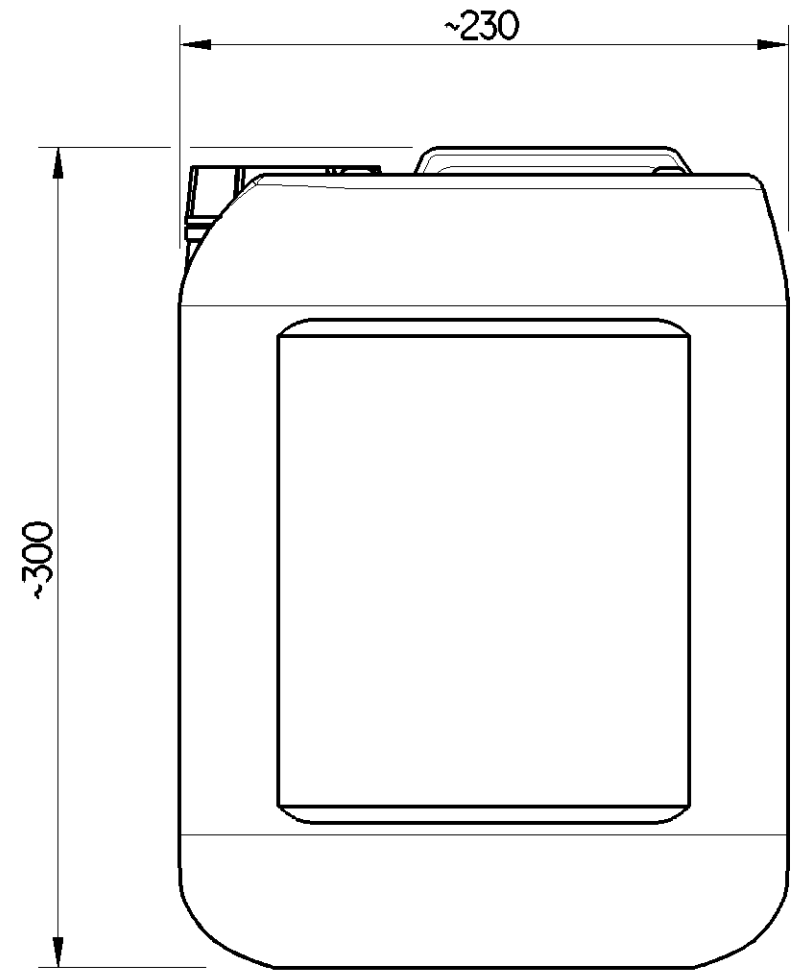
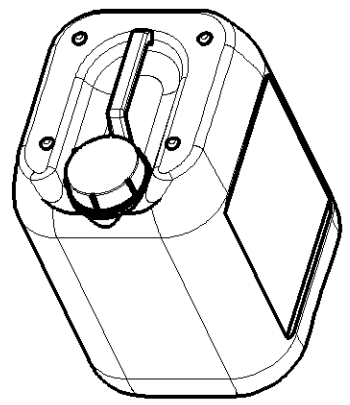


<1> SAFETY CHARACTERISTICS	0
<2> SIGNIFICANT CHARACTERISTICS	0



1 / 2 PACKAGING LAYOUT IN ACCORDANCE WITH LABELING INFORMATION FOR MARKING (DOC. CODE 922)



General Specification: JED-334-1, Size ISO 14405 LP					
Further Technical Data: Safety Data Sheet					
Doc. Code: O86			Sheet: 1 To 5		
General Tolerances JED-261					
	Range of Nominal Dimensions ( ± mm)				
Class 1)	≤ 50	> 50 ≤ 180	> 180 ≤ 400	> 400	∠
Fine	0.5	1.0	1.5	2.0	±3°
Medium	1.0	2.0	3.0	4.0	
Coarse	2.0	3.5	5.0	6.5	
Tapped Holes acc. -					
1) Tolerance Class Applied Crossmarked					

Copyright WABCO®		<b>WABCO</b>		WABCOHYL - 10L	
Date	Signature				
2017-12-13	Kolkowski				
2018-01-03	Boul				
Checked		Expert		Material No.	
Pawlowski		Pawlowski		830 702 088 4	
Mass	Scale	Date of first issue: 2018-01-03		Doc.Code Language Sheet	
27.5 KG	-	005 EN 1/1		005 EN 1/1	
Size	CAD System	ECN-No.	Revision	Techn. Resp.	Replacement for
A 3	CREO	-	-	0964	

Non e permesso consegnare a terzi o riprodurre questo documento, ne utilizzare il contenuto o renderlo comunque noto a terzi senza autorizzazione esplicita. Ogni infrazione costituirà un evidente abuso e comporterà il risarcimento dei danni subiti. E' fatto riserva di tutti i diritti derivanti da brevetti o modelli. Copying of this document and giving it to others and the use or communication of the contents thereof, are forbidden without express authority. Controvention of this restriction will constitute an evident abuse and result in a liability to the payment of damages. All rights are reserved in the event of the grant of patent or registration of a utility model or design. This document is the subject of copyright.

Toute communication ou reproduction de ce document, toute exploitation ou communication de son contenu sont interdites, sauf autorisation expresse. Tout manquement a cette regle constitue un abus evident et expose son auteur au versement de dommages et interets. Tous droits de propriete industrielle reserves, notamment en matiere de brevets et de modesles. Weitergabe sowie Vervielfaeligung dieser Unterlage, Verwertung und Mitteilung ihres Inhalts nicht gestattet, soweit nicht ausdruecklich zugestanden. Zuwiderhandlungen stellen einen offensichtlichlichen Misbrauch dar und verpflichten zu Schadenersatz. Alle Rechte fuer den Fall der Patentierung oder Gebrauchsmuster-Eintragung vorbehalten.