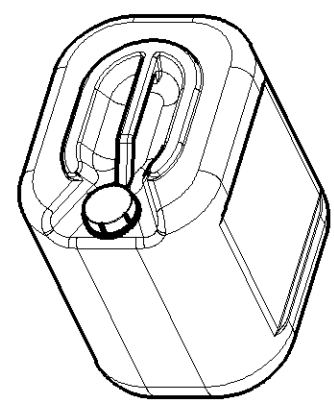
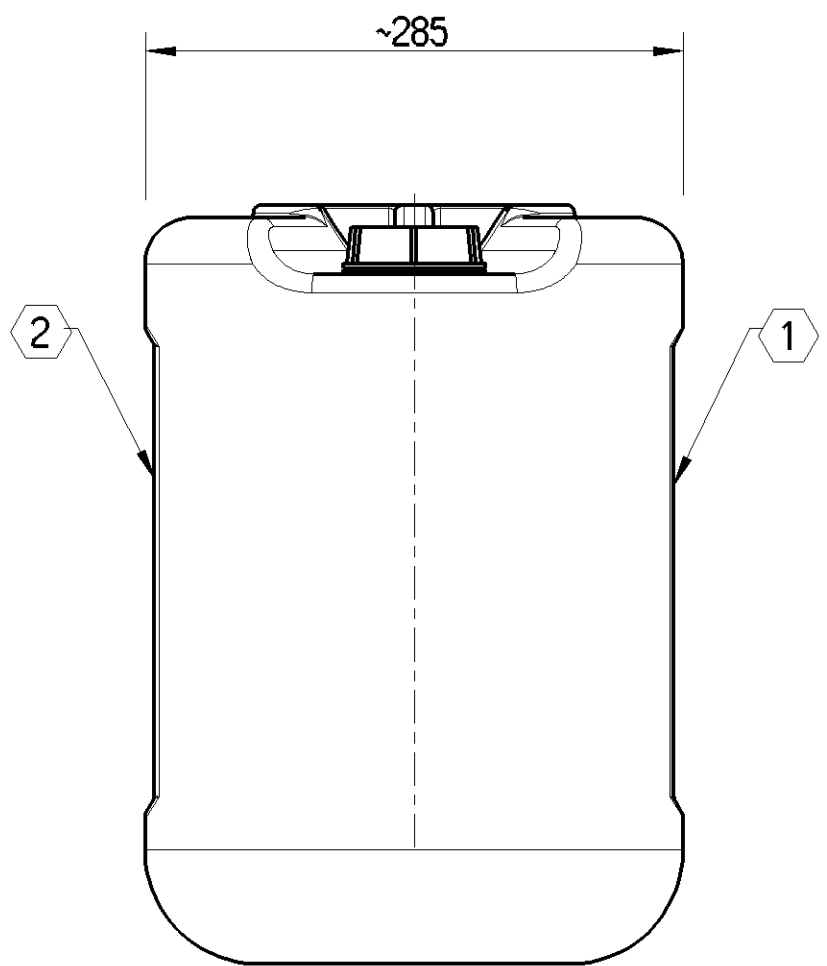
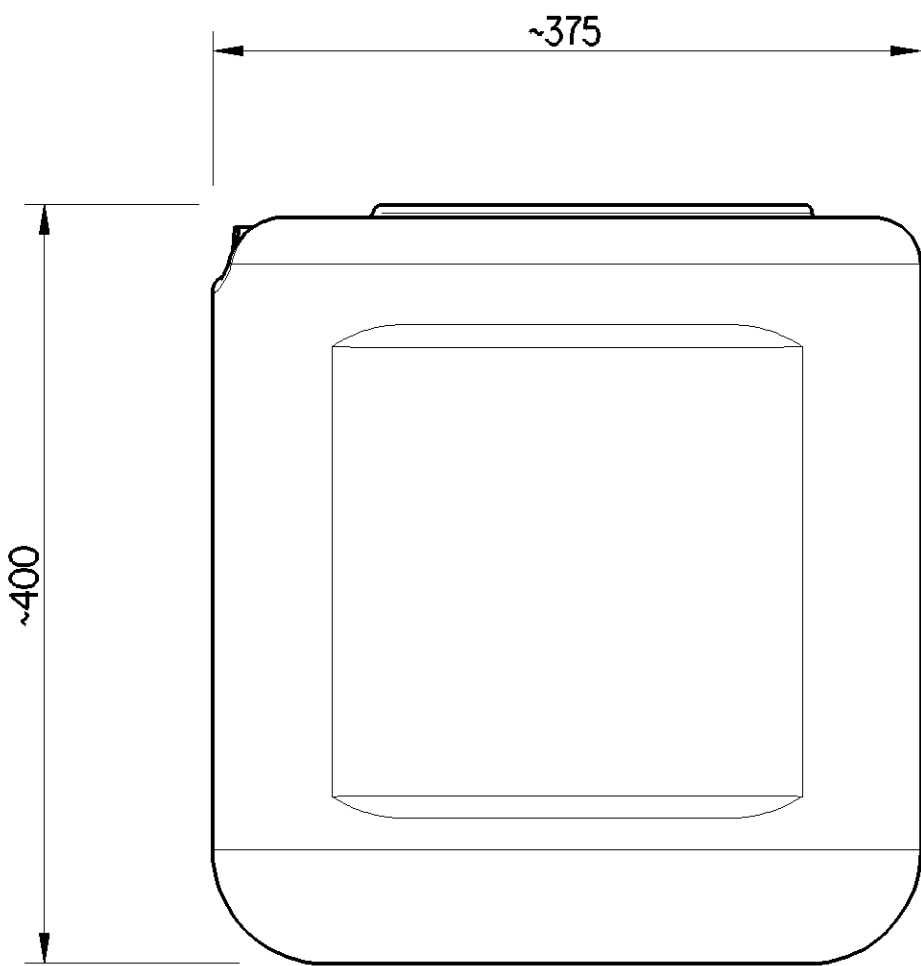


<1>	SAFETY CHARACTERISTICS	0
<2>	SIGNIFICANT CHARACTERISTICS	0



1 / 2 PACKAGING LAYOUT IN ACCORDANCE WITH LABELING INFORMATION FOR MARKING (DOC. CODE 922)

General Specification: JED-334-1, Size ISO 14405 LP		Copyright WABCO®		WABCO WABCOHYL - 30L				
Further Technical Data: Safety Data Sheet		Date	Signature					
Doc. Code: O86	Sheet: 1 To 5	2017-12-05	Kolkowski					
General Tolerances JED-261		Checked	2018-01-03				Boul	
Range of Nominal Dimensions (± mm)		Expert		Material No.				
Class 1)	≤ 50	> 50 ≤ 180	> 180 ≤ 400	> 400	Date of first issue: 2018-01-03			
Fine	0.5	1.0	1.5	2.0	830 702 089 4	Doc.Code	Language	Sheet
Medium	1.0	2.0	3.0	4.0		005	EN	1/1
Coarse	2.0	3.5	5.0	6.5		Replacement for		
Tapped Holes acc. -		Mass	Scale	ECN-No.			Revision	Techn. Resp.
1) Tolerance Class Applied Crossmarked		27.5 KG	-	A 3	CREO	-	-	0964

Non e permesso consegnare a terzi o riprodurre questo documento, ne utilizzare il contenuto o renderlo comunque noto a terzi senza autorizzazione esplicita. Ogni infrazione costituirà un evidente abuso e comporterà il risarcimento dei danni subiti. E' fatto riserva di tutti i diritti derivanti da brevetti o modelli. Copying of this document and giving it to others and the use or communication of the contents thereof, are forbidden without express authority. Controvention of this restriction will constitute an evident abuse and result in a liability to the payment of damages. All rights are reserved in the event of the grant of patent or registration of a utility model or design. This document is the subject of copyright.

Toute communication ou reproduction de ce document, toute exploitation ou communication de son contenu sont interdites, sauf autorisation expresse. Tout manquement a cette regle constitue un abus evident et expose son auteur au versement de dommages et interets. Tous droits de propriete industrielle reserves, notamment en matiere de brevets et de modesles. Weitergabe sowie Vervielfaeligung dieser Unterlage, Verwertung und Mitteilung ihres Inhalts nicht gestattet, soweit nicht ausdruecklich zugestanden. Zuwiderhandlungen stellen einen offensichtlichen Misbrauch dar und verpflichten zu Schadenersatz. Alle Rechte fuer den Fall der Patentierung oder Gebrauchsmuster-Eintragung vorbehalten.