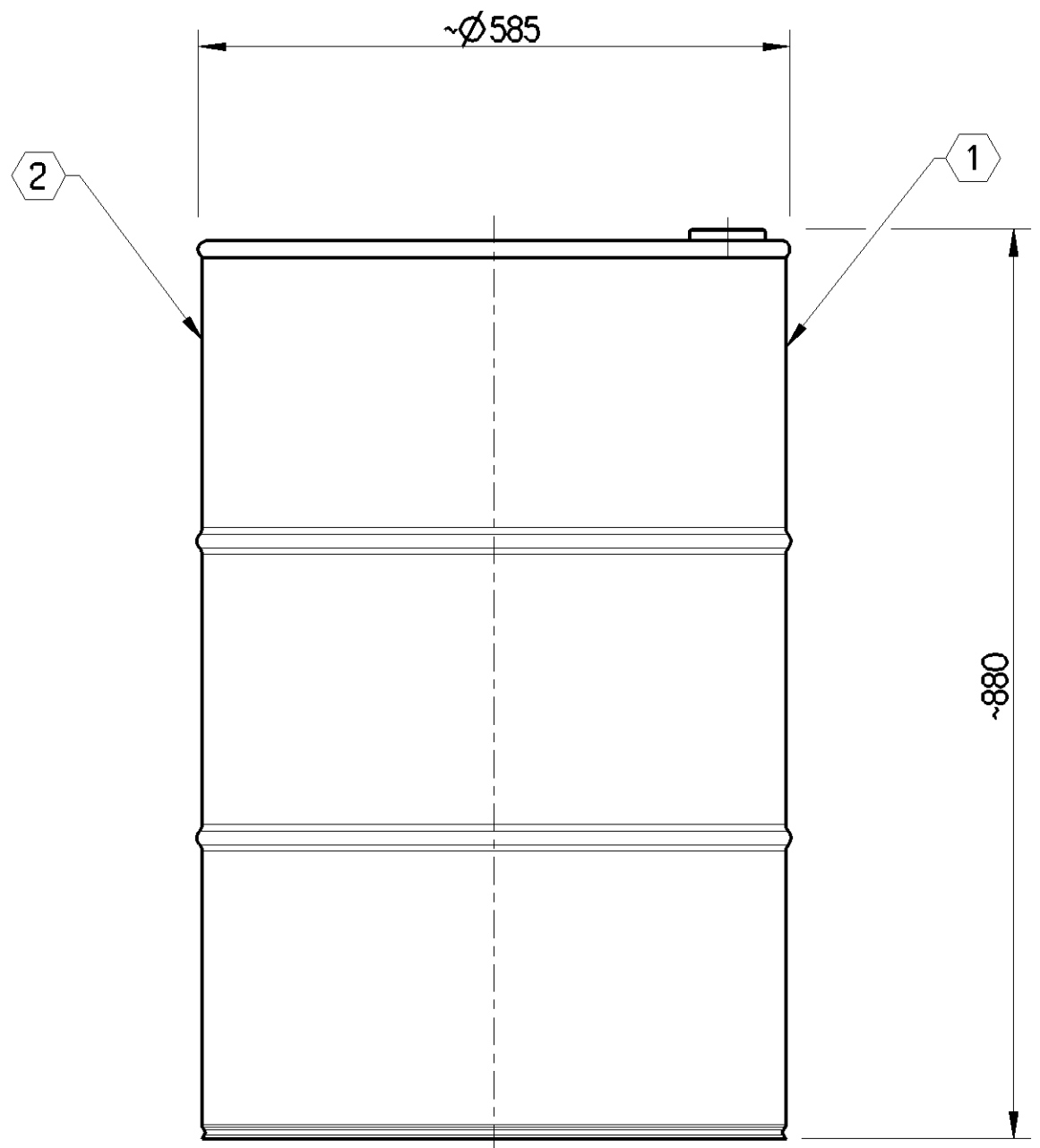


SAFETY CHARACTERISTICS	0
SIGNIFICANT CHARACTERISTICS	0



1 / 2 PACKAGING LAYOUT IN ACCORDANCE WITH LABELING INFORMATION FOR MARKING (DOC. CODE 922)

Non e permesso consegnare a terzi o riprodurre questo documento, ne utilizzare il contenuto o renderlo comunque noto a terzi senza autorizzazione esplicita. Ogni infrazione costituirà un evidente abuso e comporterà il risarcimento dei danni subiti. E' fatto riserva di tutti i diritti derivanti da brevetti o modelli.

Toute communication ou reproduction de ce document, toute exploitation ou communication de son contenu sont interdites, sauf autorisation expresse. Tout manquement a cette regle constitue un abus evident et expose son auteur au versement de dommages et interets. Tous droits de propriete industrielle reserves, notamment en matiere de brevets et de modesles.

Copying of this document and giving it to others and the use or communication of the contents thereof, are forbidden without express authority. Controvention of this restriction will constitute an evident abuse and result in a liability to the payment of damages. All rights are reserved in the event of the grant of patent or registration of a utility model or design. This document is the subject of copyright.

General Specification: JED-334-1, Size ISO 14405 LP						
Further Technical Data: Safety Data Sheet						
Doc. Code: 086			Sheet: 1 To 5			
General Tolerances JED-261						
Class	Range of Nominal Dimensions ( ± mm)					±3°
	≤ 50	> 50 ≤ 180	> 180 ≤ 400	> 400		
	Fine	0.5	1.0	1.5	2.0	
	Medium	1.0	2.0	3.0	4.0	
Coarse	2.0	3.5	5.0	6.5		
Tapped Holes acc. -						
1) Tolerance Class Applied Crossmarked						

Copyright WABCO®	
Date	Signature
Drawn	
2017-12-05	Kolkowski
Checked	
2018-01-03	Boul
Expert	
Pawlowski	
Mass	Scale
182 KG	-
Size	CAD System
A 3	CREO

<b>WABCO</b>			WABCOHYL - 200L		
Material No.		Date of first issue: 2018-01-03			
830 702 090 4		Doc.Code	Language	Sheet	
		005	EN	1/1	
ECN-No.	Revision	Techn. Resp.	Replacement for		
-	-	0964			

draw: 8307020904...005 / Version: -2 / state: Under Review / 8307020904...A01