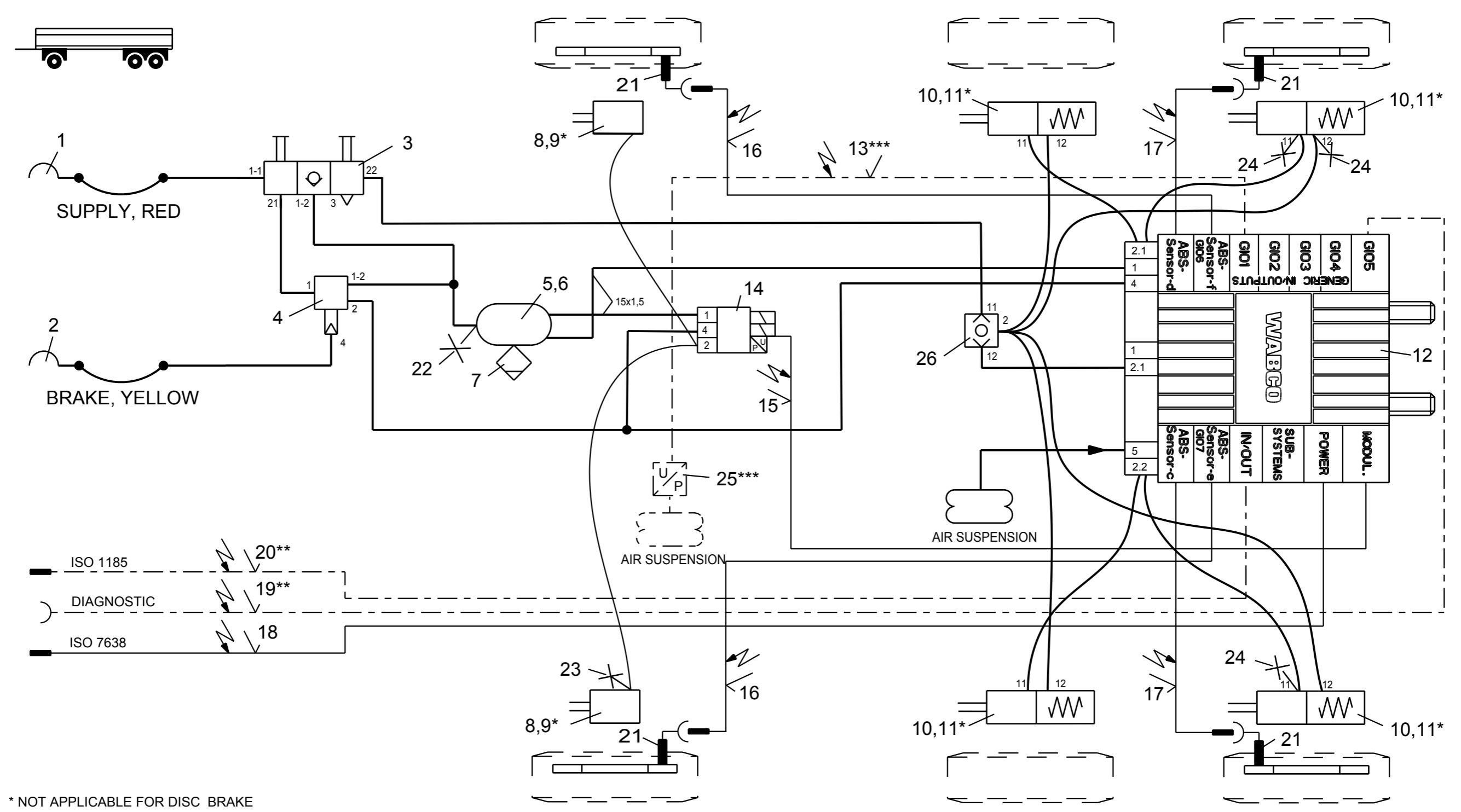


Non e permesso consegnare a terzi o riprodurre questo documento, ne utilizzare il contenuto o renderlo comunque noto a terzi senza autorizzazione esplicita. Ogni infrazione costituirà un evidente abuso e comporterà il risarcimento dei danni subiti. E' fatta riserva di tutti i diritti derivanti da brevetti o modelli.

Copying of this document and giving it to others and the use or communication of the contents thereof, are forbidden without express authority. Contravention of this restriction will constitute an evident abuse and result in a liability to the payment of damages. All rights are reserved in the event of the grant of patent or registration of a utility model or design. This document is the subject of copyright.

Toute communication ou reproduction de ce document, toute exploitation ou communication de son contenu sont interdites, sauf autorisation expresse. Tout manquement a cette règle constitue un abus évident et expose son auteur au versement de dommages et intérêts. Tous droits de propriété industrielle réservés, notamment en matière de brevets et de modèles.

Weitergabe sowie Vervielfältigung dieser Unterlage, Verwertung und Mitteilung ihres Inhalts nicht gestattet, soweit nicht ausdrücklich zugestanden. Zuwiderhandlungen stellen einen offensichtlichen Missbrauch dar und verpflichten zu Schadenersatz. Alle Rechte rüden Fall der Patentierung oder Gebrauchsmuster-Eintragung vorbehalten.



* NOT APPLICABLE FOR DISC BRAKE
 ** OPTIONALLY
 *** TO PROVIDE FOR RSS

13	1	CABLE TO PRESSURE SENSOR	***	449 812 ... 0	26	1	2-WAY VALVE		434 208 0.. 0
12	1	TRAILER-MODULATOR		480 102 ... 0	25	1	PRESSURE SENSOR	***	441 040 013 0
11	4	KIT	*	423 903 532 2	24	3	TEST CONNECTION		463 703 036 0
10	4	TRISTOP BRAKE ACTUATOR		925 0	23	1	TEST CONNECTION		463 703 120 0
9	2	KIT	*	423 2	22	1	TEST CONNECTION		463 703 115 0
8	2	BRAKE CHAMBER		423 0	21	4	ABS-SENSOR		441 0
7	1	DRAIN VALVE		934 300 001 0	20	1	24N-CABLE	**	449 349 ... 0
6	2	HOSE CLAMP		451 999 ... 2	19	1	DIAGNOSTIC CABLE	**	449 611 ... 0
5	1	AIR RESERVOIR		950 0	18	1	SUPPLY (POWER) CABLE		449 273 ... 0
4	1	TRAILER BRAKE VALVE		971 002 301 0	17	2	EXTENSION CABLE FOR SENSOR		449 723 ... 0
3	1	DOUBLE RELEASE VALVE		963 001 05. 0	16	2	EXTENSION CABLE FOR SENSOR		449 723 ... 0
2	1	COUPLING HEAD W.INT. LINE FILTER		952 201 ... 0	15	1	CABLE TO EBS-RV		449 429 ... 0
1	1	COUPLING HEAD W.INT. LINE FILTER		952 201 ... 0	14	1	EBS-RELAY VALVE		480 207 0.. 0
Pos.	Pcs.	Denomination		Product Identification No.	Pos.	Pcs.	Denomination		Product Identification No.

Copyright WABCO®		WABCO	
Date	Signature	TRAILER - EBS E	
2012-11-13	BURMESTER	FOR 3-AXLES-TRAILER	
Checked		4S/3M	
2012-11-13	CHRONIS	OPTIONALLY RSS	
Expert			
BURMESTER			
Mass	Scale	Material No.	Date of first issue:2012-11-13
KG		841 601 239 0	Doc.Code
Size	CAD System		Language
A 3	Pro/E	ECN-No.	Revision
		-	-
		Techn. Resp.	4990
		Replacement for	
			1/1