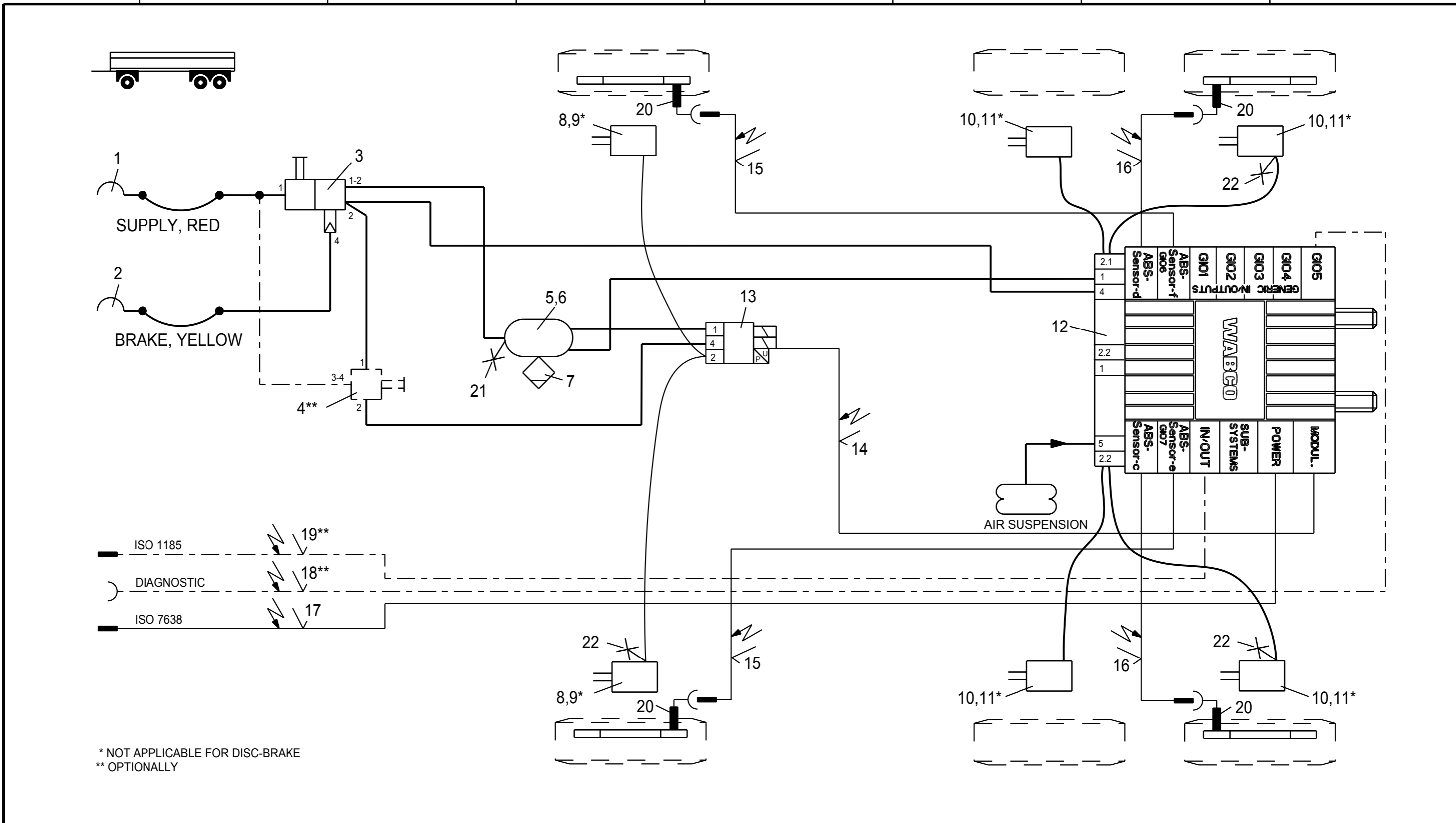


Non e permesso consegnare a terzi o riprodurre questo documento, ne utilizzare il contenuto o renderlo comunque noto a terzi senza autorizzazione esplicita. Ogni infrazione costituirà un evidente abuso e comporterà il risarcimento dei danni subiti. E' fatta riserva di tutti i diritti derivanti da brevetti o modelli.

Copying of this document and giving it to others and the use or communication of the contents thereof, are forbidden without express authority. Contravention of this restriction will constitute an evident abuse and result in a liability to the payment of damages. All rights are reserved in the event of the grant of patent or registration of a utility model or design. This document is the subject of copyright.

Toute communication ou reproduction de ce document, toute exploitation ou communication de son contenu sont interdites, sauf autorisation expresse. Tout manquement a cette regle constitue un abus evident et expose son auteur au versement de dommages et interets. Tous droits de propriete industrielle reserves, notamment en matiere de brevets et de modeles.

Weitergabe sowie Vervielfältigung dieser Unterlage, Verwertung und Mitteilung ihres Inhalts nicht gestattet, soweit nicht ausdrücklich zugestanden. Zuwiderhandlungen stellen einen offensichtlichen Missbrauch dar und verpflichten zu Schadenersatz. Alle Rechte rüden Fall der Patentierung oder Gebrauchsmuster-Eintragung vorbehalten.



* NOT APPLICABLE FOR DISC-BRAKE
 ** OPTIONALLY

12	1	TRAILER-MODULATOR	480 102 ... 0	24					
11	4	KIT	423 2	23					
10	4	BRAKE CHAMBER	423 0	22	3	TEST CONNECTION		463 703 120 0	
9	2	KIT	423 2	21	1	TEST CONNECTION		463 703 115 0	
8	2	BRAKE CHAMBER	423 0	20	4	ABS-SENSOR		441 0	
7	1	DRAIN VALVE	934 300 001 0	19	1	24N-CABLE	**	449 349 ... 0	
6	2	HOSE CLAMP	451 999 ... 2	18	1	DIAGNOSTIC CABLE	**	449 611 ... 0	
5	1	AIR RESERVOIR	950 0	17	1	SUPPLY (POWER) CABLE		449 273 ... 0	
4	1	TRAILER RELEASE VALVE	463 034 005 0	16	2	EXTENSION CABLE FOR SENSOR		449 723 ... 0	
3	1	TRAILER BRAKE VALVE W. RELEASE VALVE	971 002 7.. 0	15	2	EXTENSION CABLE FOR SENSOR		449 723 ... 0	
2	1	COUPLING HEAD W.INT. LINE FILTER	952 201 ... 0	14	1	CABLE TO EBS-RV		449 429 ... 0	
1	1	COUPLING HEAD W INT. LINE FILTER	952 201 ... 0	13	1	EBS-RELAY VALVE		480 207 0.. 0	
Pos.	Pcs.	Denomination	Product Identification No.	Pos.	Pcs.	Denomination		Product Identification No.	

Copyright WABCO®		WABCO			
Date	Signature	TRAILER - EBS E			
2013-09-03	BURMESTER	FOR 3-AXLES-TRAILER			
Checked		4S/3M			
2013-09-03	CHRONIS				
Expert					
BURMESTER					
Mass	Scale	Material No.	Date of first issue:2013-09-03		
KG		841 601 364 0	Doc.Code	Language	Sheet
Size	CAD System		002	EN	1/1
A 3	Pro/E	ECN-No.	Revision	Techn. Resp.	Replacement for
		-	-	4990	