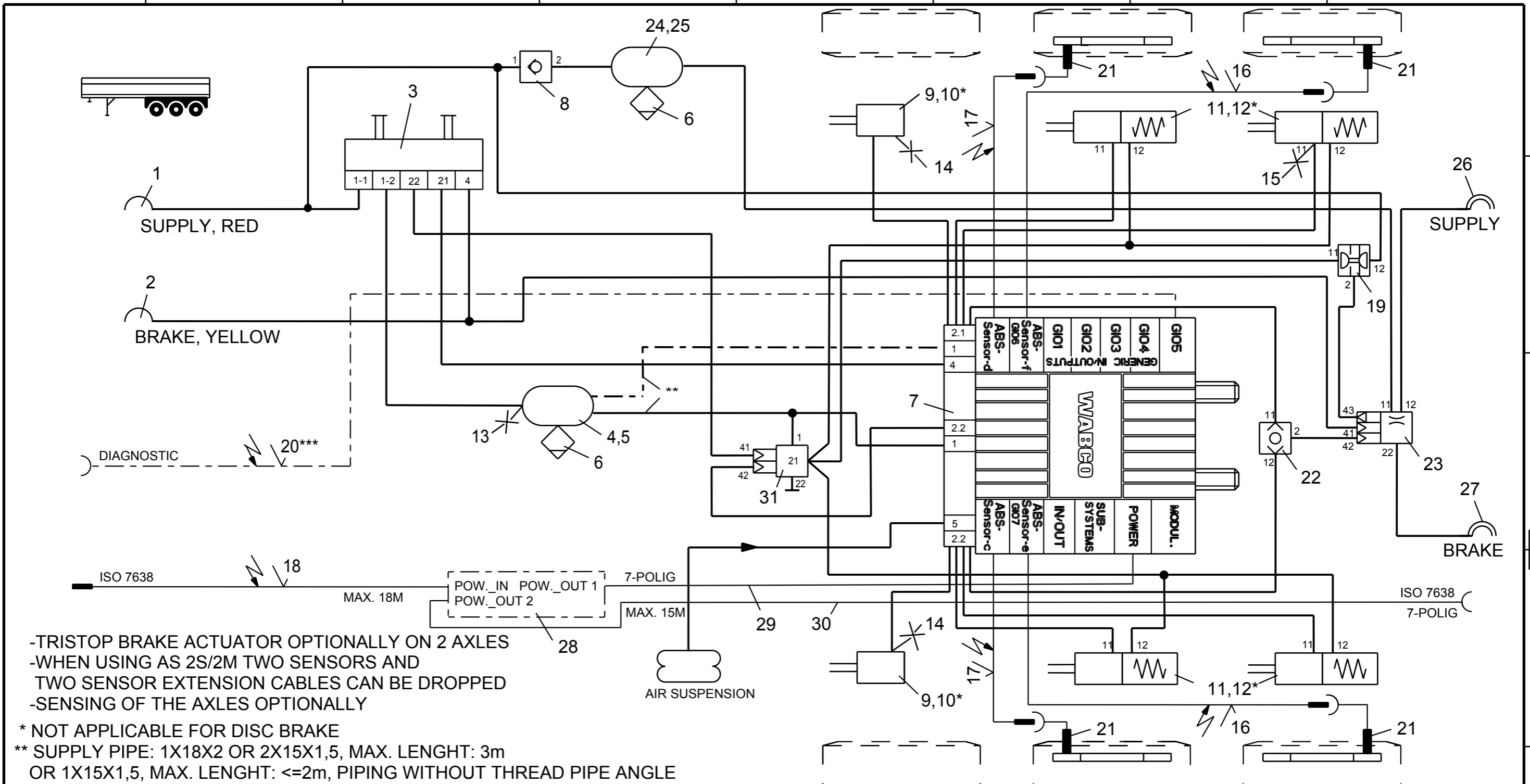


Non e permesso consegnare a terzi o riprodurre questo documento, ne utilizzarne il contenuto o renderlo comunque noto a terzi senza autorizzazione esplicita. Ogni infrazione costituirà un evidente abuso e comporterà il risarcimento dei danni subiti. Effetta riserva di tutti i diritti derivanti da brevetti o modelli.

Copying of this document and giving it to others and the use or communication of the contents thereof, are forbidden without express authority. Contravention of this restriction will constitute an evident abuse and result in a liability to the payment of damages. All rights are reserved in the event of the grant of patent or registration of a utility model or design. This document is the subject of copyright.

Toute communication ou reproduction de ce document, toute exploitation ou communication de son contenu sont interdites, sauf autorisation expresse. Tout manquement a cette règle constitue un abus évident et expose son auteur au versement de dommages et intérêts. Tous droits de propriété industrielle réservés, notamment en matière de brevets et de modèles.

Weitergabe sowie Vervielfältigung dieser Unterlage, Verwertung und Mitteilung ihres Inhalts nicht gestattet, soweit nicht ausdrücklich zugestanden. Zuwiderhandlungen stellen einen offensichtlichen Missbrauch dar und verpflichten zu Schadenersatz. Alle Rechte rüden Fall der Patentierung oder Gebrauchsmuster-Eintragung vorbehalten.



-TRISTOP BRAKE ACTUATOR OPTIONALLY ON 2 AXLES  
 -WHEN USING AS 2S/2M TWO SENSORS AND TWO SENSOR EXTENSION CABLES CAN BE DROPPED  
 -SENSING OF THE AXLES OPTIONALLY

\* NOT APPLICABLE FOR DISC BRAKE  
 \*\* SUPPLY PIPE: 1X18X2 OR 2X15X1,5, MAX. LENGHT: 3m  
 OR 1X15X1,5, MAX. LENGHT: <=2m, PIPING WITHOUT THREAD PIPE ANGLE  
 \*\*\* OPTIONALLY

15	1	TEST CONNECTION	463 703 036 0	31	1	OVERLOAD PROTECTION-RV	973 011 201 0
14	2	TEST CONNECTION	463 703 120 0	30	1	SUPPLY (POWER) CABLE	449 135 ... 0
13	1	TEST CONNECTION	463 703 115 0	29	1	SUPPLY (POWER) CABLE	449 347 ... 0
12	4	KIT	* 423 903 532 2	28	1	CAN-ROUTER	446 122 050 0
11	4	TRISTOP BRAKE ACTUATOR	925 ... .. 0	27	1	COUPLING HEAD AUTOM. BRAKE	952 200 222 0
10	2	KIT	423 000 ... 2	26	1	COUPLING HEAD AUTOM. SUPPLY	952 200 221 0
9	2	BRAKE CHAMBER	423 10. ... 0	25	2	HOSE CLAMP	451 999 ... 2
8	1	CHECK VALVE	434 014 000 0	24	1	AIR RESERVOIR	950 ... .. 0
7	1	TRAILER-MODULATOR W.EXTENSION MODUL	480 102 ... 0	23	1	TRAILER CONTROL VALVE	973 ... .. 0
6	2	DRAIN VALVE	934 300 001 0	22	2	SELECT HIGH VALVE	434 208 ... 0
5	2	HOSE CLAMP	451 999 ... 2	21	4	ABS-SENSOR	441 032 8.. 0
4	1	AIR RESERVOIR	950 ... .. 0	20	1	DIAGNOSTIC CABLE	*** 449 611 ... 0
3	1	PARK-RELEASE-EMERG.-VALVE (PREV)	971 002 9.. 0	19	1	DOUBLE CUT-OFF VALVE	434 500 003 0
2	1	COUPLING HEAD W. INT.LINE FILTER	952 201 ... 0	18	1	SUPPLY (POWER) CABLE	449 133 ... 0
1	1	COUPLING HEAD W. INT.LINE FILTER	952 201 ... 0	17	2	EXTENSION CABLE FOR SENSOR	449 723 ... 0
Pos.	Pcs.	Denomination	Product Identification No.	Pos.	Pcs.	Denomination	Product Identification No.

Copyright WABCO®		<b>WABCO</b>			
Date	Signature	TRAILER - EBS E			
2010-03-09	BURMESTER	WITH CAN-ROUTER			
Checked		4S/2M OR 2S/2M			
2010-03-09	CHRONIS				
Expert					
BURMESTER					
Mass	Scale	Material No.	Date of first issue:2010-03-09		
-	-	841 701 229 0	Doc.Code	Language	Sheet
KG	-		002	EN	1/1
Size	CAD System	ECN-No.	Revision	Techn. Resp.	Replacement for
A 3	Pro/E	124266	A	4990	