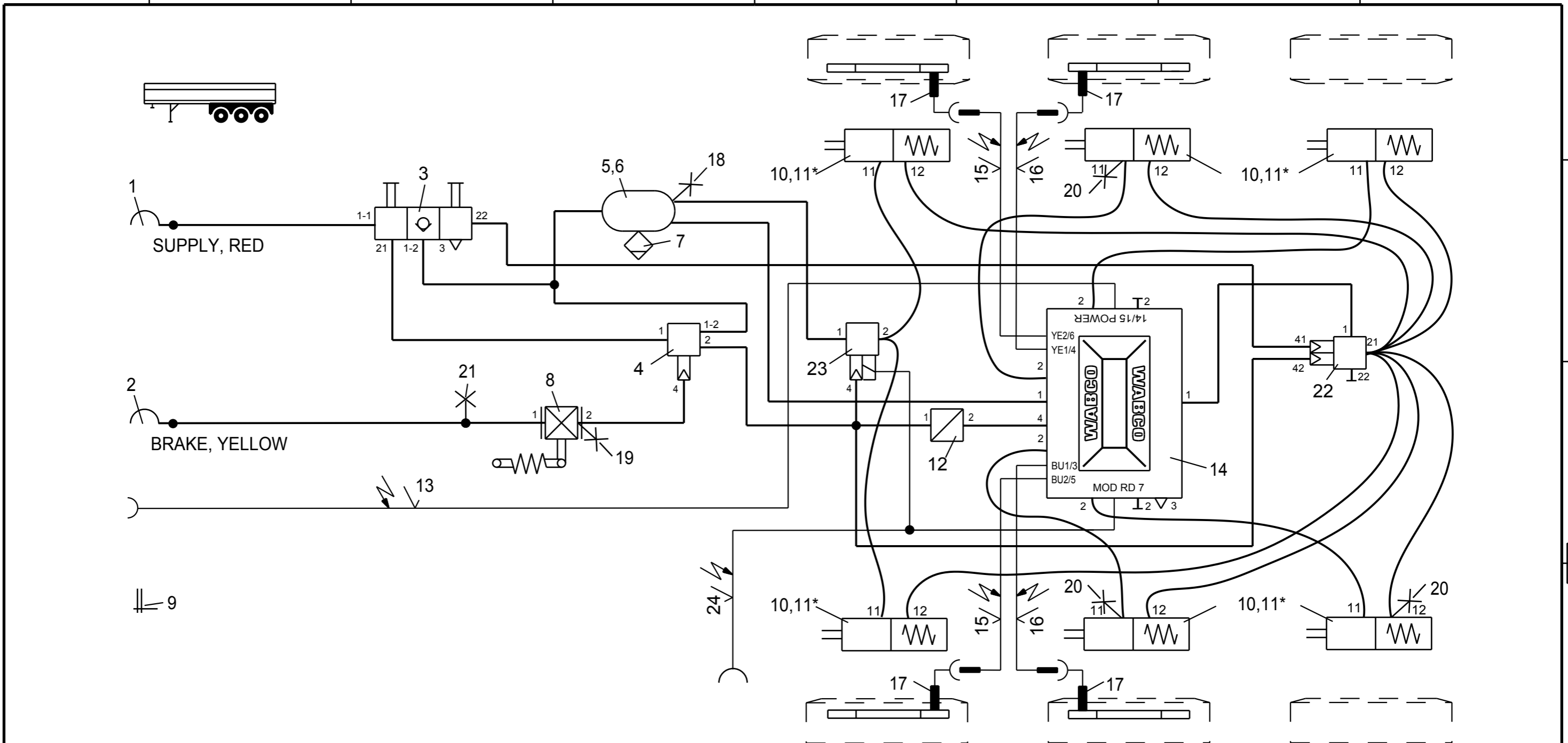


Non e permesso consegnare a terzi o riprodurre questo documento, ne utilizzare il contenuto o renderlo comunque noto a terzi senza autorizzazione esplicita. Ogni infrazione costituirà un evidente abuso e comporterà il risarcimento dei danni subiti. E' fatta riserva di tutti i diritti derivanti da brevetti o modelli.

Copying of this document and giving it to others and the use or communication of the contents thereof, are forbidden without express authority. Contravention of this restriction will constitute an evident abuse and result in a liability to the payment of damages. All rights are reserved in the event of the grant of patent or registration of a utility model or design. This document is the subject of copyright.

Toute communication ou reproduction de ce document, toute exploitation ou communication de son contenu sont interdites, sauf autorisation expresse. Tout manquement a cette règle constitue un abus évident et expose son auteur au versement de dommages et intérêts. Tous droits de propriété industrielle réservés, notamment en matière de brevets et de modèles.

Weitergabe sowie Vervielfältigung dieser Unterlage, Verwertung und Mitteilung ihres Inhalts nicht gestattet, soweit nicht ausdrücklich zugestanden. Zuwiderhandlungen stellen einen offensichtlichen Missbrauch dar und verpflichten zu Schadenersatz. Alle Rechte rüden Fall der Patentierung oder Gebrauchsmuster-Eintragung vorbehalten.



AIM IS:

IDENTIC DEAD VOLUMINA OF ALL BRAKE ACTUATORS PLUS CORRESPONDING BRAKE HOSES BASED ON AN ABS-RELAY VALVE

* NOT APPLICABLE FOR DISC-BRAKE

WIRING DIAGRAM: SEE 841 801 932 0 OR/AND 841 801 933 0

INDEX	DATE	DESCRIPTION OF CHANGE
A	2014-05-12	POS. NR 4: CONNECTION 2-1 CHANGED IN 1-2

Pos.	Pcs.	Denomination	Product Identification No.	Pos.	Pcs.	Denomination	Product Identification No.
12	1	PRESSURE RATIO VALVE	975 001 00. 0	24	1	Y-SOLENOID CABLE	449 616 ... 0
11	6	KIT	* 423 903 532 2	23	1	ABS-RELAY VALVE	24V 472 195 031 0
10	6	TRISTOP BRAKE ACTUATOR	925 0	22	1	OVERLOAD-PROTECTION VALVE	973 011 201 0
9	1	TAG "SETTING VALUE OF LSV" MECH.	899 144 630 4	21	1	TEST CONNECTION	463 703 ... 0
8	1	LOAD-SENS.V.W.INTEGR. FLEX.ARM	475 713 50. 0	20	3	TEST CONNECTION	463 703 036 0
7	1	DRAIN VALVE	934 300 001 0	19	1	TEST CONNECTION	463 703 120 0
6	2	HOSE CLAMP	451 999 ... 2	18	1	TEST CONNECTION	463 703 ... 0
5	1	AIR RESERVOIR	950 0	17	4	ABS-SENSOR	441 032 ... 0
4	1	TRAILER BRAKE VALVE	971 002 ... 0	16	2	EXTENSION CABLE FOR SENSOR	449 712 ... 0
3	1	DOUBLE RELEASE VALVE	963 001 05. 0	15	2	EXTENSION CABLE FOR SENSOR	449 712 ... 0
2	1	COUPLING HEAD W.INT.LINE FILTER	952 201 001 0	14	1	VCS2-TRAILER-MODULATOR	24V 400 500 08. 0
1	1	COUPLING HEAD W.INT.LINE FILTER	952 201 002 0	13	1	ABS-SUPPLY CABLE	24V 449 0

Copyright WABCO®

Date: _____ Signature: _____

Drawn: 2014-03-19 BURMESTER

Checked: 2014-03-19 CHRONIS

Expert: BURMESTER

Mass: _____ Scale: _____ Material No.:

841 701 282 0

Date of first issue: 2014-03-19

Doc.Code: 002 Language: EN Sheet: 1/1

ECN-No.: - Revision: A Techn. Resp.: 4990 Replacement for: