

Non e permesso consegnare a terzi o riprodurre questo documento, ne utilizzarne il contenuto o renderlo comunemente noto a terzi senza autorizzazione esplicita. Ogni infrazione costituirà un evidente abuso e comporterà il risarcimento dei danni subiti. E' fatta riserva di tutti i diritti derivanti da brevetti o modelli.

Copying of this document and giving it to others and the use or communication of the contents thereof, are forbidden without express authority. Contravention of this restriction will constitute an evident abuse and result in a liability to the payment of damages. All rights are reserved in the event of the grant of patent or registration of a utility model or design. This document is the subject of copyright.

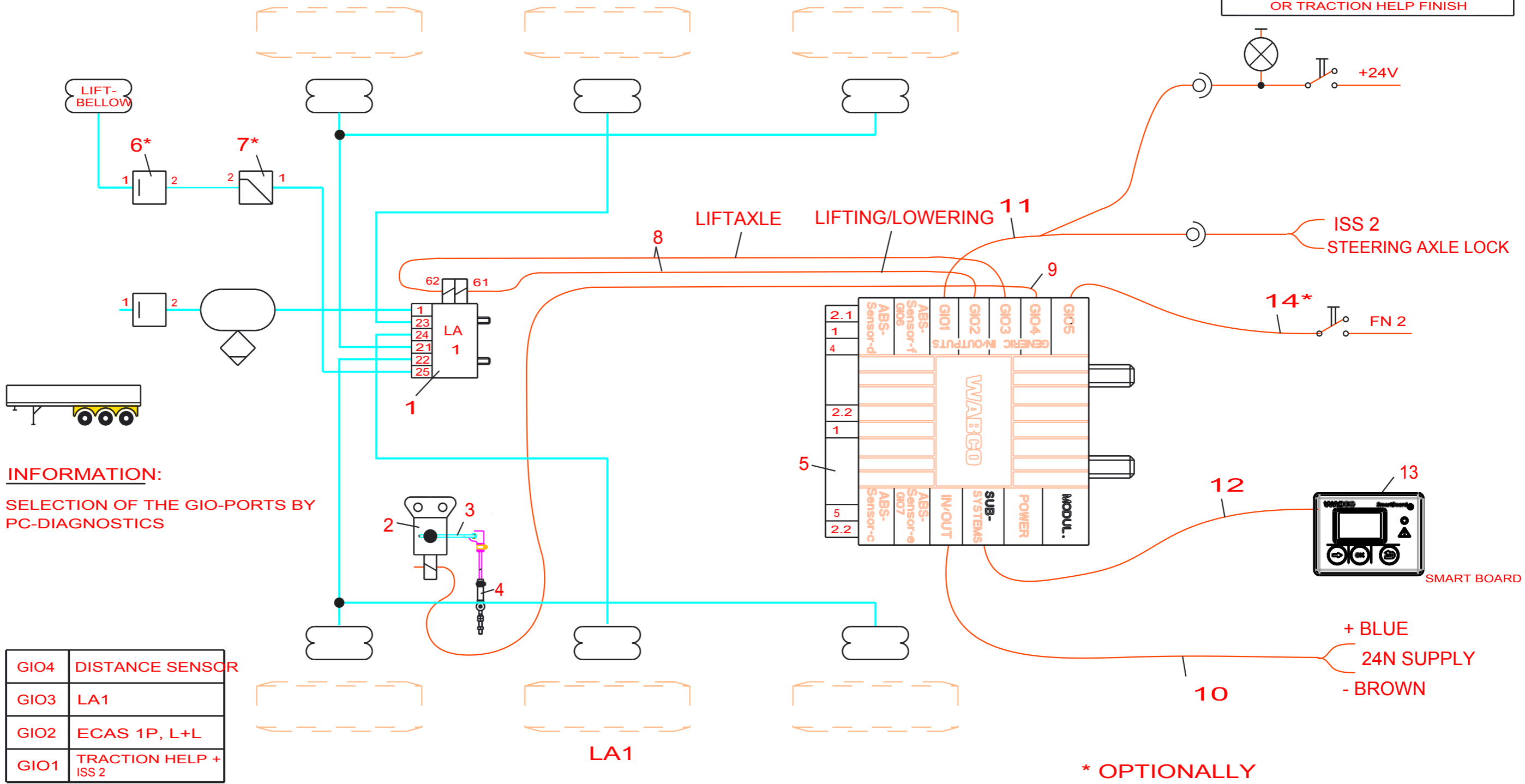
Toute communication ou reproduction de ce document, toute exploitation ou communication de son contenu sont interdites, sauf autorisation expresse. Tout manquement a cette règle constitue un abus évident et expose son auteur au versement de dommages et intérêts. Tous droits de propriété industrielle réservés, notamment en matière de brevets et de modèles.

Weitergabe sowie Vervielfältigung dieser Unterlage, Verwertung und Mitteilung ihres Inhalts nicht gestattet, soweit nicht ausdrücklich zugestanden. Zuwiderhandlungen stellen einen offensichtlichen Missbrauch dar und verpflichten zu Schadenersatz. Alle Rechte rüden im Fall der Patentierung oder Gebrauchsmuster-Eintragung vorbehalten.

**ONE-CIRCUIT AIR SUSPENSION SYSTEMS AND TRACTION HELP MUST BE AGREED THE AXLE MANUFACTURER**

**§ 97 / 27 / EG-DIRECTIVE MUST BE OBSERVED**

**TIP SWITCH TRACTION HELP IN TRUCK**  
**TIP SWITCH ACTUATION UP TO 5 sec =**  
**START TRACTION HELP**  
**> 5 sec = FORCED LOWERING**  
**OR TRACTION HELP FINISH**



**INFORMATION:**  
**SELECTION OF THE GIO-PORTS BY**  
**PC-DIAGNOSTICS**

GIO4	DISTANCE SENSOR
GIO3	LA1
GIO2	ECAS 1P, L+L
GIO1	TRACTION HELP + ISS 2

**\* OPTIONALLY**

12	1	CABLE-CONTROL BOX	449 627 060 0				
11	1	CABLE-TRACTION HELP A. ISS 2	449 815 253 0				
10	1	CABLE-ISO 1185 (24N)	449 349 ... 0				
9	1	CABLE-DISTANCE SENSOR	449 811 ... 0				
8	2	CABLE-LIFT AXLE	449 445 ... 0				
7	1	PRESSURE LIMITING VALVE *	475 ... .. 0				
6	1	CHARGING VALVE *	434 ... .. 0				
5	1	T-EBS E-MODULATOR PREMIUM	480 102 ... 0				
4	1	PUSH ROD WITH LINKAGE	433 401 003 0				
3	1	DISTANCE SENSOR LEVER	441 050 718 2				
2	1	DISTANCE SENSOR	441 050 100 0	14	1	CABLE-GIO OPEN ENDS *	449 535 060 0
1	1	ECAS-VALVE L+L, LA	472 905 114 0	13	1	SMART BOARD	446 192 1XX 0
Pos.	Pcs.	Denomination	Product Identification No.	Pos.	Pcs.	Denomination	Product Identification No.

Copyright WABCO®		<b>WABCO</b>	TRAILER - EBS E			
Date	Signature		FOR SEMITRAILER AIR SUSPENSION			
2018-03-01	WOLTER		4S/3M LIFTAXLE+STEERING AXLE			
2018-03-01	WOLF					
WOLTER		Material No.	Date of first issue: 2008-10-13			
Mass	Scale		841 802 069 0	Doc.Code	Language	Sheet
-	-			002	EN	1/1
Size	CAD System	ECN-No.	Revision	Techn. Resp.	Replacement for	
A 3	Pro/E			4990		