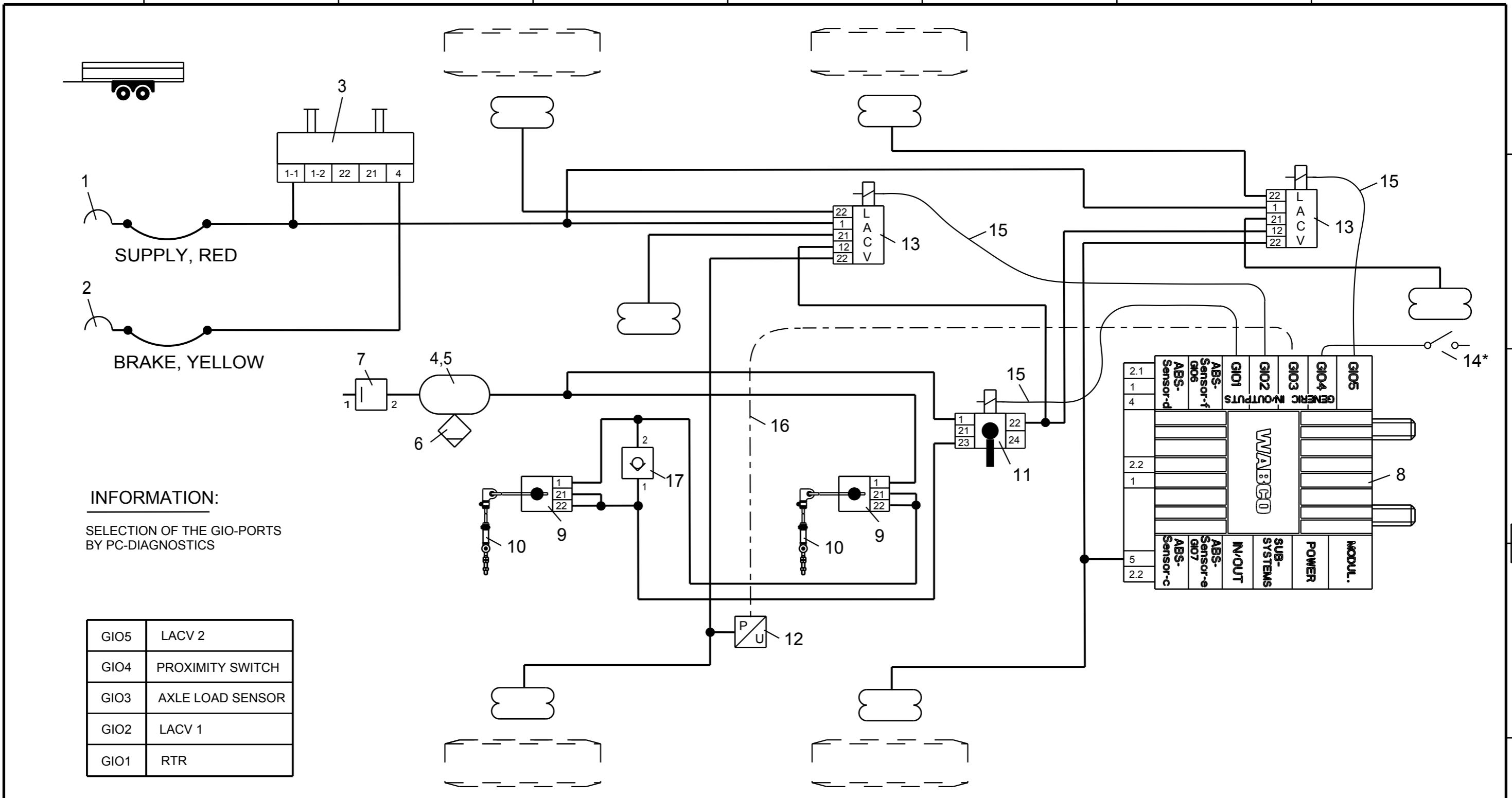


Non e permesso consegnare a terzi o riprodurre questo documento, ne utilizzarne il contenuto o renderlo comunque noto a terzi senza autorizzazione esplicita. Ogni infrazione costituira un evidente abuso e comportera il risarcimento dei danni subiti. E' fatta riserva di tutti i diritti derivanti da brevetti o modelli.

Copying of this document and giving it to others and the use or communication of the contents thereof, are forbidden without express authority. Contravention of this restriction will constitute an evident abuse and result in a liability to the payment of damages. All rights are reserved in the event of the grant of patent or registration of a utility model or design. This document is the subject of copyright.

Toute communication ou reproduction de ce document, toute exploitation ou communication de son contenu sont interdites, sauf autorisation expresse. Tout manquement a cette regle constitue un abus evident et expose son auteur au versement de dommages et interets. Tous droits de propriete industrielle reserves, notamment en matiere de brevets et de modeles.

Weitergabe sowie Vervielfaeltigung dieser Unterlage, Verwertung und Mitteilung ihres Inhalts nicht gestattet, soweit nicht ausdruecklich zugestanden. Zuwiderhandlungen stellen einen offensichtlichlichen Missbrauch dar und verpflichten zu Schadenersatz. Alle Rechte fuer den Fall der Patentierung oder Gebrauchsmuster-Eintragung vorbehalten.



INFORMATION:
SELECTION OF THE GIO-PORTS BY PC-DIAGNOSTICS

GIO5	LACV 2
GIO4	PROXIMITY SWITCH
GIO3	AXLE LOAD SENSOR
GIO2	LACV 1
GIO1	RTR

* POSSIBLE SWITCH TYPES: SEE TEBS E SYSTEM DISCRPTION CHAPTER 6 "PROXIMITY SWITCH"

12	1	PRESSURE SENSOR	441 044 102 0				
11	1	ROTARY-SLIDE V. W. RTR-FUNCT. (TASC)	463 090 020 0				
10	2	PUSH ROD WITH LINKAGE	433 401 003 0				
9	2	LEVELLING VALVE	464 006 010 0				
8	1	TRAILER MODULATOR	480 102 ... 0				
7	1	CHARGING VALVE	434 100 ... 0				
6	1	DRAIN VALVE	934 300 001 0				
5	2	HOSE CLAMP	451 999 ... 2	17	1	CHECK VALVE	434 014 000 0
4	1	AIR RESERVOIR	950 0	16	1	CABLE PRESSURE SENSOR	449 535 ... 0
3	1	PARK-RELEASE-EMERG. VALVE (PREV)	971 002 9.. 0	15	3	CABLE LIFT AXLE VALVE/RTR	449 443 ... 0
2	1	COUPLING HEAD W. INT. LINE FILTER	952 201 ... 0	14	1	PROXIMITY SWITCH	TEBS-SYSTEM DISCR.
1	1	COUPLING HEAD W. INT. LINE FILTER	952 201 ... 0	13	2	LIFT AXLE VALVE	463 084 042 0
Pos.	Pcs.	Denomination	Product Identification No.	Pos.	Pcs.	Denomination	Product Identification No.

Copyright WABCO		WABCO		TRAILER - EBS E	
Date	Signature				
Drawn		FOR 4S/2M 2-AXLES-CENTRAL AXLE TRAILER WITH 2 LIFT AXLES AIR SUSPENSION			
2013-11-27	BURMESTER				
Checked		Date of first issue: 2013-11-27			
2013-11-27	GONG				
Expert		Doc.Code			
BURMESTER					
Mass	Scale	Material No.		Language	
KG		841 802 239 0		Sheet	
Size	CAD System			002	EN
A 3	Pro/E	ECN-No.		Revision	
		-		-	
		Techn. Resp.		Replacement for	
		4990			