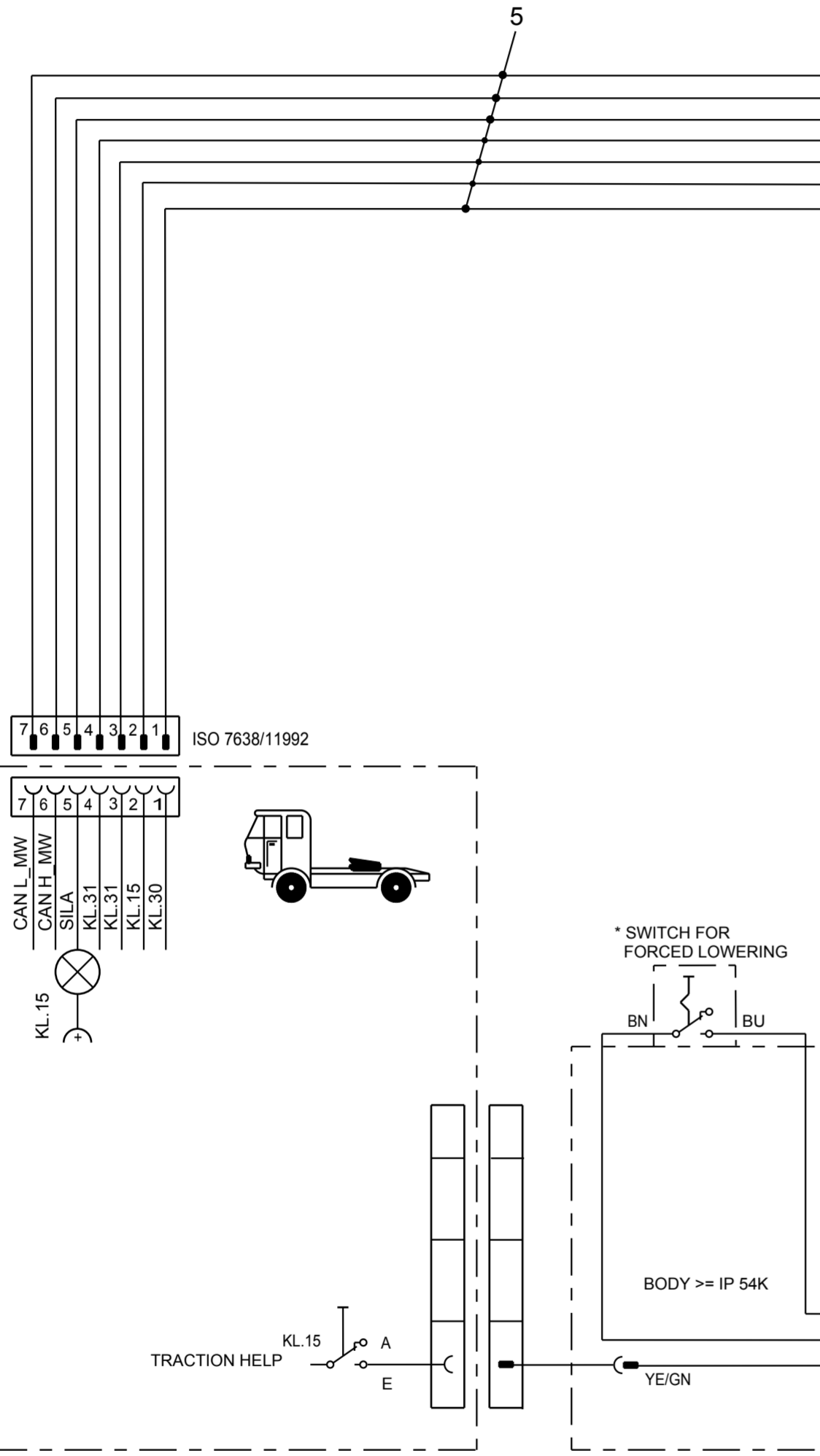
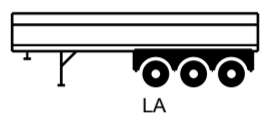
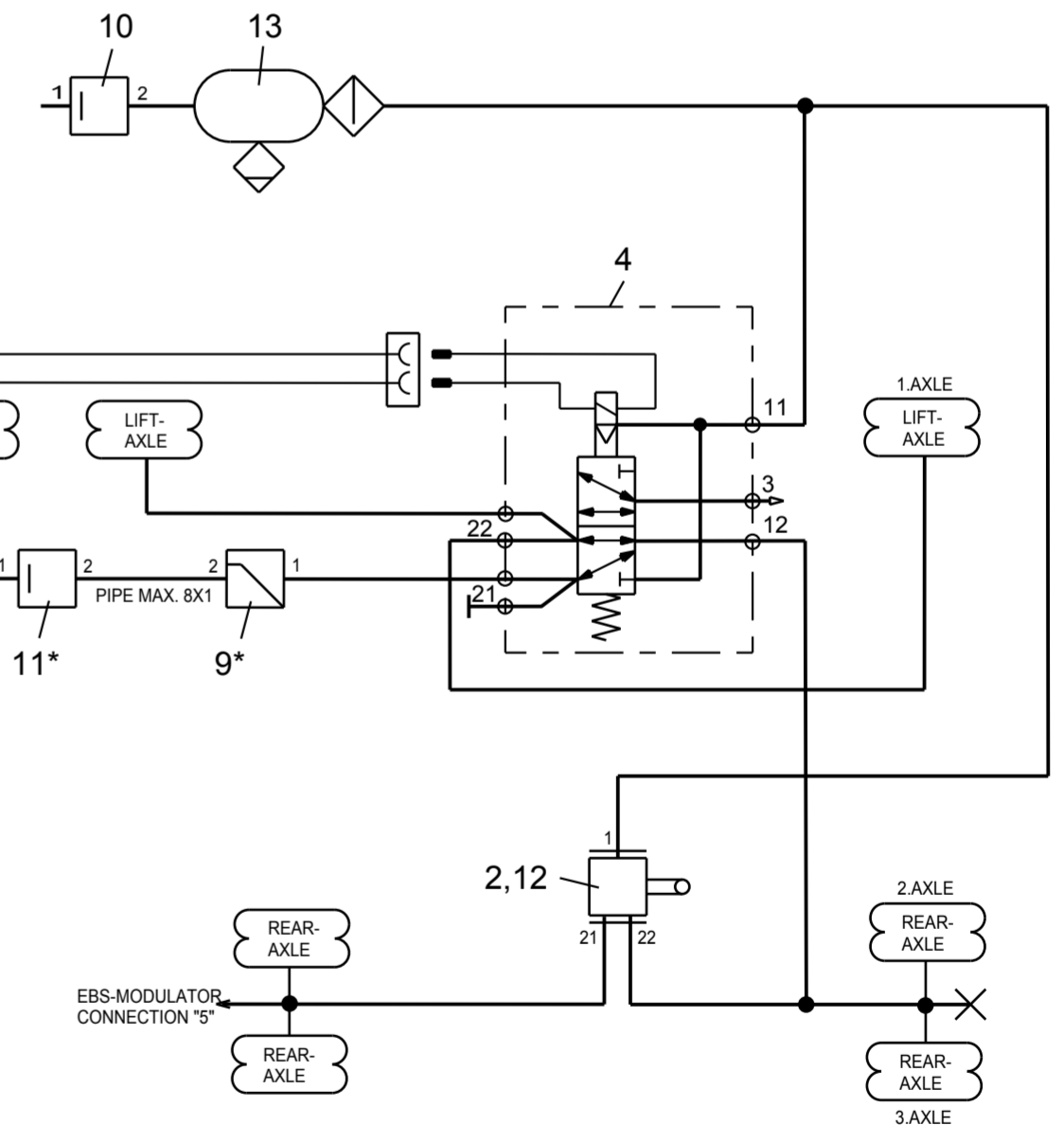
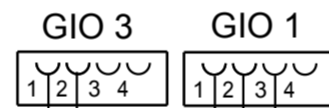
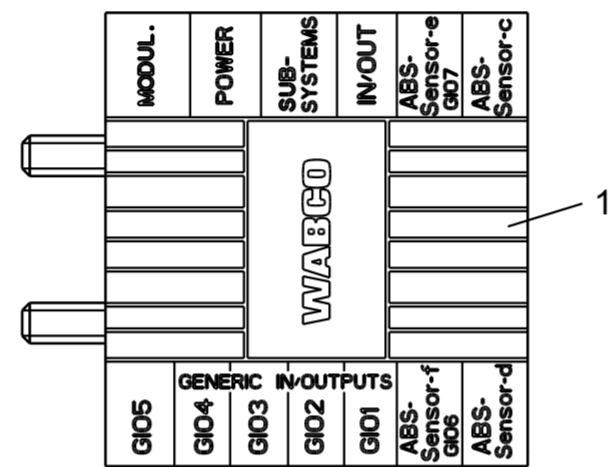
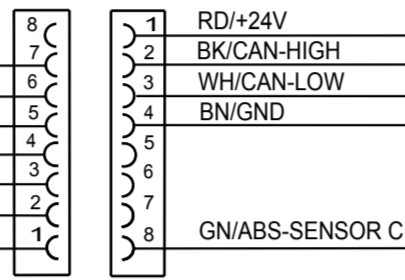


TEBS-E-GIO-PARAMETER
GIO-1: PIN 1,3 = FORCED LOWERING, TRACTION HELP
GIO-3: PIN 1 = LIFT-AXLE VALVE
SUBSYSTEMS = SMARTBOARD

POWER SUBSYSTEM



* SWITCH FOR FORCED LOWERING
BN BU

BODY >= IP 54K
YE/IGN

* OPTIONALLY

Table with columns for Pos, Pcs, Denomination, Product Identification No., Pos, Pcs, Denomination, Product Identification No., Pos, Pcs, Denomination, Product Identification No.

WABCO WIRING SCHEMATIC 3-AXLES-SEMITRAILER (24V/12V) KONV. AIR SUSPENSION WITH 1 LIFTAXLE FOR TEBS-E MULTIVOLTAGE. Includes ECN-No., Revision, Techn. Resp., and Replacement for HWR 01036.

Non e permesso consegnare a terzi o riprodurre questo documento... (Legal disclaimer text in Italian, German, and French)