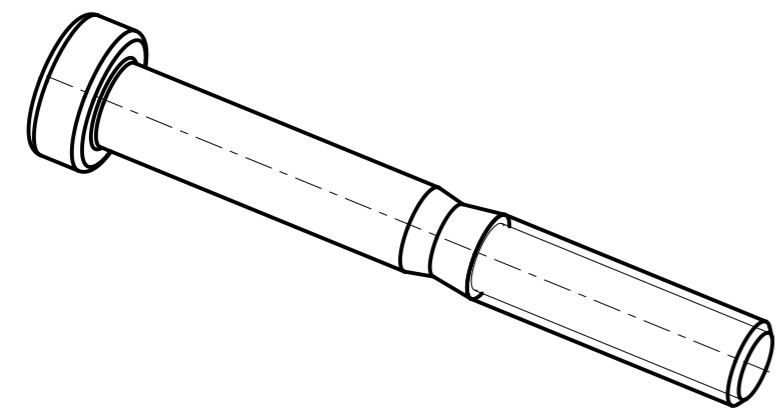


Non e permesso consegnare a terzi o riprodurre questo documento, ne utilizzare il contenuto o renderlo comunque noto a terzi senza autorizzazione esplicita. Ogni infrazione costituirà un evidente abuso e comporterà il risarcimento dei danni subiti. E' fatta riserva di tutti i diritti derivanti da brevetti o modelli.

Toute communication ou reproduction de ce document, toute exploitation ou communication de son contenu sont interdites, sauf autorisation expresse. Tout manquement a cette regle constitue un abus evident et expose son auteur au versement de dommages et interets. Tous droits de propriete industrielle reserves, notamment en matiere de brevets et de modesles.

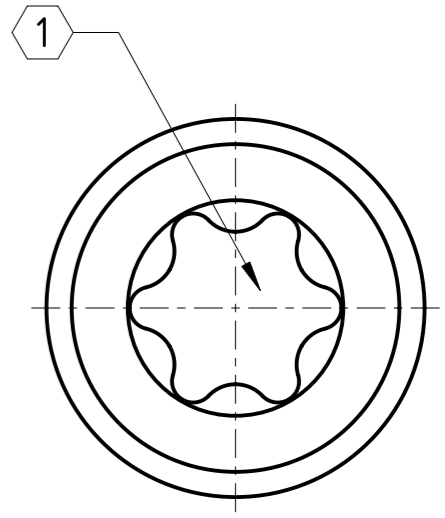
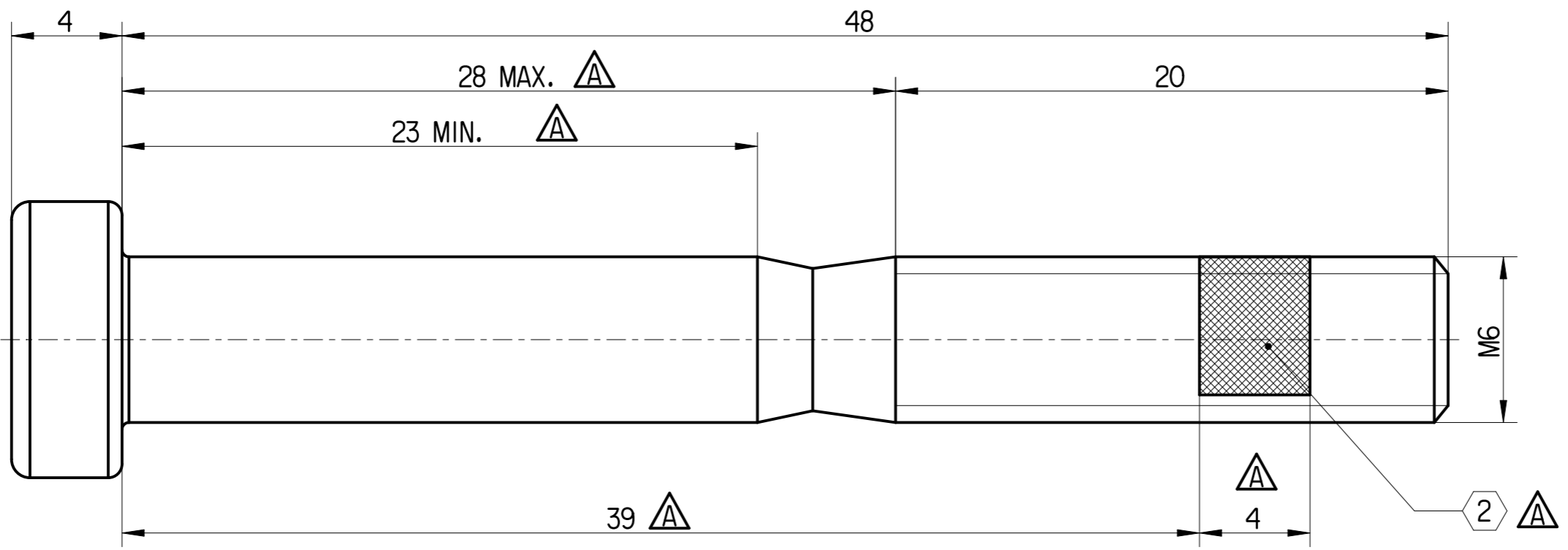
Copying of this document and giving it to others and the use or communication of the contents thereof, are forbidden without express authority. Contravention of this restriction will constitute an evident abuse and result in a liability to the payment of damages. All rights are reserved in the event of the grant of patent or registration of a utility model or design. This document is the subject of copyright.

Weitergabe sowie Vervielfaeligung dieser Unterlage, Verwertung und Mitteilung ihres Inhalts nicht gestattet, soweit nicht ausdruerklich zugestanden. Zuwiderhandlungen stellen einen offensichtlichen Missbrauch dar und verpflichten zu Schadenersatz. Alle Rechte fuer den Fall der Patenterteilung oder Gebrauchsmuster-Eintragung vorbehalten.



2:1

1	DRIVE SYSTEM:	ISO 10664-T30
	MATERIAL:	STEEL
	CLASS:	8.8
	SURFACE PROTECTION:	ZINC-NICKEL WITH PASSIVATION
2	TufLok	150° ± 30° COLOUR BLUE



General Specification: ISO 8015, JED-334-1, Size ISO 14405 LP		Copyright ZF®			
Further Technical Data:		Date	Signature		
Doc. Code:	Sheet: To	Drawn			
General Tolerances JED-261		2025-07-23	Wolny		
Range of nominal dimensions in mm		Checked		CHEESE HEAD SCREW M6x48	
Class 1)	≤ 50	> 50 ≤ 180	> 180 ≤ 400	> 400	±3°
Fine	±0.5	±1	±1.5	±2	±3°
Medium	X ±1	±2	±3	±4	
Coarse	±2	±3.5	±5	±6.5	
Tapped Holes acc.		Dimensions in mm		Material No.	
1) Tolerance Class Applied Crossmarked		Mass	Scale	Date of first issue: 2021-11-19	
		0.013 kg	5:1 (2:1)	Doc.Code Language Sheet	
		Size	CAD System	891 212 020 4	
		A 3	CREO	ECN-No.	Revision
				520183	7 x A
				Techn. Resp.	Replacement for
				6244	-