

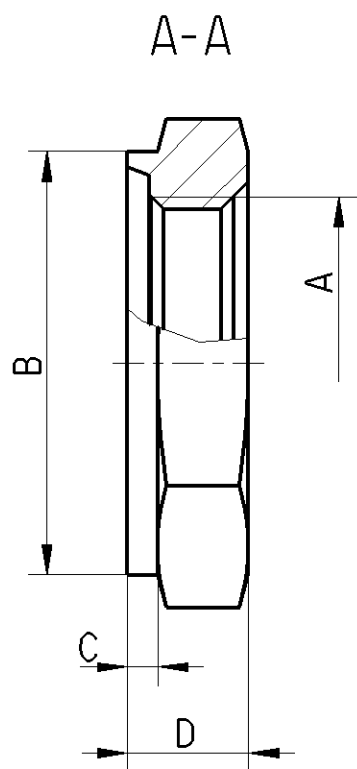
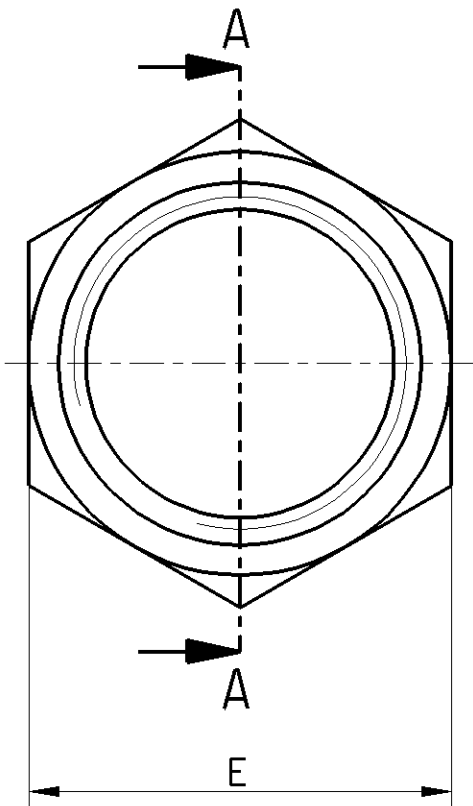
Non e permesso consegnare a terzi o riprodurre questo documento, ne utilizzare il contenuto o renderlo comunque noto a terzi senza autorizzazione esplicita. Ogni infrazione costituira un evidente abuso e comportera il risarcimento dei danni subiti. E' fatto riserva di tutti i diritti derivanti da brevetti o modelli.

Copying of this document and giving it to others and the use or communication of the contents thereof, are forbidden without express authority. Contrivention of this restriction will constitute an evident abuse and result in a liability to the payment of damages. All rights are reserved in the event of the grant of patent or registration of a utility model or design. This document is the subject of copyright.

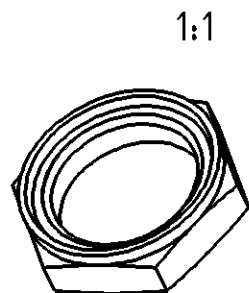
Toute communication ou reproduction de ce document, toute exploitation ou communication de son contenu sont interdites, sauf autorisation expresse. Tout manquement a cette regle constitue un abus evident et expose son auteur au versement de dommages et interets. Tous droits de propriete industrielle reserves, notamment en matiere de brevets et de modesles.

Weitergabe sowie Vervielfaeligung dieser Unterlage, Verwertung und Mitteilung ihres Inhalts nicht gestattet, soweit nicht ausdruecklich zugestanden. Zuwiderhandlungen stellen einen offensichtlichen Missbrauch dar und verpflichten zu Schadenersatz. Alle Rechte fuer den Fall der Patenterteilung oder Gebrauchsmuster-Eintragung vorbehalten.

| | | | | | | | |
|---------|-----|---|---|--------|---|---|---|
| 1 | 2 | 3 | 4 | 5 | 6 | 7 | 8 |
| A | B | C | D | E | | | |
| M22x1.5 | Ø28 | 2 | 8 | Hex.28 | | | |



INVALID REPLACED BY:
891 503 052 4 Code:005 of 2016-07-27



CLEANLINESS REQUIREMENT:

CLASS: K00 ACCORDING TO JED-593

AREA: FOR THE WHOLE PART (SPECIAL AGREEMENTS POSSIBLE, TO BE AGREED WITH PRODUCT ENGINEERING)

MATERIAL:

CuZn

SUITABLE FOR USE IN AIR BRAKE SYSTEMS FOR COMMERCIAL VEHICLES

GENERAL SPECIFICATION : JED-762; JED-622; JED-271

ENGINEERING RELATED AGREEMENTS WITH SUPPLIER HAVE TO BE MENTIONED IN THE "RELEASE OF SUPPLIER"

| | | | | | | | | | | | | | |
|---|----|-----------|------------|------------------|-----------|--------------|------------|---------------|--|---------------------------------|----------|-------|--|
| General Specification: JED-334-1, Size ISO 14405 LP | | | | Copyright WABCO® | | WABCO | | | | | | | |
| Further Technical Data: | | | | Date | Signature | | Nut | | | | | | |
| Doc. Code: | | Sheet: To | | Drawn | | | | | | | | | |
| General Tolerances JED-261 | | | | 2016-07-27 | | Szczytkowski | | | | | | | |
| Range of Nominal Dimensions (± mm) | | | | Checked | | 2016-07-27 | | | | Szczytkowski | | | |
| Class | 1) | ≤ 50 | > 50 ≤ 180 | > 180 ≤ 400 | > 400 | Expert | | | | | | | |
| Fine | X | 0.5 | 1.0 | 1.5 | 2.0 | Kaufmann | | | | | | | |
| Medium | | 1.0 | 2.0 | 3.0 | 4.0 | Mass | Scale | Material No. | | Date of first issue: 2014-10-15 | | | |
| Coarse | | 2.0 | 3.5 | 5.0 | 6.5 | 0.019 KG | 2:1 1:1 | 891 503 052 4 | | Doc.Code | Language | Sheet | |
| Tapped Holes acc. - | | | | Size | | CAD System | | | | 005 | EN | 1/1 | |
| 1) Tolerance Class Applied Crossmarked | | | | A 3 | | CREO | | | | Replacement for | | | |
| | | | | ECN-No. | | Revision | | Techn. Resp. | | | | | |
| | | | | 171382 | | - | | 5790 | | | | | |