

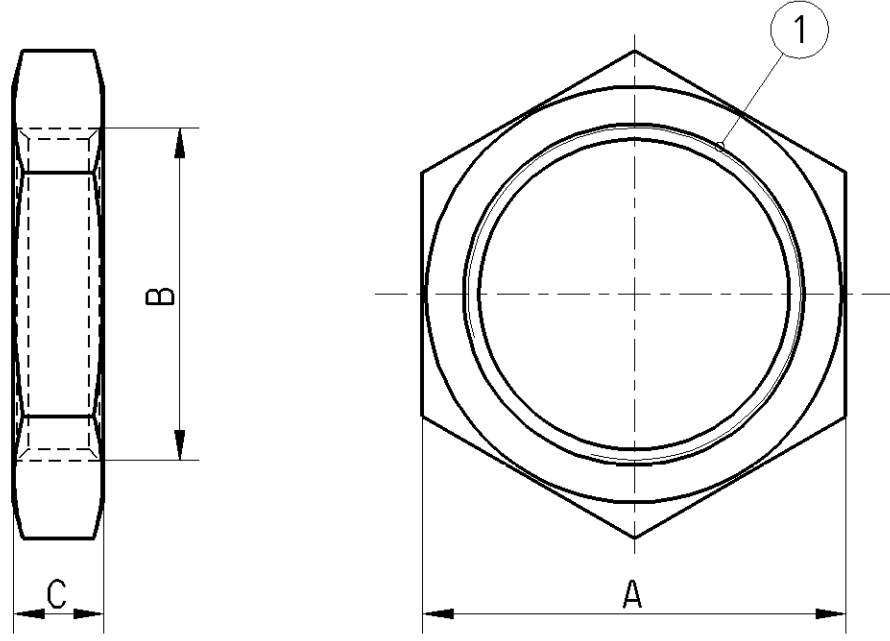
Non e permesso consegnare a terzi o riprodurre questo documento, ne utilizzare il contenuto o renderlo comunque noto a terzi senza autorizzazione esplicita. Ogni infrazione costituira un evidente abuso e comportera il risarcimento dei danni subiti. E' fatta riserva di tutti i diritti derivanti da brevetti o modelli.

Toute communication ou reproduction de ce document, toute exploitation ou communication de son contenu sont interdites, sauf autorisation expresse. Tout manquement a cette regle constitue un abus evident et expose son auteur au versement de dommages et interets. Tous droits de propriete industrielle reserves, notamment en matiere de brevets et de modesles.

Copying of this document and giving it to others and the use or communication of the contents thereof, are forbidden without express authority. Contravention of this restriction will constitute an evident abuse and result in a liability to the payment of damages. All rights are reserved in the event of the grant of patent or registration of a utility model or design. This document is the subject of copyright.

Weitergabe sowie Vervielfaeltigung dieser Unterlage, Verwertung und Mitteilung ihres Inhalts nicht gestattet, soweit nicht ausdruecklich zugestanden. Zuwiderhandlungen stellen einen offensichtlichlichen Misbrauch dar und verpflichten zu Schadensersatz. Alle Rechte fuer den Fall der Patenterteilung oder Gebrauchsmuster-Eintragung vorbehalten.

1	2	3	4	5	6	7	8
A	B	C					
Hex.28	M22x1.5 tightening torque: 34 Nm (40 Nm)	6					



Cleanliness requirement:

No particles >1mm allowed acc. to mandatory standard: JED-334 and JED-593

Area: for the whole part (Special agreements possible; to be agreed with Product Engineering)

Material:

① CuZn

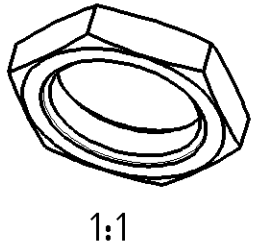
Suitable for use in air brake systems for commercial vehicles

General Specification : JED-762 ; JED-622 ; JED-271

Engineering related agreements with Supplier have to be mentioned in the "Release of Supplier"

For use in application in compressed air systems in commercial vehicles :

- with compressed air acc. JED-848
- at working conditions:
  - -40 °C ... 100 °C
  - max. 13 bar



General Specification: JED-334-O , Size ISO 14405-1 E		Copyright WABCO®		<b>WABCO</b>	
Further Technical Data: 893 000 001 O, doc code O35		Date	Signature		
Doc. Code: Sheet: To		Drawn		Locking Nut	
General Tolerances		2015-08-05	Szczutkowski		
Range of Nominal Dimensions ( ± mm)		Checked		Date of first issue: <b>2015-10-05</b>	
Class 1) ≤ 50 > 50 ≤ 180 > 180 ≤ 400 > 400		2015-10-05	Luechau		
Class 1) Fine X 0.5 1.0 1.5 2.0 ±3°		Expert		Material No.	
Medium 1.0 2.0 3.0 4.0		Kaufmann		891 503 076 4	
Coarse 2.0 3.5 5.0 6.5		Mass	Scale	Date of first issue: 2015-10-05	
Tapped Holes acc. -		0.017 KG	2:1 (1:1)	Doc.Code	Language
1) Tolerance Class Applied Crossmarked		Size	CAD System	005	EN
		A 3	Pro/E	Sheet	1/1
		ECN-No.		Revision	
		-		-	
		Techn. Resp.		Replacement for	
		5790		-	