

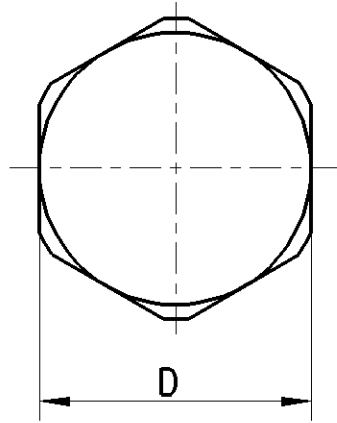
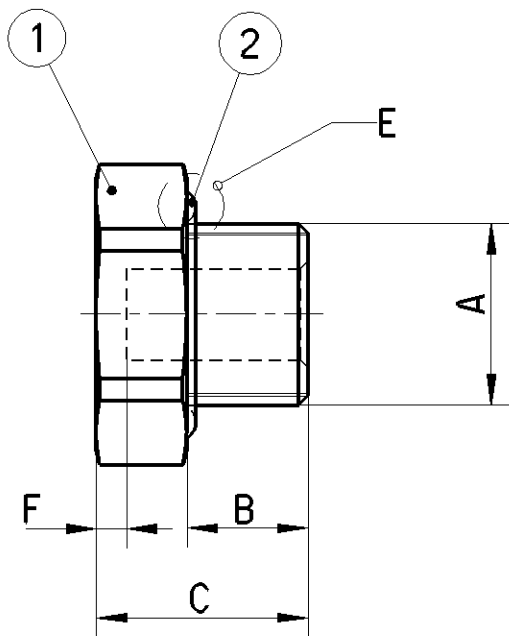
Non e permesso consegnare a terzi o riprodurre questo documento, ne utilizzare il contenuto o renderlo comunque noto a terzi senza autorizzazione esplicita. Ogni infrazione costituira un evidente abuso e comportera il risarcimento dei danni subiti. E' fatto riserva di tutti i diritti derivanti da brevetti o modelli.

Copying of this document and giving it to others and the use or communication of the contents thereof, are forbidden without express authority. Controvention of this restriction will constitute an evident abuse and result in a liability to the payment of damages. All rights are reserved in the event of the grant of patent or registration of a utility model or design. This document is the subject of copyright.

Toute communication ou reproduction de ce document, toute exploitation ou communication de son contenu sont interdites, sauf autorisation expresse. Tout manquement a cette regle constitue un abus evident et expose son auteur au versement de dommages et interets. Tous droits de propriete industrielle reserves, notamment en matiere de brevets et de modesles.

Weitergabe sowie Vervielfaeligung dieser Unterlage, Verwertung und Mitteilung ihres Inhalts nicht gestattet, soweit nicht ausdruecklich zugestanden. Zuwiderhandlungen stellen einen offensichtlichlichen Misbrauch dar und verpflichten zu Schadenersatz. Alle Rechte fuer den Fall der Patentierung oder Gebrauchsmuster-Eintragung vorbehalten.

1	2	3	4	5	6	7	8
A	B	C	D	E	F		
M12x1.5 tightening torque: 20 Nm (Max.24 Nm)	8	13	Hex.18	with o-ring	min.1		
Ⓒ		Ⓒ			Ⓒ		



Cleanliness requirement:

No particles >1mm allowed acc. to mandatory standard:  
JED-334 and JED-593

Area: for the whole part (Special agreements possible;  
to be agreed with Product Engineering)

Material:

- 1 CuZn
- 2 EPDM

Suitable for use in air brake systems for commercial vehicles

General Specification : JED-762 ; JED-622 ; JED-220

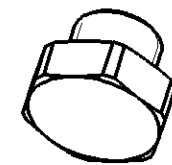
Engineering related agreements with Supplier have to be mentioned in the "Release of Supplier"

For use in application in compressed air systems in commercial vehicles :

- with compressed air acc. JED-848

- at working conditions:

- -40 °C ... 100 °C
- max. 12.5 bar Ⓒ



1:1

Ⓒ	General Specification: JED-334-1 , Size ISO 14405 LP		Copyright WABCO®		<b>WABCO</b> Screw Plug M12x1,5		
	Further Technical Data:		Date	Signature			
	Doc. Code:	Sheet: To	2020-03-26	Bolago			
	General Tolerances JED-261		Checked	2020-04-06			
	Range of Nominal Dimensions ( ± mm)				Expert		
Class	1)	≤ 50	> 50 ≤ 180	> 180 ≤ 400	> 400	±3°	
Fine	X	0.5	1.0	1.5	2.0		
Medium		1.0	2.0	3.0	4.0		
Coarse		2.0	3.5	5.0	6.5		
Tapped Holes acc. JED-152		Mass		Scale	Material No.		Date of first issue:
1) Tolerance Class Applied Crossmarked		0.014 KG		2:1 1:1	893 022 000 2		Doc.Code Language Sheet
		Size		CAD System	ECN-No.		Revision Techn. Resp.
		A 3		CREO	502083		6 x C 5790
					Replacement for		

100mm