

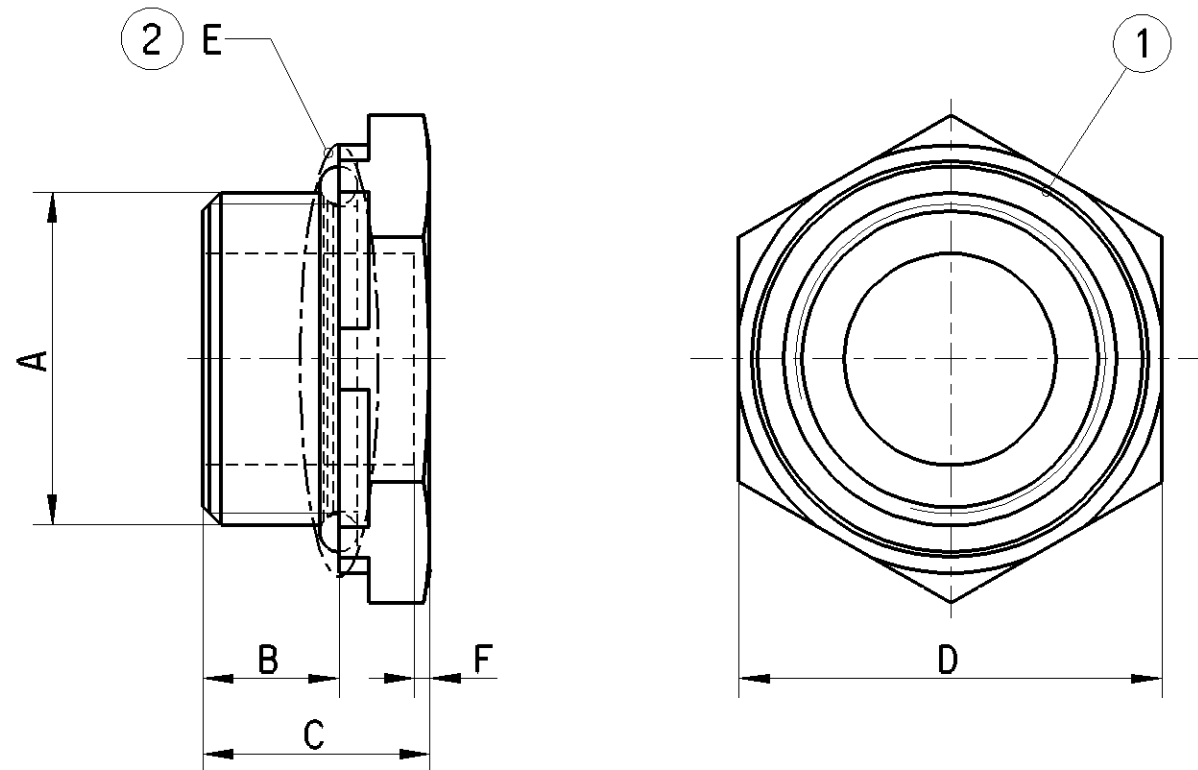
Non e permesso consegnare a terzi o riprodurre questo documento, ne utilizzare il contenuto o renderlo comunque noto a terzi senza autorizzazione esplicita. Ogni infrazione costituirà un evidente abuso e comporterà il risarcimento dei danni subiti. E' fatto riserva di tutti i diritti derivanti da brevetti o modelli.

Copying of this document and giving it to others and the use or communication of the contents thereof, are forbidden without express authority. Controvention of this restriction will constitute an evident abuse and result in a liability to the payment of damages. All rights are reserved in the event of the grant of patent or registration of a utility model or design. This document is the subject of copyright.

Toute communication ou reproduction de ce document, toute exploitation ou communication de son contenu sont interdites, sauf autorisation expresse. Tout manquement a cette regle constitue un abus evident et expose son auteur au versement de dommages et interets. Tous droits de propriete industrielle reserves, notamment en matiere de brevets et de modesles.

Weitergabe sowie Vervielfaeltigung dieser Unterlage, Verwertung und Mitteilung ihres Inhalts nicht gestattet, soweit nicht ausdruecklich zugestanden. Zuwiderhandlungen stellen einen offensichtlichlichen Misbrauch dar und verpflichten zu Schadenersatz. Alle Rechte fuer den Fall der Patentierung oder Gebrauchsmuster-Eintragung vorbehalten.

1	2	3	4	5	6	7	8
A	B	C	D	E	F		
M22x1.5 tightening torque: 34 Nm (max.40 Nm)	9	15	Hex.28	with o-ring	min.1		
					A		



Cleanliness requirement:

No particles >1mm allowed acc. to mandatory standard:
JED-334 and JED-593

Area: for the whole part (Special agreements possible;
to be agreed with Product Engineering)

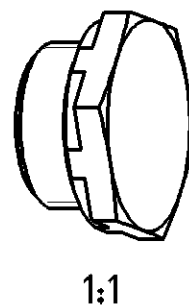
Material:

- 1 CuZn
- 2 EPDM

Suitable for use in air brake systems for commercial vehicles
General Specification : JED-762 ; JED-622 ; JED-220
Engineering related agreements with Supplier have to be mentioned in the "Release of Supplier"

For use in application in compressed air systems in commercial vehicles :

- with compressed air acc. JED-848
- at working conditions:
 - -40 °C ... 100 °C
 - max. 12.5 bar A



General Specification: JED-334-1, Size ISO 14405 LP		Copyright WABCO®		WABCO					
Further Technical Data:		Date	Signature						
Doc. Code:	Sheet:	To	Drawn		Screw Plug				
General Tolerances JED-261			2020-03-06	Bolago					
Range of Nominal Dimensions (± mm)			Checked						
Class 1)			2020-03-09	Szczulkowski					
			Expert						
			Szczulkowski						
Fine	X	0.5	1.0	1.5	2.0	Material No. 893 022 015 4	Date of first issue: 2015-10-05		
Medium		1.0	2.0	3.0	4.0		005	EN	1/1
Coarse		2.0	3.5	5.0	6.5				
Tapped Holes acc. JED-152			Mass	Scale	Date of first issue: 2015-10-05				
1) Tolerance Class Applied Crossmarked			0.034	2:1	Doc.Code Language Sheet				
			KG	(1:1)	005 EN 1/1				
			Size	CAD System	Replacement for				
			A 3	CREO	ECN-No.	Revision	Techn. Resp.		
					502083	4 x	A	5790	

100mm